



## Main

|                                    |                                  |
|------------------------------------|----------------------------------|
| Range of product                   | Telemecanique Cabling components |
| Accessory / separate part category | Cabling accessory                |
| Accessory / separate part type     | Pre-wired connectors             |
| Series name                        | General purpose                  |

## Complementary

|                                |                                      |
|--------------------------------|--------------------------------------|
| Electrical connection          | Elbowed female connector M12, 4 pins |
| Cable connector fixing         | Screw-on                             |
| Collar material                | Metal                                |
| Status LED                     | Without                              |
| Cable length                   | 5 M                                  |
| Cable outer diameter           | 5.2 Mm                               |
| Cable composition              | 4 x 0.34 mm <sup>2</sup>             |
| Wire insulation material       | PUR                                  |
| [Ue] rated operational voltage | 250 V AC<br>300 V DC                 |
| [In] rated current             | 4 A                                  |
| Contact resistance             | 5000 MOhm                            |
| Minimum insulating resistance  | 1 GΩ                                 |
| Net weight                     | 0.19 Kg                              |

## Environment

|                                       |  |
|---------------------------------------|--|
| IP degree of protection               | IP65<br>IP67<br>IP69K                    |
| Product certifications                | CULus                                    |
| Ambient air temperature for operation | -40...80 °C static<br>-5...80 °C flexing |
| Ambient air temperature for storage   | -40...80 °C                              |

## Packing Units

|                              |         |
|------------------------------|---------|
| Unit Type of Package 1       | PCE     |
| Number of Units in Package 1 | 1       |
| Package 1 Weight             | 155 G   |
| Package 1 Height             | 2 Cm    |
| Package 1 width              | 18.5 Cm |

|                              |          |
|------------------------------|----------|
| Package 1 Length             | 19 Cm    |
| Unit Type of Package 2       | S02      |
| Number of Units in Package 2 | 20       |
| Package 2 Weight             | 3.428 Kg |
| Package 2 Height             | 15 Cm    |
| Package 2 width              | 30 Cm    |
| Package 2 Length             | 40 Cm    |
| Unit Type of Package 3       | P06      |
| Number of Units in Package 3 | 320      |
| Package 3 Weight             | 55.6 Kg  |
| Package 3 Height             | 77 Cm    |
| Package 3 width              | 80 Cm    |
| Package 3 Length             | 60 Cm    |

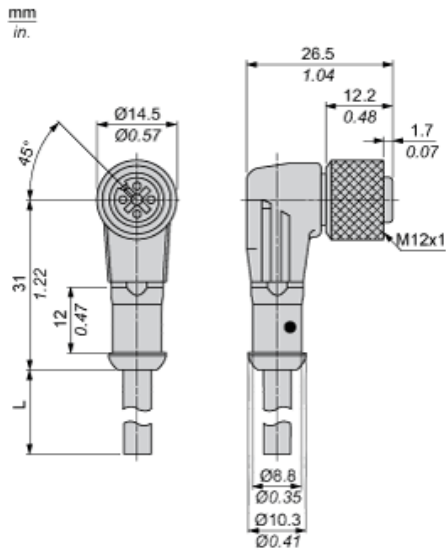
### Offer Sustainability

|                            |  |
|----------------------------|--|
| Sustainable offer status   | Green Premium product  |
| EU RoHS Directive          | Pro-active compliance (Product out of EU RoHS legal scope) <a href="#">EU RoHS Declaration</a> |
| Mercury free               | Yes  |
| RoHS exemption information | <a href="#">Yes</a>  |
| Environmental Disclosure   | <a href="#">Product Environmental Profile</a>  |
| Circularity Profile        | <a href="#">End Of Life Information</a>  |

### Contractual warranty

|          |           |
|----------|-----------|
| Warranty | 18 months |
|----------|-----------|

Dimensions



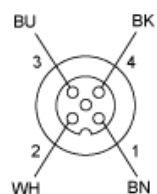
L : Length of cable

---

## Connections and Schemes

---

### Connector



BN : Brown  
BK : Black  
BU : Blue  
WH : White

|                       |                |
|-----------------------|----------------|
| Product Life Status : | Commercialised |
|-----------------------|----------------|