



Main

Range of product	Telemecanique Photoelectric sensors XU
Accessory / separate part category	Mounting and fixing accessory
Accessory / separate part type	Fixing bracket
Product or component type	Fixing bracket
Accessory / separate part destination	Compact sensor 50 x 50 mm
Material	Metal

Complementary

Product compatibility	XUK
Net weight	0.05 Kg

Packing Units

Unit Type of Package 1	PCE
Number of Units in Package 1	1
Package 1 Weight	62 G
Package 1 Height	6 Cm
Package 1 width	2.5 Cm
Package 1 Length	6 Cm
Unit Type of Package 2	S01
Number of Units in Package 2	50
Package 2 Weight	3.647 Kg
Package 2 Height	15 Cm
Package 2 width	15 Cm
Package 2 Length	40 Cm

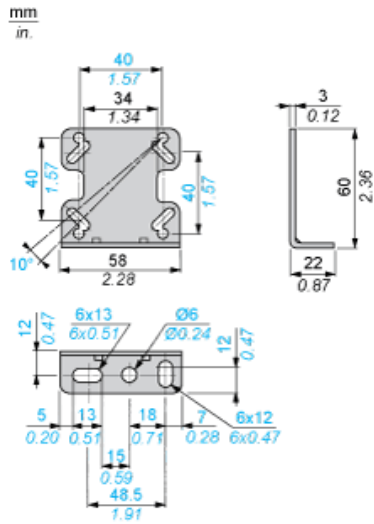
Offer Sustainability

Sustainable offer status	Green Premium product
EU RoHS Directive	Pro-active compliance (Product out of EU RoHS legal scope) EU RoHS Declaration
Mercury free	Yes
RoHS exemption information	Yes
Environmental Disclosure	Product Environmental Profile
Circularity Profile	End Of Life Information

Contractual warranty

Warranty	18 months
----------	-----------

Dimensions



Product Life Status : **Commercialised**