



### Main

Range of product	Modicon STB distributed I/O solution
Product or component type	BOS internal bus extension kit

### Complementary

Kit composition	STBXBE1300 BOS module STBXTS2120, 2-terminal spring clamp connector STBXBA2300 size 2 base STBXTS1120, 2-terminal screw type connector
Mounting location	Beginning of extension segment
Product compatibility	Standard STB modules
[Us] rated supply voltage	24 V
Supply circuit type	DC
Supply voltage limits	19.2...30 V
Input current	400 MA
Output voltage	5.25 V +/- 0.21 % logic bus
Output voltage type	DC
Power supply output current	1.2 A
Electrical connection	2 pins for removable connector for power supply Firewire for interface
Marking	CE
Overvoltage category	II

### Environment

Electromagnetic compatibility	Immunity to electromagnetic interference conforming to IEC 61131-2
Product certifications	FM Class 1 Division 2 UL CSA
Pollution degree	2 conforming to IEC 60664-1
Operating altitude	<= 2000 m
IP degree of protection	IP20 conforming to EN 61131-2 class 1
Ambient air temperature for storage	-40...85 °C
Relative humidity	95 % at 60 °C without condensation
Vibration resistance	3 gn at 58...150 Hz on 35 x 7.5 mm symmetrical DIN rail 5 gn at 58...150 Hz on 35 x 15 mm symmetrical DIN rail +/-0.35 mm at 10...58 Hz
Shock resistance	30 gn for 11 ms conforming to IEC 88 reference 2-27

## Packing Units

Unit Type of Package 1	PCE
Number of Units in Package 1	1
Package 1 Weight	126 G
Package 1 Height	2.5 Cm
Package 1 width	8 Cm
Package 1 Length	13 Cm
Unit Type of Package 2	S02
Number of Units in Package 2	42
Package 2 Weight	5.67 Kg
Package 2 Height	15 Cm
Package 2 width	30 Cm
Package 2 Length	40 Cm

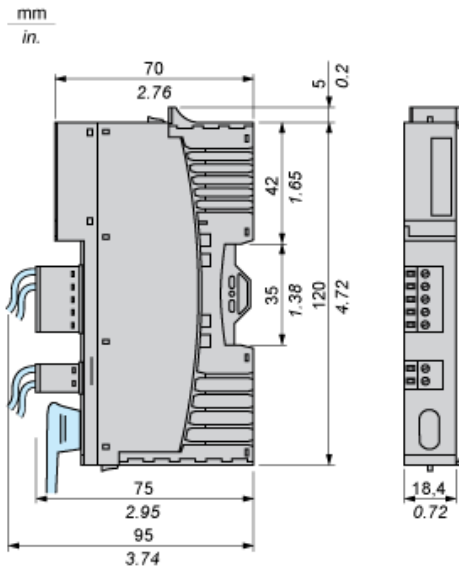
## Offer Sustainability

Sustainable offer status	Green Premium product
REACH free of SVHC	Yes
EU RoHS Directive	Pro-active compliance (Product out of EU RoHS legal scope) <a href="#">EU RoHS Declaration</a>
China RoHS Regulation	<a href="#">China RoHS Declaration</a>
Environmental Disclosure	<a href="#">Product Environmental Profile</a>
Circularity Profile	<a href="#">End Of Life Information</a>

## Contractual warranty

Warranty	18 months
----------	-----------

## Dimensions



Product Life Status : Commercialised