



### Main

Range of product	Modicon STB distributed I/O solution
Product or component type	Basic digital output kit
Kit composition	STBXBA3000 base STBXTS2180, 18-terminal spring clamp connector STBDDO3705 module
Discrete output number	16
Discrete output type	Solid state
Discrete output voltage	24 V
Discrete output voltage type	DC

### Complementary

Discrete output current	500 mA
Discrete output logic	Positive
Output voltage	19.2...30 V DC
Absolute maximum voltage	35 V 1.3 ms
Response time	2 ms off-to-on 2 ms on-to-off
Cold swapping	Yes
Hot swapping fallback	No for basic NIMs
Protection type	Power protection integrated fuse on PDM time lag 5 A Reverse polarity protection Short-circuit protection Thermal overload protection
Insulation between channels and logic bus	1500 V for 1 minute
Maximum leakage current	0.4 MA at state 0 30 V
Maximum load capacitance	10 MF
Maximum load inductance	1000 MH at 4 Hz
Reset	Manual reset COM fault
Product compatibility	Power distribution module STBPDT3100/3105 I/O base STBXBA3000
[Us] rated supply voltage	24 V DC
Supply	Power distribution module
Current consumption	135 mA at 5 V DC for logic bus
Marking	CE
Overvoltage category	II
Status LED	1 LED (green)module status (RDY) 1 LED per channel (green)channel status (OUT1 to OUT16)
Height	13.9 Mm
Depth	70 Mm

Width	128.3 Mm
Net weight	0.086 Kg

## Environment

Standards	EN/IEC 61131-2
Product certifications	FM Class 1 Division 2 CSA UL
Pollution degree	2 conforming to IEC 60664-1
Operating altitude	<= 2000 m
IP degree of protection	IP20 conforming to EN 61131-2 class 1
Ambient air temperature for operation	0...60 °C (without derating)
Ambient air temperature for operation	32...140 °F without derating
Ambient air temperature for storage	-40...85 °C without derating
Ambient air temperature for storage	-40...185 °F without derating
Relative humidity	95 % at 60 °C without condensation
Vibration resistance	3 gn at 58...150 Hz on 35 x 7.5 mm symmetrical DIN rail 5 gn at 58...150 Hz on 35 x 15 mm symmetrical DIN rail +/-0.35 mm at 10...58 Hz
Shock resistance	30 gn for 11 ms conforming to IEC 88 reference 2-27

## Packing Units

Unit Type of Package 1	PCE
Number of Units in Package 1	1
Package 1 Weight	194 G
Package 1 Height	3.8 Cm
Package 1 width	8.1 Cm
Package 1 Length	13.1 Cm
Unit Type of Package 2	S02
Number of Units in Package 2	20
Package 2 Weight	4.412 Kg
Package 2 Height	15 Cm
Package 2 width	30 Cm
Package 2 Length	40 Cm

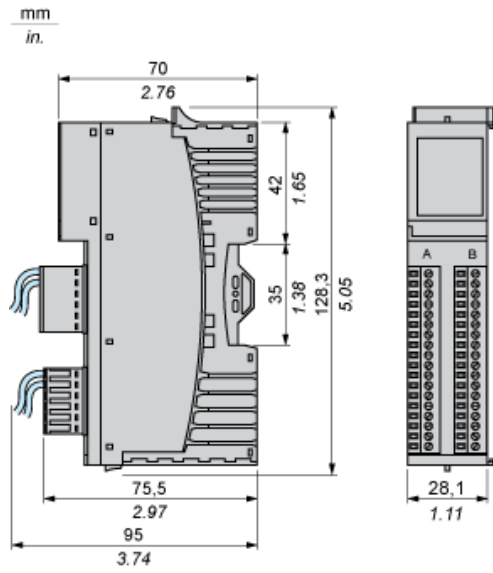
## Offer Sustainability

Sustainable offer status	Green Premium product
EU RoHS Directive	Pro-active compliance (Product out of EU RoHS legal scope) <a href="#">EU RoHS Declaration</a>
Mercury free	Yes
RoHS exemption information	<a href="#">Yes</a>
China RoHS Regulation	<a href="#">China RoHS Declaration</a>
Environmental Disclosure	<a href="#">Product Environmental Profile</a>
Circularity Profile	<a href="#">End Of Life Information</a>
WEEE	The product must be disposed on European Union markets following specific waste collection and never end up in rubbish bins

## Contractual warranty

Warranty	18 months
----------	-----------

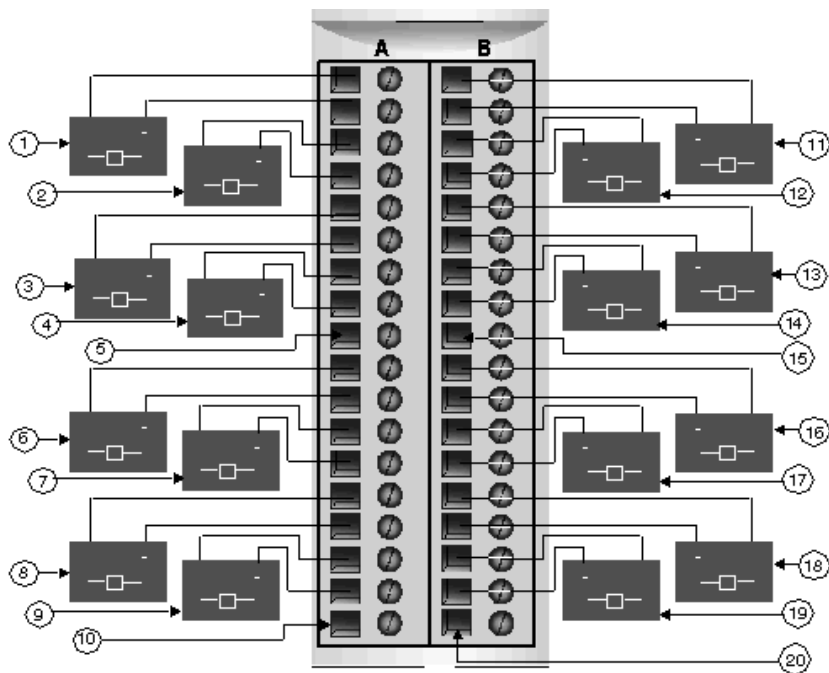
Dimensions



Wiring Diagram

Example

16 two-wire actuators



#	Group 1	#	Group 2
1	Channel 1, Connector A, Actuator	11	Channel 1, Connector B, Actuator
2	Channel 2, Connector A, Actuator	12	Channel 2, Connector B, Actuator
3	Channel 3, Connector A, Actuator	13	Channel 3, Connector B, Actuator
4	Channel 4, Connector A, Actuator	14	Channel 4, Connector B, Actuator
5	Pin 9, Connector A (not used)	15	Pin 9, Connector B (not used)
6	Channel 5, Connector A, Actuator	16	Channel 5, Connector B, Actuator
7	Channel 6, Connector A, Actuator	17	Channel 6, Connector B, Actuator
8	Channel 7, Connector A, Actuator	18	Channel 7, Connector B, Actuator
9	Channel 8, Connector A, Actuator	19	Channel 8, Connector B, Actuator
10	Pin 18, Connector A (not used)	20	Pin 18, Connector B (not used)

Product Life Status : Commercialised