

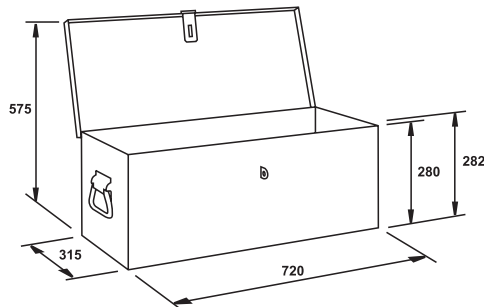
# METALLIC JOBSITE BOX

EGA Master chests are specially designed for use in even the most harsh conditions, such as those found in construction or any fields that require the use of large tools.

**Four sizes are available, to match the requirements of the user.** The long lasting powder coated finish is very resistant and ready for use in demanding conditions.



**80 Kg Max.**

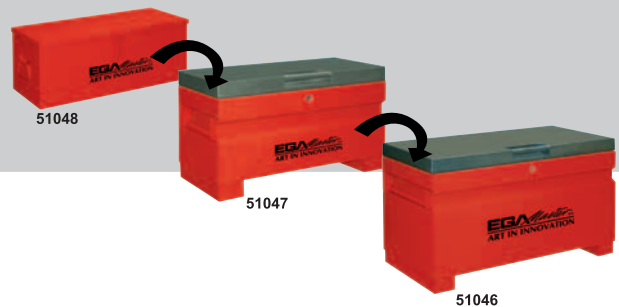


**1. Made of high quality steel.**

**2. Suitable for use with a padlock for security.**

**3. Side handles.**

**4. EGA Master chests are specially designed so that the smaller chest can be fitted inside the larger chest.** Code 51048 inside code 51047 • Code 51047 inside 51046. This feature will enable reduced transportation costs and more efficient use of storage space.



| COD   | LxWxH       | Overall thickness | MAX | MAX |
|-------|-------------|-------------------|-----|-----|
| 51048 | 720x315x282 | 1,5mm             | 80  | 13  |