

METALLIC JOBSITE BOX WITH WHEELS

The EGA Master chest with wheels is specially designed for use in the harshest conditions, such as those found in construction and any areas requiring the use of large tools. **Two sizes are available, to match the requirements of the user.** The finish is very resistant and ready for demanding conditions, with a long lasting powder coating.



1. Central locking system (2keys).



2. Made of high quality steel.

3. The code 50991 includes a pneumatic piston system on both sides of the chest to hold the lid, enabling easy opening and closing.



4. Side handles.

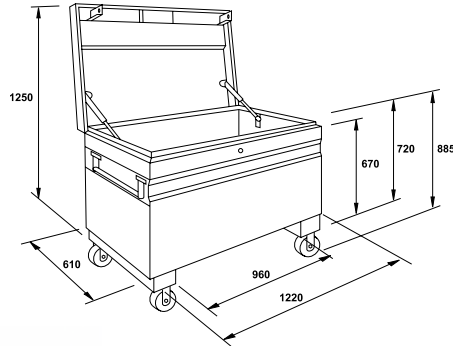
5. They can be easily carried by pallet thanks to the special leg design.

6. The wheels facilitate the comfortable movement of the chest by the user.

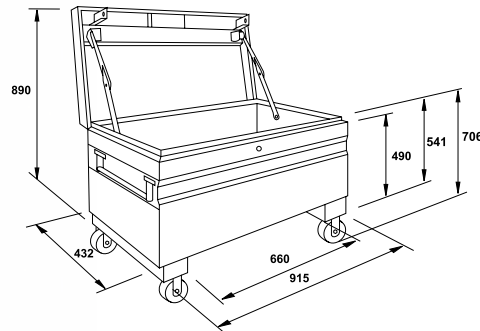
PLACING THE WHEELS



METALLIC JOBSITE BOX WITH WHEELS



COD	LxWxH	Overall thickness	Base thickness	Kg. MAX	Kg.
50991	1220x610x885	1,5mm	2,5mm	300	65



COD	LxWxH	Overall thickness	Base thickness	Kg. MAX	Kg.
50992	915x432x706	1,5mm	2,5mm	200	40