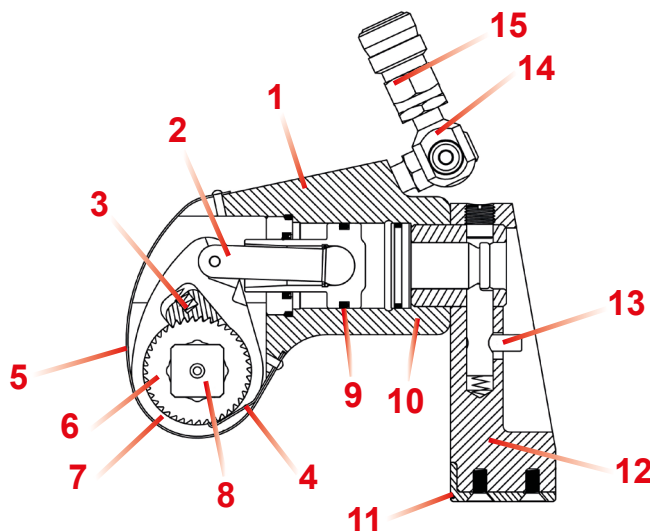


HYDRAULIC TORQUE WRENCHES

EGA Master's hydraulic torque wrenches have been designed for controlled tightening of nut-bolt connections. The remotely controlled hydraulic flow and pressure supplied by EGA Master hydraulic power units provide the rotation of the nut on the bolt.



The assortment of square drive (to use with impact socket wrenches) and hexagonal cassettes (not require additional sockets) hydraulic torque wrenches allows tightening of a very wide range of nut sizes, both in millimeters and inches. Their small dimensions and high durability make them the perfect tool for several sectors: petrochemical industry, wind sector, power generation, naval sector, etc.

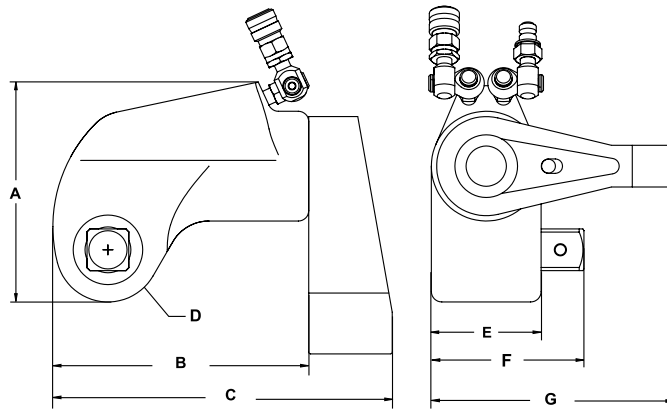
SQUARE DRIVE TORQUE WRENCHES



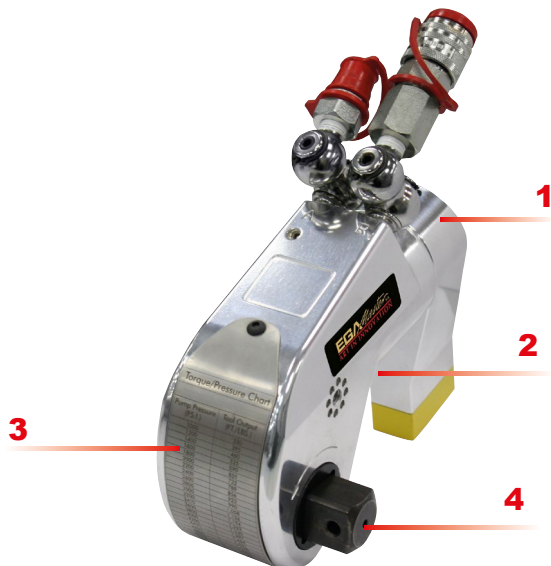
- 1. Mono-body housing**
- 2. Balanced drive rod**
Wide load-free piston movement
- 3. Multi-tooth drive segment**
Ensures up to 27 degree torque stroke
- 4. Anti-back lash mechanism**
Provides hands free operation
- 5. Laser engraved torque chart**
No more searching for charts
- 6. Multi-tooth ratchet**
Strong Vascomax teeth provide strength, accuracy and 27 degree torque stroke
- 7. One piece drive plate**
One piece Vascomax drive plate provides longer life and increased durability
- 8. Push-through drive**
Simply push to switch from loosen to tighten
- 9. Single seal piston**
Assures extended maintenance free operation
- 10. Direct housing reaction**
Allows use of tool without reaction arm
- 11. Steel reaction boot**
Field replaceable feature protects reaction arm
- 12. Long length reaction arm**
Allows for reaction on all applications
- 13. Reaction arm release button**
Protected within reaction arm housing
- 14. 360° x 360° swivel**
Allows hose to be cleared on all applications
- 15. No drip quick connect couplers**
Assures easy and safe operation
- 16. Steel alloy piston**
Robust composition allows for longer operation cycle

SQUARE DRIVE HYDRAULIC TORQUE WRENCHES

COD		N.m	Ft.lbs	 Kg.	Accuracy	Repit.	Cicle
56578	3/4"	172-1722	127-1270	1,7	±3%	100%	100%
56572	1"	447-4514	330-3330	4,0			
56579	1.1/2"	1003-10031	740-7400	8,5			
56580		1491-14925	1100-11010	13			
56581	2.1/2"	2630-27964	1940-20625	28			
56582		3687-36872	2720-27200	32			
56583		7862-78625	5800-58000	60			



COD	A (mm)	B (mm)	C (mm)	D (mm)	E (mm)	F (mm)	G (mm)
56578	105	120	160	25	50	70	110
56572	135	155	210	33	65	95	150
56579	180	210	280	45	90	130	200
56580	200	230	310	49	100	140	220
56581	230	240	410	60	125	180	280
56582	260	310	410	65	135	190	300
56583	290	390	520	80	165	230	360

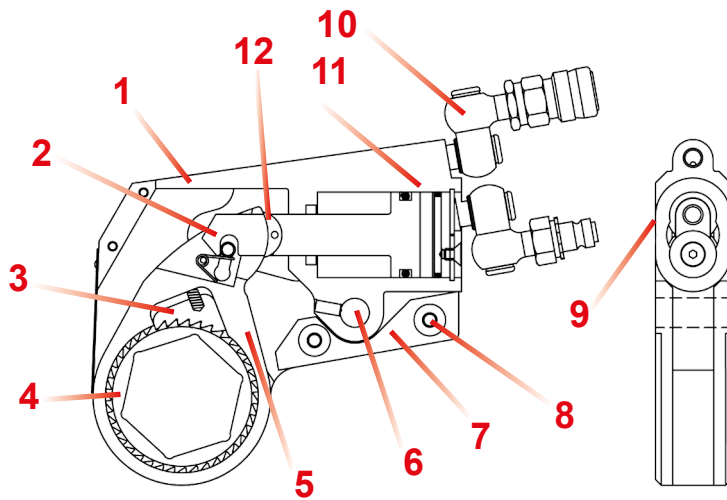


- 1.** 360° swivel reaction arm for a correct fitting on any application.
- 2.** Allows the use of the tool without reaction arm.
- 3.** Laser engraved torque chart for faster access.
- 4.** Allows quick change of direction pushing the square drive, without additional tools.

TORQUE CONVERSION CHART

P.S.I	COD. 56578	COD. 56572	COD. 56579	COD. 56580	COD. 56581	COD. 56582	COD. 56583	Bar	COD. 56578	COD. 56572	COD. 56579	COD. 56580	COD. 56581	COD. 56582	COD. 56583
	Ft.-lbs.	Ft.-lbs.	Ft.-lbs.	Ft.-lbs.	Ft.-lbs.	Ft.-lbs.	Ft.-lbs.		N.M	N.M	N.M	N.M	N.M	N.M	N.M
1,000	132	347	790	1198	2249	3032	6202	69	179	470	1071	1624	3049	4111	8409
1,200	159	414	947	1433	2683	3606	7422	83	215	561	1284	1943	3638	4889	10062
1,400	185	481	1104	1668	3118	4180	8641	97	251	652	1497	2262	4227	5668	11716
1,600	212	547	1262	1904	3552	4755	9861	110	287	742	1710	2581	4816	6446	13369
1,800	238	614	1419	2139	3987	5329	11080	124	323	833	1924	2900	5405	7225	15023
2,000	265	681	1576	2374	4421	5903	12300	138	359	923	2137	3219	5994	8003	16677
2,200	292	748	1734	2612	4847	6469	13477	152	396	1015	2351	3541	6572	8771	18272
2,400	319	816	1892	2850	5273	7035	14654	165	433	1106	2565	3864	7150	9538	19868
2,600	346	883	2050	3088	5700	7600	15831	179	469	1197	2779	4187	7728	10305	21464
2,800	373	951	2208	3326	6126	8166	17008	193	506	1289	2994	4509	8305	11072	23060
3,000	400	1018	2366	3564	6552	8732	18185	207	542	1380	3208	4832	8883	11839	24656
3,200	427	1085	2525	3802	6974	9302	19378	221	579	1471	3423	5155	9455	12612	26273
3,400	454	1152	2683	4041	7396	9873	20571	234	616	1562	3638	5479	10028	13386	27890
3,600	481	1220	2842	4279	7818	10443	21763	248	652	1654	3853	5802	10600	14159	29507
3,800	508	1287	3000	4518	8240	11014	22956	262	689	1745	4068	6125	11172	14932	31124
4,000	535	1354	3159	4756	8662	11584	24149	276	725	1836	4283	6448	11744	15706	32742
4,200	561	1421	3317	4990	9077	12137	25344	290	761	1926	4497	6766	12306	16455	34361
4,400	588	1487	3475	5225	9492	12690	26538	303	797	2016	4711	7084	12869	17205	35981
4,600	614	1554	3632	5459	9906	13242	27733	317	833	2107	4925	7402	13431	17954	37601
4,800	641	1620	3790	5694	10321	13795	28927	331	869	2197	5139	7719	13994	18704	39220
5,000	667	1687	3948	5928	10736	14348	30122	345	904	2287	5353	8037	14556	19453	40840
5,200	694	1754	4106	6164	11158	14911	31317	359	941	2379	5568	8357	15128	20217	42460
5,400	721	1822	4265	6400	11580	15474	32511	372	977	2470	5782	8677	15700	20980	44079
5,600	747	1889	4423	6635	12002	16037	33706	386	1013	2561	5997	8996	16273	21743	45699
5,800	774	1957	4582	6871	12424	16600	34900	400	1050	2653	6212	9316	16845	22507	47319
6,000	801	2024	4740	7107	12846	17163	36095	414	1086	2744	6427	9636	17417	23270	48938
6,200	828	2092	4901	7348	13271	17720	37293	427	1123	2837	6645	9963	17993	24026	50562
6,400	855	2160	5063	7589	13696	18278	38491	441	1160	2929	6864	10290	18569	24781	52186
6,600	883	2229	5224	7831	14120	18835	39688	455	1197	3022	7083	10617	19145	25537	53810
6,800	910	2297	5386	8072	14545	19393	40886	469	1234	3114	7302	10944	19721	26293	55434
7,000	937	2365	5547	8313	14970	19950	42084	483	1270	3207	7521	11271	20297	27049	57058
7,200	964	2432	5705	8547	15388	20510	43282	496	1306	3297	7735	11588	20863	27807	58683
7,400	990	2499	5863	8781	15806	21069	44480	510	1343	3388	7949	11905	21430	28566	60307
7,600	1017	2565	6021	9015	16223	21629	45678	524	1379	3478	8163	12223	21996	29325	61931
7,800	1043	2632	6179	9249	16641	22188	46876	538	1415	3569	8378	12540	22562	30083	63555
8,000	1070	2699	6337	9483	17059	22748	48074	552	1451	3659	8592	12857	23129	30842	65180
8,200	1098	2769	6505	9727	17492	23308	49272	565	1488	3754	8820	13188	23716	31601	66804
8,400	1126	2838	6674	9971	17925	23868	50470	579	1526	3848	9048	13518	24302	32360	68428
8,600	1153	2908	6842	10214	18357	24427	51667	593	1564	3942	9277	13849	24889	33119	70052
8,800	1181	2977	7011	10458	18790	24987	52865	607	1601	4037	9505	14179	25476	33878	71676
9,000	1209	3047	7179	10702	19223	25547	54063	621	1639	4131	9733	14510	26063	34637	73300
9,200	1236	3115	7342	10943	19653	26106	55260	634	1676	4223	9954	14837	26645	35395	74922
9,400	1263	3183	7505	11184	20082	26665	56456	648	1713	4316	10175	15164	27228	36153	76544
9,600	1291	3251	7668	11426	20512	27225	57653	662	1750	4408	10396	15491	27810	36912	78167
9,800	1318	3319	7831	11667	20941	27784	58849	676	1787	4500	10617	15818	28393	37670	79789
10,000	1345	3387	7994	11908	21371	28343	60046	689	1824	4592	10838	16145	28975	38428	81411

HEXAGONAL TORQUE WRENCHES



1. "Peanut-shaped" cylinder
Fit both the cylinder and link in confined areas

2. Engagement rod
Automatically engages link on the first stroke

3. Never-lock drive paw
Ensures tool will never lock on

4. Multi-tooth ratchet
Allows for 27 degree torque stroke accuracy

5. One piece drive plate
Robust alloy provides for small nose radius

6. Link pin
One pin for link to cylinder engagement, no tools required

7. In-line reaction pad
Assures free reaction every time

8. Steel alignment pin
Assures equal load displacement between side plates

9. Completely flat design
Cylinder and link width are equal for tight fits

10. 360° x 360° swivel
Allows hose to be cleared on all applications

11. Proprietary piston seal
Provides years of maintenance free use

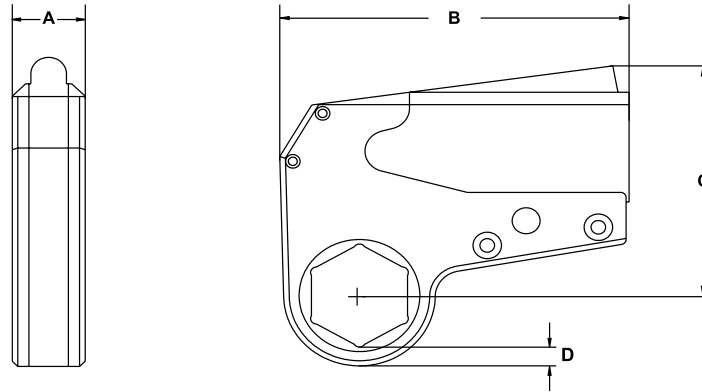
12. Slider
Prevents wear of piston and drive plate and reduces cost of repairs

DRIVE UNIT

COD	N.m	Ft.lbs	Kg.	Kg.	Accuracy	Repit.	Cicle
56586	61-759	45-560	0,5	0,5			
56573	260-2614	192-1928	1,5	1,0 - 1,5			
56587	535-5335	395-3950	2,7	2,4 - 3,4			
56588	1125-11699	830-8630	5	5,5 - 6,5	±3%	100%	100%
56589	2115-22503	1560-16600	7,5	9,5 - 13			
56590	4365-48335	3220-35650	12	13 - 18			
56591	6575-64239	4850-47380	13	13 - 18			

*cassete not included

HEXAGONAL HYDRAULIC TORQUE WRENCHES

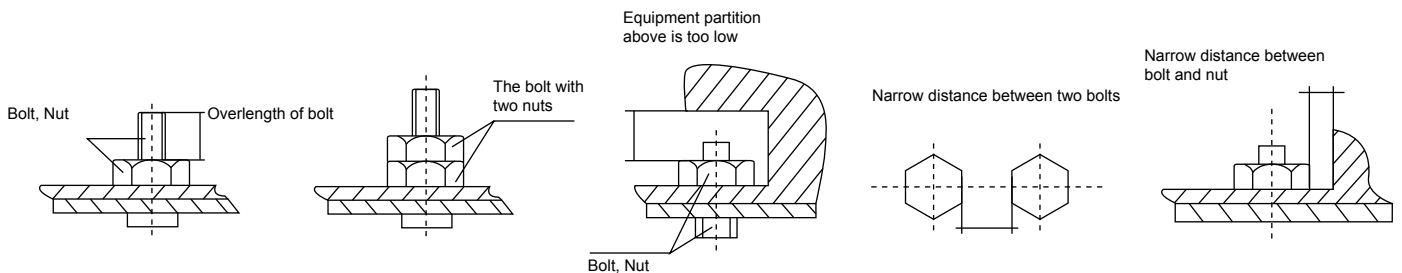


COD	A (mm)	B (mm)	C (mm)	D (mm)
56586	20	110	85	6
56573	32	165	100	9
56587	41	200	145	12
56588	50	260	180	14
56589	65	330	195	17
56590	80	400	240	24
56591	125	430	260	24



- 1.** Without tools. The pin can be easily removed to change the cassette.
- 2.** Small nose radius to use in small spaces.
- 3.** Compact size for use in inaccessible places.

SOME SITUATIONS WHERE HEXAGONAL TORQUE WRENCHES CAN BE USEFUL



HEXAGONAL LINKS



COD	mm	inch.
56594		1/2"
56595	13mm	
56596		9/16"
56597	14mm	
56598		5/8"
56599	15mm	
56600	17mm	
56601		11/16"
56602	19mm	3/4"
56603		13/16"
56604	21mm	
56605	22mm	7/8"
56606		15/16"
56607	24mm	
56608		1"
56609	27mm	1.1/16"
56610		1.1/8"
56611	30mm	1.3/16"
56612		1.1/4"
56613	32mm	
56614		1.5/16"
56615	35mm	1.3/8"
56616	36mm	
56617		1.7/16"
56618	38mm	1.1/2"
56619		1.9/16"
56620	41mm	1.5/8"
56621	19mm	3/4"
56622		13/16"
56623	22mm	7/8"
56624		15/16"
56625	24mm	
56626		1"
56627	27mm	1.1/16"
56628		1.1/8"
56629	30mm	1.3/16"
56630	32mm	1.1/4"
56631		1.5/16"
56632	35mm	1.3/8"
56633	36mm	
56634		1.7/16"
56574	38mm	1.1/2"
56636		1.9/16"
56637	41mm	1.5/8"
56638		1.11/16"

COD	mm	inch.
56639		1.3/4"
56640	46mm	1.13/16"
56641		1.7/8"
56642	49mm	1.15/16"
56643	50mm	
56644		2"
56645		2.1/16"
56646	55mm	2.3/16"
56647		2.1/4"
56648		2.5/16"
56649	60mm	2.3/8"
56650		2.7/16"
56651		2.1/2"
56652		2.9/16"
56653		1"
56654	27mm	1.1/16"
56655		1.1/8"
56656	30mm	1.3/16"
56657		1.1/4"
56658	32mm	
56659		1.5/16"
56660	35mm	1.3/8"
56661	36mm	
56662		1.7/16"
56663	38mm	1.1/2"
56664		1.9/16"
56665	41mm	1.5/8"
56666		1.11/16"
56667		1.3/4"
56668	46mm	1.13/16"
56669		1.7/8"
56670	49mm	1.15/16"
56671	50mm	
56672		2"
56673		2.1/16"
56674		2.1/8"
56675	55mm	2.3/16"
56676		2.1/4"
56677		2.5/16"
56678	60mm	2.3/8"
56679		2.7/16"
56680		2.1/2"
56681	65mm	2.9/16"
56682		2.5/8"
56683		2.11/16"
56684		2.11/16"

COD	mm	inch.
56685	70mm	2.3/4"
56686		2.13/16"
56687		2.7/8"
56688	75mm	2.15/16"
56689		3"
56690		3.1/16"
56691		3.1/8"
56692		1.7/8"
56693	49mm	1.15/16"
56694	50mm	
56695		2"
56696		2.1/16"
56697		2.1/8"
56698	55mm	2.3/16"
56699		2.1/4"
56700		2.5/16"
56701	60mm	2.3/8"
56702		2.7/16"
56703		2.1/2"
56704	65mm	2.9/16"
56705		2.5/8"
56706		2.11/16"
56707	70mm	2.3/4"
56708		2.13/16"
56709		2.7/8"
56710	75mm	2.15/16"
56711		3"
56712	80mm	3.1/16"
56713		3.1/8"
56714		3.3/16"
56715		3.1/4"
56716		3.5/16"
56717		3.9/16"
56718	85mm	
56719		3.3/8"
56720		3.7/16"
56721		3.1/2"
56722	90mm	
56723		3.5/8"
56724		3.11/16"
56725		3.3/4"
56726	95mm	3.13/16"
56727		3.7/8"
56728		3.15/16"
56729	100mm	3.15/16"
56730		4"
56731		4.1/16"
56732	105mm	4.1/8"

HEXAGONAL LINKS



COD	mm	inch.
56733	55mm	2.3/16"
56734		2.1/4"
56735		2.5/16"
56736	60mm	2.3/8"
56737		2.7/16"
56738		2.1/2"
56739	65mm	2.9/16"
56740		2.5/8"
56741		2.11/16"
56742	70mm	2.3/4"
56743		2.13/16"
56744		2.7/8"
56745	75mm	2.15/16"
56746		3"
56747		3.1/16"
56748		3.1/8"
56749	80mm	
56750		3.3/16"
56751		3.1/4"
56752		3.5/16"
56753	85mm	
56754		3.3/8"
56755		3.7/16"
56756		3.1/2"
56757	90mm	
56758		3.9/16"
56759		3.5/8"
56760		3.11/16"
56761	95mm	3.3/4"
56762		3.13/16"
56763		3.7/8"
56764	100mm	3.15/16"
56765		4"
56766		4.1/16"
56767	105mm	4.1/8"
56768		4.3/16"
56769		4.1/4"
56770		4.5/16"
56771	110mm	
56772		4.3/8"
56773		4.7/16"
56774		4.1/2"
56775	115mm	
56776		4.9/16"
56777		4.5/8"
56778		4.11/16"
56779	120mm	
56780		4.3/4"
56781		4.13/16"

COD	mm	inch.
56782		4.7/8"
56783	125mm	
56784		4.15/16"
56785		5"
56786	56589	5.1/16"
56787	130mm	5.1/8"
56788		5.3/16"
56789		5.1/4"
56790	135mm	5.5/16"
56791		3.1/8"
56792	80mm	
56793		3.3/16"
56794		3.1/4"
56795		3.5/16"
56796	85mm	
56797		3.3/8"
56798		3.7/16"
56799		3.1/2"
56800	90mm	
56801		3.9/16"
56802		3.5/8"
56803		3.11/16"
56804	95mm	3.3/4"
56805		3.13/16"
56806		3.7/8"
56807	100mm	3.15/16"
56808		4"
56809		4.1/16"
56810	56590	105mm 4.1/8"
56811	56591	4.3/16"
56812		4.1/4"
56813		4.5/16"
56814	110mm	
56815		4.3/8"
56816		4.7/16"
56817		4.1/2"
56818	115mm	
56819		4.9/16"
56820		4.5/8"
56821		4.11/16"
56822	120mm	
56823		4.3/4"
56824		4.13/16"
56825		4.7/8"
56826	125mm	
56827		4.15/16"
56828		5"
56829		5.1/16"
56830	130mm	5.1/8"

COD	mm	inch.
56831		5.3/16"
56832		5.1/4"
56833	135mm	5.5/16"
56834		5.3/8"
56835		5.7/16"
56836	140mm	5.1/2"
56837		5.9/16"
56838		5.5/8"
56839		5.11/16"
56840	145mm	
56841		5.3/4"
56842		5 13/16"
56843		5.7/8"
56844	150mm	
56845		5.15/16"
56846		6"
56847		6.1/16"
56848	155mm	
56849		6.1/8"
56850		6.3/16"
56851		6.1/4"
56852	160mm	
56853		6.5/16"
56854		6.3/8"
56855		6.7/16"
56856	56590	165mm 6.1/2"
56857	56591	6.9/16"
56858		6.5/8"
56859	170mm	6.11/16"
56860		6.3/4"
56861		6.13/16"
56862		6.7/8"
56863	175mm	
56864		6.15/16"
56865		7"
56866		7.1/16"
56867	180mm	
56868		7.1/8"
56869		7.3/16"
56870		7.1/4"
56871	185mm	
56872		7.5/16"
56873		7.3/8"
56874		7.7/16"
56875	190mm	
56876		7.1/2"
56877		7.9/16"
56878		7.5/8"
56879	195mm	7.11/16"
56880		7.3/4"
56881		7.13/16"
56882	200mm	7.7/8"

TORQUE CONVERSION CHART

Bar	56586			56573			56587		56588		
	7/8" - 1 1/8" 22-28 mm	1 3/16"- 1 5/8" 29-41 mm	1 11/16"- 2" 42-50 mm	3/4"- 1 13/16" 19-46 mm	1 7/8"- 2 9/16" 47-65 mm	2 5/8"- 2 15/16" 67-75 mm	1"- 2 9/16" 25 - 65 mm	2 5/8"- 3 1/8" 66-79 mm	1 7/8"- 3 1/8" 47-79 mm	3 3/16"- 3 9/16" 80-90 mm	3 5/8"- 4 5/8" 92-117 mm
	N.M	N.m	N.m	N.m	N.m	N.m	N.m	N.m	N.m	N.m	N.m
69	75	96	107	274	321	347	572	644	1080	1142	1325
83	87	112	125	326	382	412	681	766	1297	1371	1592
97	100	128	143	378	442	477	790	888	1515	1600	1858
110	112	144	160	429	503	543	898	1011	1732	1830	2124
124	125	160	178	481	563	608	1007	1133	1949	2059	2391
138	137	176	196	532	624	673	1116	1255	2166	2289	2657
152	150	192	214	586	686	740	1228	1382	2383	2519	2924
165	162	208	231	639	748	808	1341	1508	2601	2749	3191
179	174	224	249	692	811	875	1453	1635	2819	2978	3458
193	187	240	267	745	873	942	1566	1761	3036	3208	3725
207	199	256	285	799	936	1010	1679	1888	3254	3438	3992
221	211	272	302	853	999	1078	1789	2013	3470	3667	4257
234	223	287	319	907	1062	1146	1900	2137	3686	3895	4522
248	235	303	336	961	1125	1214	2010	2261	3902	4123	4787
262	247	318	353	1014	1188	1282	2121	2386	4118	4352	5052
276	259	334	371	1068	1251	1351	2232	2510	4334	4580	5317
290	272	349	388	1122	1314	1418	2340	2633	4547	4805	5578
303	284	365	406	1175	1377	1486	2449	2755	4760	5030	5840
317	296	381	423	1229	1439	1553	2558	2877	4973	5255	6101
331	308	396	440	1282	1502	1621	2667	3000	5186	5480	6362
345	321	412	458	1336	1565	1689	2775	3122	5399	5705	6624
359	333	428	475	1389	1627	1756	2885	3245	5617	5935	6890
372	345	444	493	1442	1689	1823	2994	3368	5834	6165	7157
386	357	459	510	1496	1752	1891	3104	3492	6051	6394	7423
400	370	475	528	1549	1814	1958	3214	3615	6269	6624	7690
414	382	491	545	1602	1876	2025	3323	3738	6486	6854	7957
427	394	507	563	1656	1940	2094	3435	3863	6706	7087	8227
441	406	522	580	1710	2003	2162	3546	3989	6927	7320	8498
455	418	538	598	1765	2067	2231	3657	4114	7147	7552	8768
469	431	554	615	1819	2130	2299	3769	4239	7368	7785	9038
483	443	569	633	1873	2194	2368	3880	4365	7588	8018	9309
496	455	585	650	1927	2257	2436	3988	4486	7805	8247	9575
510	467	600	667	1980	2320	2504	4096	4608	8021	8476	9840
524	479	616	684	2034	2382	2571	4204	4729	8238	8705	10106
538	491	631	701	2088	2445	2639	4312	4850	8454	8934	10372
552	503	647	719	2141	2508	2707	4420	4972	8671	9163	10637
565	515	663	736	2195	2571	2775	4533	5099	8899	9403	10917
579	528	679	754	2248	2633	2842	4646	5226	9127	9644	11196
593	540	695	772	2301	2695	2909	4758	5352	9355	9885	11476
607	553	711	790	2354	2758	2976	4871	5479	9583	10126	11755
621	565	727	807	2408	2820	3044	4984	5606	9810	10367	12035
634	577	742	825	2460	2881	3110	5095	5731	10024	10592	12297
648	589	758	842	2512	2943	3176	5206	5856	10238	10818	12559
662	601	773	859	2565	3004	3242	5318	5981	10452	11044	12822
676	613	789	876	2617	3065	3308	5429	6107	10665	11270	13084
689	625	804	893	2669	3127	3374	5540	6232	10879	11496	13346

TORQUE CONVERSION CHART

Bar	56589			56590			56591		
	2 5/8" - 3 15/16" 66 - 100mm	4" - 4 5/8" 101 - 117 mm	4 11/16" - 5 1/4" 119 - 133 mm	3 1/8" - 4 5/8" 79 - 117 mm	4 11/16" - 6 1/2" 119 - 165 mm	6 9/16" - 8" 166 - 203 mm	3 1/8" - 4 5/8" 79 - 117 mm	4 11/16" - 6 1/2" 119 - 165 mm	6 9/16" - 8" 166 - 203 mm
	N.m	N.m	N.m	N.m	N.m	N.m	N.m	N.m	N.m
69	2206	2404	2813	4707	5212	5884	6160	6820	7700
83	2618	2852	3338	5602	6202	7002	7403	8196	9254
97	3029	3301	3863	6496	7192	8120	8647	9573	10808
110	3441	3749	4388	7391	8183	9238	9890	10950	12363
124	3853	4198	4913	8285	9173	10357	11134	12327	13917
138	4264	4646	5438	9180	10163	11475	12377	13703	15471
152	4675	5094	5962	10062	11140	12578	13590	15046	16987
165	5087	5542	6486	10945	12118	13681	14803	16389	18504
179	5498	5990	7010	11828	13095	14785	16016	17732	20020
193	5909	6438	7534	12710	14072	15888	17229	19074	21536
207	6320	6886	8059	13593	15050	16991	18441	20417	23052
221	6732	7335	8584	14486	16038	18107	19668	21775	24585
234	7144	7784	9109	15378	17026	19223	20895	23133	26118
248	7555	8233	9634	16271	18014	20338	22121	24491	27651
262	7967	8681	10159	17163	19002	21454	23348	25849	29185
276	8379	9130	10685	18056	19990	22570	24574	27207	30718
290	8789	9577	11207	18937	20966	23672	25795	28559	32244
303	9199	10023	11730	19819	21943	24774	27016	29911	33770
317	9609	10470	12253	20701	22919	25876	28237	31262	35296
331	10019	10917	12775	21583	23895	26978	29458	32614	36822
345	10429	11363	13298	22464	24871	28080	30679	33966	38349
359	10848	11820	13833	23350	25852	29188	31900	35318	39875
372	11268	12277	14368	24236	26833	30296	33121	36670	41402
386	11687	12735	14903	25123	27814	31403	34342	38022	42928
400	12107	13192	15438	26009	28795	32511	35564	39374	44455
414	12527	13649	15973	26895	29776	33619	36785	40726	45981
427	12952	14112	16515	27790	30767	34737	38008	42080	47510
441	13377	14576	17058	28685	31758	35856	39231	43434	49038
455	13802	15039	17600	29580	32749	36975	40454	44788	50567
469	14228	15503	18142	30475	33740	38093	41676	46142	52096
483	14653	15966	18685	31370	34731	39212	42899	47496	53624
496	15065	16415	19210	32249	35705	40312	44121	48848	55151
510	15477	16864	19735	33129	36679	41411	45343	50201	56678
524	15889	17312	20260	34009	37653	42511	46564	51553	58205
538	16301	17761	20785	34889	38627	43611	47786	52906	59732
552	16712	18210	21311	35768	39601	44711	49008	54258	61260
565	17146	18683	21864	36651	40577	45813	50230	55611	62787
579	17580	19155	22417	37533	41554	46916	51451	56964	64314
593	18014	19628	22970	38415	42531	48019	52673	58317	65842
607	18447	20101	23523	39297	43508	49122	53895	59670	67369
621	18881	20573	24076	40179	44484	50224	55117	61023	68897
634	19313	21044	24627	41064	45464	51330	56338	62374	70423
648	19745	21514	25177	41949	46443	52436	57559	63726	71949
662	20177	21985	25728	42833	47423	53542	58780	65078	73475
676	20608	22455	26278	43718	48402	54648	60001	66430	75001
689	21040	22926	26829	44603	49382	55753	61222	67781	76527

TORQUE CONVERSION CHART

P.S.I	56586			56573			56587		56588		
	7/8" - 1 1/8" 22-28 mm	1 3/16" - 1 5/8" 29-41 mm	1 11/16" - 2" 42-50 mm	3/4" - 1 13/16" 19-46 mm	1 7/8" - 2 9/16" 47-65 mm	2 5/8" - 2 15/16" 67-75 mm	1" - 2 9/16" 25-65 mm	2 5/8" - 3 1/8" 66-79 mm	1 7/8" - 3 1/8" 47-79 mm	3 3/16" - 3 9/16" 80-90 mm	3 5/8" - 4 5/8" 92-117 mm
	Ft.-lbs	Ft.-lbs	Ft.-lbs	Ft.-lbs	Ft.-lbs	Ft.-lbs	Ft.-lbs	Ft.-lbs	Ft.-lbs	Ft.-lbs	Ft.-lbs
1,000	55	71	79	202	237	256	422	475	797	842	978
1,200	64	83	92	240	282	304	502	565	957	1011	1174
1,400	74	95	105	278	326	352	582	655	1117	1180	1370
1,600	83	106	118	317	371	400	663	745	1277	1350	1567
1,800	92	118	131	355	415	448	743	836	1437	1519	1763
2,000	101	130	144	393	460	496	823	926	1597	1688	1960
2,200	110	142	158	432	506	546	906	1019	1758	1858	2157
2,400	119	154	171	471	552	596	989	1112	1918	2027	2353
2,600	129	165	184	511	598	645	1072	1206	2079	2197	2550
2,800	138	177	197	550	644	695	1155	1299	2239	2366	2747
3,000	147	189	210	589	690	745	1238	1393	2400	2536	2944
3,200	156	200	223	629	737	795	1320	1484	2559	2704	3140
3,400	165	212	235	669	783	845	1401	1576	2719	2873	3335
3,600	174	223	248	708	830	896	1483	1668	2878	3041	3531
3,800	182	235	261	748	876	946	1564	1760	3037	3210	3726
4,000	191	246	273	788	923	996	1646	1852	3197	3378	3922
4,200	200	258	286	827	969	1046	1726	1942	3354	3544	4114
4,400	209	269	299	867	1015	1096	1806	2032	3511	3710	4307
4,600	218	281	312	906	1062	1146	1887	2122	3668	3876	4500
4,800	227	292	325	946	1108	1196	1967	2212	3825	4042	4693
5,000	236	304	338	985	1154	1246	2047	2303	3982	4208	4885
5,200	245	316	351	1024	1200	1295	2128	2393	4143	4377	5082
5,400	254	327	364	1064	1246	1345	2209	2484	4303	4547	5279
5,600	264	339	376	1103	1292	1394	2289	2575	4463	4716	5475
5,800	273	350	389	1142	1338	1444	2370	2666	4623	4886	5672
6,000	282	362	402	1182	1384	1494	2451	2757	4784	5055	5869
6,200	291	374	415	1222	1431	1544	2533	2849	4946	5227	6068
6,400	300	385	428	1261	1478	1595	2615	2942	5109	5399	6267
6,600	309	397	441	1301	1524	1645	2698	3034	5272	5570	6467
6,800	318	408	454	1341	1571	1696	2780	3127	5434	5742	6666
7,000	327	420	467	1381	1618	1746	2862	3219	5597	5914	6866
7,200	336	431	479	1421	1664	1796	2942	3309	5756	6083	7062
7,400	344	443	492	1461	1711	1846	3021	3398	5916	6252	7258
7,600	353	454	505	1500	1757	1897	3101	3488	6076	6420	7454
7,800	362	466	517	1540	1804	1947	3180	3577	6236	6589	7650
8,000	371	477	530	1579	1850	1997	3260	3667	6395	6758	7846
8,200	380	489	543	1619	1896	2046	3343	3761	6564	6936	8052
8,400	389	501	556	1658	1942	2096	3426	3854	6732	7113	8258
8,600	399	512	569	1697	1988	2146	3510	3948	6900	7291	8464
8,800	408	524	582	1737	2034	2195	3593	4041	7068	7468	8670
9,000	417	536	596	1776	2080	2245	3676	4135	7236	7646	8877
9,200	426	547	608	1814	2125	2294	3758	4227	7393	7813	9070
9,400	435	559	621	1853	2170	2343	3840	4319	7551	7979	9263
9,600	443	570	634	1892	2216	2391	3922	4412	7709	8146	9457
9,800	452	582	646	1930	2261	2440	4004	4504	7866	8312	9650
10,000	461	593	659	1969	2306	2489	4086	4596	8024	8479	9844

TORQUE CONVERSION CHART

P.S.I.	56589			56590			56591		
	2 5/8" - 3 15/16" 66-100mm	4" - 4 5/8" 101-117 mm	4 11/16" - 5 1/4" 119-133 mm	3 1/8" - 4 5/8" 79 -117 mm	4 11/16" - 6 1/2" 119-165 mm	6 9/16" - 8" 166-203 mm	3 1/8" - 4 5/8" 79-117 mm	4 11/16" - 6 1/2" 119-165 mm	6 9/16" - 8" 166-203 mm
	Ft.-lbs	Ft.-lbs	Ft.-lbs	Ft.-lbs	Ft.-lbs	Ft.-lbs	Ft.-lbs	Ft.-lbs	Ft.-lbs
1,000	1627	1773	2075	3472	3844	4340	4543	5030	5679
1,200	1931	2104	2462	4132	4574	5165	5460	6045	6825
1,400	2234	2435	2849	4791	5305	5989	6377	7061	7972
1,600	2538	2765	3236	5451	6035	6814	7295	8076	9118
1,800	2842	3096	3623	6111	6766	7639	8212	9092	10265
2,000	3145	3427	4011	6771	7496	8463	9129	10107	11411
2,200	3448	3757	4397	7422	8217	9277	10023	11097	12529
2,400	3752	4088	4784	8073	8938	10091	10918	12088	13648
2,600	4055	4418	5170	8724	9658	10905	11813	13078	14766
2,800	4358	4749	5557	9375	10379	11718	12707	14069	15884
3,000	4661	5079	5944	10026	11100	12532	13602	15059	17002
3,200	4965	5410	6331	10684	11829	13355	14506	16061	18133
3,400	5269	5741	6719	11342	12558	14178	15411	17062	19264
3,600	5573	6072	7106	12001	13286	15001	16316	18064	20395
3,800	5876	6403	7493	12659	14015	15824	17220	19065	21525
4,000	6180	6734	7881	13317	14744	16646	18125	20067	22656
4,200	6483	7063	8266	13967	15464	17459	19026	21064	23782
4,400	6785	7393	8652	14618	16184	18272	19926	22061	24908
4,600	7087	7722	9037	15268	16904	19085	20827	23058	26033
4,800	7389	8052	9423	15918	17624	19898	21727	24055	27159
5,000	7692	8381	9808	16569	18344	20711	22628	25052	28285
5,200	8001	8718	10203	17222	19068	21528	23528	26049	29410
5,400	8311	9055	10597	17876	19791	22345	24429	27046	30536
5,600	8620	9393	10992	18529	20515	23162	25330	28044	31662
5,800	8930	9730	11387	19183	21238	23979	26230	29041	32788
6,000	9239	10067	11781	19837	21962	24796	27131	30038	33914
6,200	9553	10409	12181	20497	22693	25621	28033	31037	35041
6,400	9866	10751	12581	21157	23424	26446	28935	32035	36169
6,600	10180	11092	12981	21817	24154	27271	29837	33034	37296
6,800	10494	11434	13381	22477	24885	28096	30739	34032	38424
7,000	10808	11776	13781	23137	25616	28921	31641	35031	39551
7,200	11111	12107	14168	23786	26334	29732	32542	36029	40677
7,400	11415	12438	14556	24435	27053	30543	33443	37026	41804
7,600	11719	12769	14943	25084	27771	31355	34344	38024	42930
7,800	12023	13100	15331	25733	28490	32166	35245	39021	44056
8,000	12326	13431	15718	26381	29208	32977	36146	40019	45183
8,200	12646	13780	16126	27032	29928	33790	37047	41017	46309
8,400	12966	14128	16534	27683	30649	34603	37949	42015	47436
8,600	13286	14477	16942	28333	31369	35417	38850	43012	48562
8,800	13606	14825	17350	28984	32090	36230	39751	44010	49689
9,000	13926	15174	17758	29635	32810	37044	40652	45008	50815
9,200	14245	15521	18164	30287	33532	37859	41553	46005	51941
9,400	14563	15868	18570	30940	34255	38675	42453	47002	53067
9,600	14881	16215	18976	31592	34977	39490	43354	47999	54192
9,800	15200	16562	19382	32245	35700	40306	44254	48996	55318
10,000	15518	16909	19788	32897	36422	41122	45155	49993	56444

HYDRAULIC POWER UNIT PUMPS

EGA Master's hydraulic power unit pumps have been designed according to the needs of the end user. They enable simultaneous use of four wrenches. EGA Master power units are manufactured to work in adverse environments, allowing pressure adjustment to assure the correct torque output to each application.

**Up to 4
 wrenches!**



1. Electric drive hydraulic pumps (115VAC or 230VAC) and air drive hydraulic pumps to use them in explosive environments or in applications where the electricity is not available.

2. Remote control for easy use and a comfortable handle for transportation.

3. Its design makes it suitable for work in the toughest environments and under the most demanding conditions **such as drilling rigs and mining industry.**

ELECTRIC DRIVE



COD	kw	V	CAP. L
56888	0,8	115VAC	5,5
56889		230VAC	

Technical specification	
Ports	1
For use with	56572, 56573, 56578, 56579, 56586, 56587, 56588
Weight without oil	22 Kg.
Flow rate	8,6l/min. @ 75bar 0,75l/min @ 700bar
Pressure control button	•
Remote pendant (4m)	•
Twinline Hydraulic hose (4m)	•

ELECTRIC DRIVE



COD	kw	V	CAP. L
56885	1,1	115VAC	5,5
56575		230VAC	
56886		115VAC	7,5
56887		230VAC	

Technical specification	
Ports	56885-56575: 1 56886-56887: 4
For use with	56572, 56573, 56578, 56579, 56580, 56581, 56582, 56583, 56586, 56587, 56588, 56589, 56590, 56591
Weight without oil	56885-56575: 29 Kg. 56886-56887: 30 Kg.
Flow rate	11,5l/min. @ 75bar 0,9l/min @ 700bar
Pressure control button	•
Remote pendant (4m)	•
Twinline Hydraulic hose (4m)	•

AIR DRIVE



COD	kw	CAP. L
56890	4,5	7,5
56891		

Technical specification	
Ports	56890: 1 56891: 4
For use with	56572, 56573, 56578, 56579, 56580, 56581, 56582, 56583, 56586, 56587, 56588, 56589, 56590, 56591
Weight without oil	33 Kg.
Flow rate	11,5/min. @ 75bar 0,9l/min @ 700bar
Pressure control button	•
Remote pendant (4m)	•
Twinline Hydraulic hose (4m)	•

ACCESSORIES



COD	Kg.
56893	4

Technical specification	
4 ports manifold	•
For pumps	56885, 56575, 56890