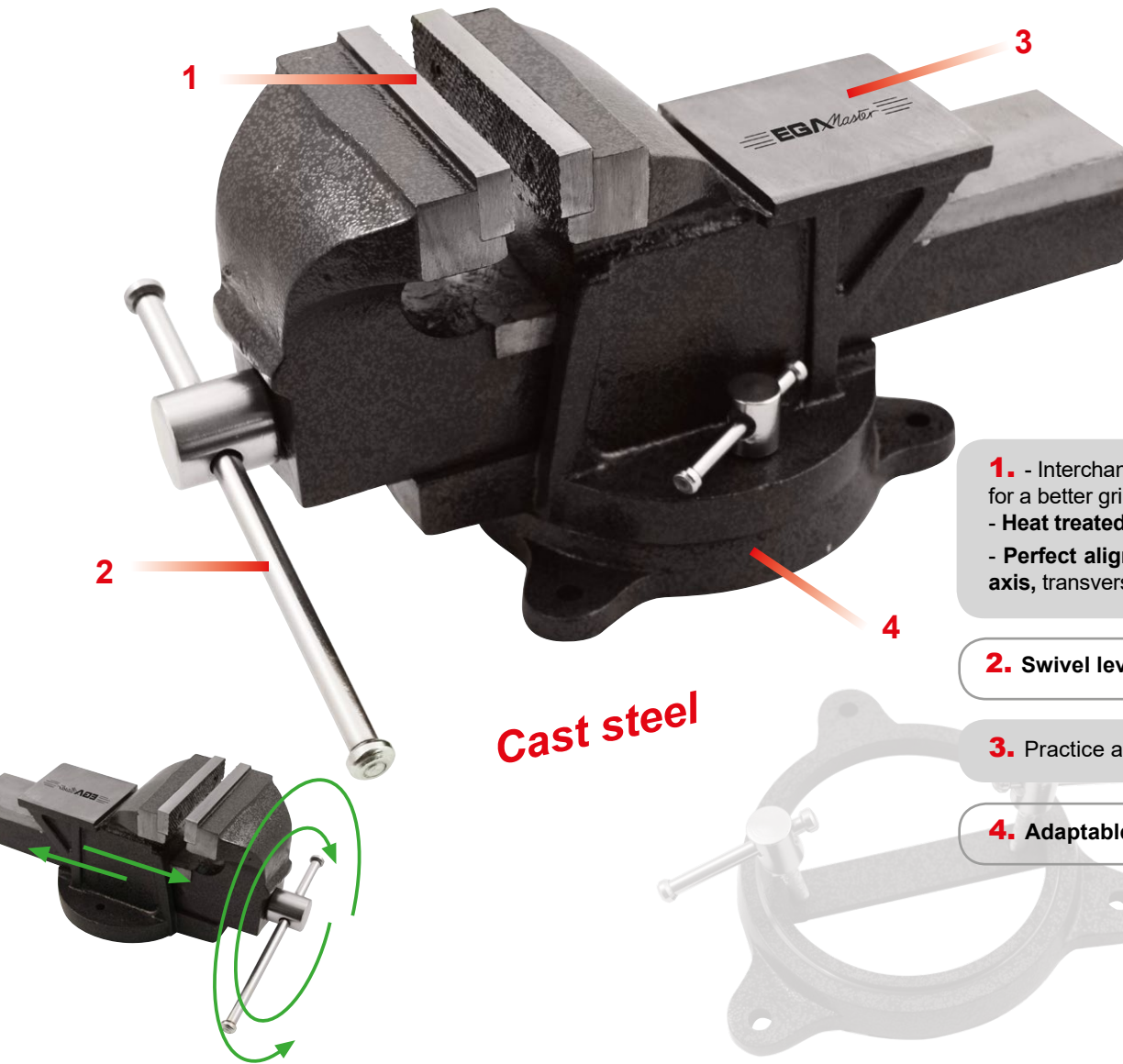


# PARALLEL BENCH VICE



EGA Master offers a wide variety of pipe tools, Mastergrip wrenches, Stillson, Heavy Duty, Swedish pipe wrenches, Threaders, Tube cutters, Bench vice, etc.



**Cast steel**

- 1.** - Interchangeable knurled jaws for a better grip.  
 - Heat treated for increased strength.  
 - Perfect alignment relative to longitudinal axis, transversal and in height.
- 2.** Swivel lever that allows a smooth shift.
- 3.** Practice and wide area sweetspot.
- 4.** Adaptable swivel base (optional).



## FIXED

COD		N	Kg.	
57636	4"	10.000	8	1
57637	5"	15.000	12	
57638	6"	20.000	14	
57639	8"	25.000	22	

Cast steel  
 Without swivel base



## SWIVEL

<b>COD</b>		<b>N</b>	<b>Kg.</b>	
57645	4"	10.000	9	1
57646	5"	15.000	13,2	
57647	6"	20.000	15,4	
57648	8"	25.000	23	

Cast steel  
 With swivel base



<b>COD</b>		<b>Kg.</b>
87840	4"	1
87841	5"	1,2
87842	6"	1,4
87843	8"	1,6



<b>COD</b>	
87844	4"
87845	5"
87846	6"
87847	8"



# TECHNICAL SPECIFICATIONS

<b>MATERIAL</b>	<b>Body</b>	High-quality cast steel
	<b>Jaws</b>	Special steel
<b>HARDNESS</b>	<b>Interchangeable jaws</b>	45-50 HRC
<b>FINISHING</b>	<b>Body</b>	Grey hammer tone
	<b>Jaws</b>	knurled and polished

