



Main

| | |
|---------------------------------|-----------------------|
| Range of product | Harmony 9001K |
| Product or component type | Push-button |
| Device short name | 9001K |
| Type of operator | Spring return |
| Operator profile | Red flush, unmarked |
| Operator additional information | Full guard in plastic |

Complementary

| | |
|---|---|
| Bezel material | Chromium plated metal |
| Mounting diameter | 30 Mm |
| Shape of signaling unit head | Octagonal |
| Contacts type and composition | 1 C/O |
| Connections - terminals | Screw clamp terminals 1 x 0.22...2 x 1.5 mm ² conforming to IEC 60947-1 |
| Tightening torque | 0.8 N.M conforming to IEC 60947-1 |
| Shape of screw head | Cross slotted |
| Mechanical durability | 5000000 Cycles |
| Operating position | Any position |
| [Ie] rated operational current | 3 A at 240 V, AC-15, A600-Q600 conforming to NEMA 0.55 A at 125 V, DC-13, A600-Q600 conforming to NEMA |
| [Ui] rated insulation voltage | 250 V (pollution degree 3) conforming to IEC 60947-1 |
| [Uimp] rated impulse withstand voltage | 2.5 KV conforming to IEC 60947-1 |
| Contacts material | Silver alloy contacts |
| Contact operation | Standard |
| Positive opening | Without |
| Short-circuit protection | 10 A cartridge fuse conforming to IEC 60947-5-1 |
| [Ith] conventional free air thermal current | 10 A |
| [Icm] rated short-circuit making capacity | 12 KA at 600 V AC-15, 7200 VA 15 KA at 480 V AC-15, 7200 VA 30 KA at 240 V AC-15, 7200 VA 60 KA at 120 V AC-15, 7200 VA 0.1 KA at 600 V DC-13 0.27 KA at 250 V DC-13 0.55 KA at 125 V DC-13 |
| Rated breaking capacity | 3 KA at 240 V AC-15, 720 VA 6 KA at 120 V AC-15, 720 VA 1.2 KA at 600 V AC-15, 720 VA 1.5 KA at 480 V AC-15, 720 VA 0.1 KA at 600 V DC-13 0.27 KA at 250 V DC-13 0.55 KA at 125 V DC-13 |

The information provided in this documentation contains general descriptions and/or technical characteristics of the performance of the products contained herein. This documentation is not intended as a substitute for and is not to be used for determining suitability or reliability of these products for specific user applications. It is the duty of any such user or integrator to perform the appropriate and complete risk analysis, evaluation and testing of the products with respect to the relevant specific application or use thereof. Neither Schneider Electric Industries SAS nor any of its affiliates or subsidiaries shall be responsible or liable for misuse of the information contained herein.

| | |
|-------------------------------|------------------|
| Terminals description ISO n°1 | (13-14-11-12)OF |
| CAD overall width | 48 Mm |
| CAD overall height | 45 Mm |
| CAD overall depth | 56 Mm |
| Net weight | 0.121 Kg |
| Device presentation | Complete product |

Environment

| | |
|---------------------------------------|--|
| Standards | CSA C22.2 No 14 EN/IEC 60947-5-1 EN/IEC 60947-5-4 JIS C 4520 EN/IEC 60947-1 JIS C 852 UL 508 |
| Product certifications | NEMA UL 508 |
| Protective treatment | TC |
| Ambient air temperature for storage | -40...70 °C |
| Ambient air temperature for operation | -25...70 °C |
| Vibration resistance | 7 gn (f= 2...500 Hz) conforming to IEC 60068-2-6 |
| Shock resistance | 50 gn conforming to IEC 60068-2-27 |
| Electrical shock protection class | Class II conforming to IEC 61140 |
| IP degree of protection | IP66 conforming to IEC 60529 |
| NEMA degree of protection | NEMA 1 NEMA 12 NEMA 13 NEMA 2 NEMA 3 NEMA 3R NEMA 4 |

Packing Units

| | |
|------------------------------|----------|
| Unit Type of Package 1 | PCE |
| Number of Units in Package 1 | 1 |
| Package 1 Weight | 130 G |
| Package 1 Height | 5.5 Cm |
| Package 1 width | 9.4 Cm |
| Package 1 Length | 4.6 Cm |
| Unit Type of Package 2 | S01 |
| Number of Units in Package 2 | 16 |
| Package 2 Weight | 2.267 Kg |
| Package 2 Height | 15 Cm |
| Package 2 width | 15 Cm |
| Package 2 Length | 40 Cm |

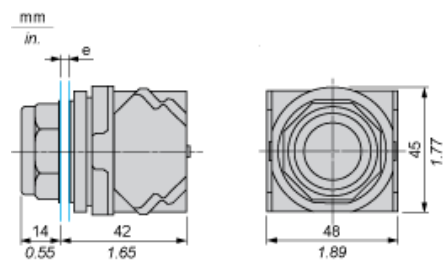
Offer Sustainability

| | |
|----------------------------|---|
| Sustainable offer status | Green Premium product |
| EU RoHS Directive | Pro-active compliance (Product out of EU RoHS legal scope) EU RoHS Declaration |
| Mercury free | Yes |
| RoHS exemption information | Yes |
| China RoHS Regulation | China RoHS Declaration |
| Environmental Disclosure | Product Environmental Profile |
| WEEE | The product must be disposed on European Union markets following specific waste collection and never end up in rubbish bins |

Contractual warranty

| | |
|----------|-----------|
| Warranty | 18 months |
|----------|-----------|

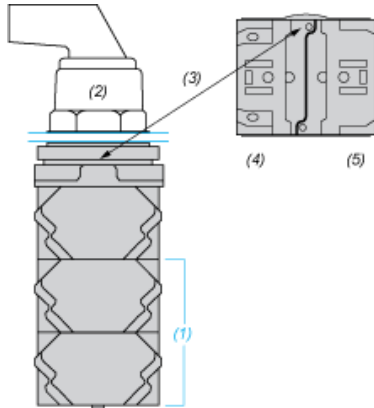
Dimensions



e panel thickness: 1 to 6 mm / 0.04 to 0.24 in.

Contact Block Mounting Position

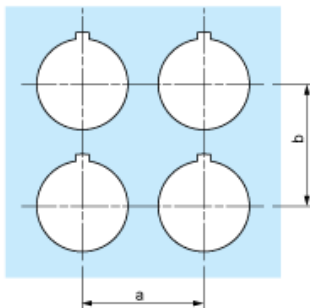
Top and Rear views



- (1) It is possible to mount up to 3 levels of contacts blocks (maximum of 6 contacts blocks)
- (2) Operator
- (3) Locating notch
- (4) Side 1
- (5) Side 2

Panel Cut-Out

Clearance

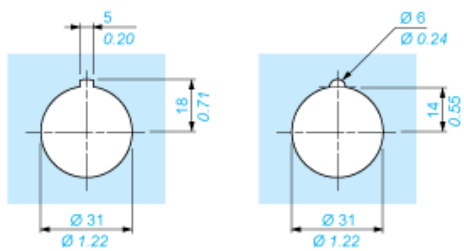


| Legend plate | a min. | | b min. | |
|--------------|--------|------|--------|------|
| | mm | in. | mm | in. |
| 9001KN2** | 57.2 | 2.25 | 44.5 | 1.75 |
| 9001KN3** | 57.2 | 2.25 | 50.8 | 2.00 |

Individual Cut-outs Details

2 alternatives

$\frac{\text{mm}}{\text{in.}}$



Product Life Status : **Commercialised**