

Cover profile - AP 3 METER - 5022643

Please be informed that the data shown in this PDF Document is generated from our Online Catalog. Please find the complete data in the user's documentation. Our General Terms of Use for Downloads are valid (<http://phoenixcontact.com/download>)



Cover profile, for covering terminal strips, snaps onto cover profile carrier AP 3-TU, AP 3-TNS 35, can be marked with insert strip AP-ES. Cover profile carriers should be placed at the ends and at intervals of approx. 40 cm. Length: 1 m



Key Commercial Data

Packing unit	14 pc
GTIN	
GTIN	4017918095246

Technical data

Dimensions

Length (b)	1000 mm
Width (a)	93.5 mm
Depth	44.5 mm

Ambient conditions

Ambient temperature (operation)	-15 °C ... 65 °C
---------------------------------	------------------

General

Color	transparent
Flammability rating according to UL 94	V0
Material	PVC

Standards and Regulations

Flammability rating according to UL 94	V0
--	----

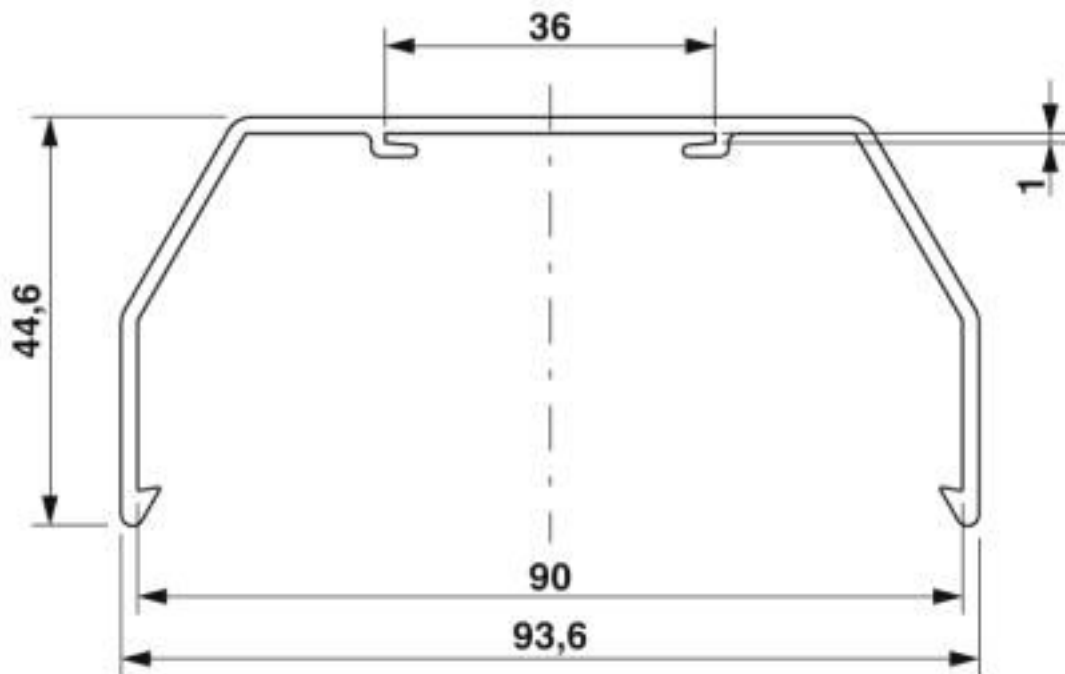
Environmental Product Compliance

China RoHS	Environmentally friendly use period: unlimited = EFUP-e
	No hazardous substances above threshold values

Drawings

Cover profile - AP 3 METER - 5022643

Dimensional drawing



Classifications

eCl@ss

eCl@ss 10.0.1	27141190
eCl@ss 4.0	27141100
eCl@ss 4.1	27141100
eCl@ss 5.0	27141100
eCl@ss 5.1	27141100
eCl@ss 6.0	27141100
eCl@ss 7.0	27141190
eCl@ss 8.0	27141190
eCl@ss 9.0	27141190

ETIM

ETIM 2.0	EC001031
ETIM 3.0	EC001031
ETIM 4.0	EC000007
ETIM 5.0	EC002848
ETIM 6.0	EC002848
ETIM 7.0	EC002848

UNSPSC

UNSPSC 6.01	30211923
UNSPSC 7.0901	27121703

Cover profile - AP 3 METER - 5022643

Classifications

UNSPSC

UNSPSC 11	27121703
UNSPSC 12.01	27121703
UNSPSC 13.2	39121410
UNSPSC 18.0	39121410
UNSPSC 19.0	39121410
UNSPSC 20.0	39121410
UNSPSC 21.0	39121410

Accessories

Accessories

Cover profile

Insert strip - AP-ES - 5022685



Insert strip, white, unlabeled, mounting type: insert, for terminal block width: 35 mm, lettering field size: 35 x 500 mm

Cover profile carrier

Cover profile carrier - AP 3-TU - 5022656



Cover profile carrier for mounting on NS 32 or NS 35/7.5 DIN rail for attaching the cover profile AP 3.2 mm thick

Cover - AP 3-TNS 35 - 5022672



Sealable cover profile, for mounting on NS 35/7.5 DIN rail and for fixing the cover profile AP 3, with plastic knurled nut M5, space requirement: 13 mm

Cover - AP 3-TNS 32 - 5022669



Sealable cover profile, for mounting on NS 32 DIN rail and for fixing the cover profile AP 3, with plastic knurled nut M5, space requirement: 13 mm

Cover profile - AP 3 METER - 5022643

Accessories

Cover profile carrier - AP 3-TU KS - 3034373



Sealable cover profile, for mounting on NS 35/7,5 DIN rail and for fixing the cover profile AP 3, with plastic knurled nut M5, space requirement: 2 mm

Phoenix Contact 2020 © - all rights reserved
<http://www.phoenixcontact.com>

PHOENIX CONTACT GmbH & Co. KG
Flachsmarktstr. 8
32825 Blomberg
Germany
Tel. +49 5235 300
Fax +49 5235 3 41200
<http://www.phoenixcontact.com>

Mouser Electronics

Authorized Distributor

Click to View Pricing, Inventory, Delivery & Lifecycle Information:

[Phoenix Contact:](#)

[5022643](#)