

Ferrule - AI 1-8 RD-B 3000 - 3240665

Please be informed that the data shown in this PDF Document is generated from our Online Catalog. Please find the complete data in the user's documentation. Our General Terms of Use for Downloads are valid (<http://phoenixcontact.com/download>)




Ferrules, 1.0 mm², taped, sleeve length: 8 mm, with plastic collar, galvanically tin-plated, color: red, color range according to DIN 46228-4, CSA-certified

Your advantages

- The sleeves are supplied on large reels, each containing a quantity of up to 3000
- Ferrules in tape format for automatic processing

Key Commercial Data

Packing unit	3000 pc
Minimum order quantity	3000 pc
GTIN	 4 0 4 6 3 5 6 6 2 5 4 3 2
GTIN	4046356625432

Technical data

Dimensions

Length (b)	14 mm
Maximum stripping length	11 mm
Sleeve length	8 mm
Inner dimension of the insulating collar (d)	3 mm
Ferrule diameter	1.5 mm
Insulating collar thickness	0.3 mm
Sleeve wall thickness	0.15 mm

Ambient conditions

Short-term temperature	120 °C
Max. permanent temperature	105 °C (-40°C no load / 0°C dynamic load)

General

Color	red
-------	-----

Ferrule - AI 1-8 RD-B 3000 - 3240665

Technical data

General

Components	free from silicone and halogen
Flammability rating according to UL 94	HB
Material	CU-DHP
Coating	tin-plated (galvanic)
Conductor category	Stranded conductors, class 2, 5, 6 / B, C, K, M

Standards and Regulations

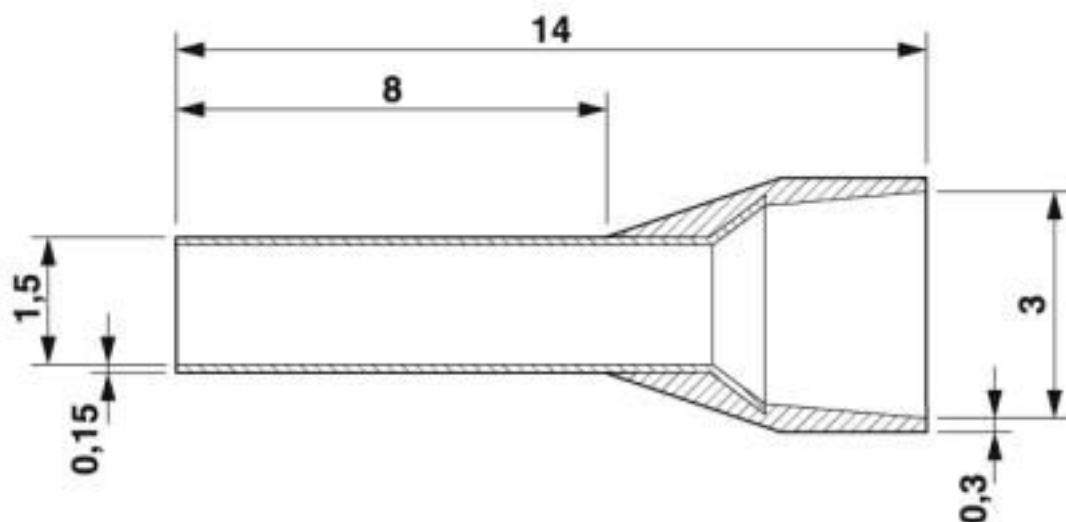
Connection in acc. with standard	CSA
Flammability rating according to UL 94	HB

Environmental Product Compliance

China RoHS	Environmentally friendly use period: unlimited = EFUP-e
	No hazardous substances above threshold values

Drawings

Dimensional drawing



Classifications

eCl@ss

eCl@ss 10.0.1	27400201
eCl@ss 4.0	27060700
eCl@ss 4.1	27060700
eCl@ss 5.0	27400200
eCl@ss 5.1	27400200
eCl@ss 6.0	27400200
eCl@ss 7.0	27400201

Ferrule - AI 1-8 RD-B 3000 - 3240665

Classifications

eCl@ss

eCl@ss 8.0	27400201
eCl@ss 9.0	27400201

ETIM

ETIM 4.0	EC000005
ETIM 5.0	EC000005
ETIM 6.0	EC000005
ETIM 7.0	EC000005

UNSPSC

UNSPSC 6.01	30212109
UNSPSC 7.0901	27121703
UNSPSC 11	27121703
UNSPSC 12.01	27121703
UNSPSC 13.2	27121703
UNSPSC 18.0	27121703
UNSPSC 19.0	27121703
UNSPSC 20.0	27121703
UNSPSC 21.0	27121703

Approvals

Approvals

Approvals

CSA / UL Listed / cUL Listed / CSAus / cULus Listed / cCSAus

Ex Approvals


Approval details


CSA		http://www.csagroup.org/services-industries/product-listing/	247397
-----	---	---	--------

UL Listed		http://database.ul.com/cgi-bin/XYVV/template/LISEXT/1FRAME/index.htm	E488001
-----------	---	---	---------

Ferrule - AI 1-8 RD-B 3000 - 3240665

Approvals

cUL Listed		http://database.ul.com/cgi-bin/XYV/template/LISEXT/1FRAME/index.htm	E488001
------------	---	---	---------

CSAus		http://www.csagroup.org/services-industries/product-listing/	247397
-------	---	---	--------

cULus Listed			
--------------	---	--	--

cCSAus			
--------	---	--	--

Phoenix Contact 2020 © - all rights reserved
<http://www.phoenixcontact.com>

PHOENIX CONTACT GmbH & Co. KG
Flachsmarktstr. 8
32825 Blomberg
Germany
Tel. +49 5235 300
Fax +49 5235 3 41200
<http://www.phoenixcontact.com>

Mouser Electronics

Authorized Distributor

Click to View Pricing, Inventory, Delivery & Lifecycle Information:

[Phoenix Contact:](#)

[3240665](#)