

Cable clamp - WCC 42 - 3240259

Please be informed that the data shown in this PDF Document is generated from our Online Catalog. Please find the complete data in the user's documentation. Our General Terms of Use for Downloads are valid (<http://phoenixcontact.com/download>)




Cable clamp, for DIN rails

Your advantages

- The halogen-free plastic troughs have been designed to be perfectly secure while simultaneously protecting the conductors
- Individual or bundled cables with a diameter of up to 42 mm can be installed safely and easily
- The cable clamps provide strain relief

Key Commercial Data

| | |
|--------------|---------------------------------------------------------------------------------------------------------|
| Packing unit | 25 pc |
| GTIN |  4 046356 464512 |
| GTIN | 4046356464512 |

Technical data

Dimensions

| | |
|----------------|-----------------|
| Cable diameter | 38 mm ... 42 mm |
|----------------|-----------------|

General

| | |
|----------|------------|
| Material | Steel |
| Coating | galvanized |

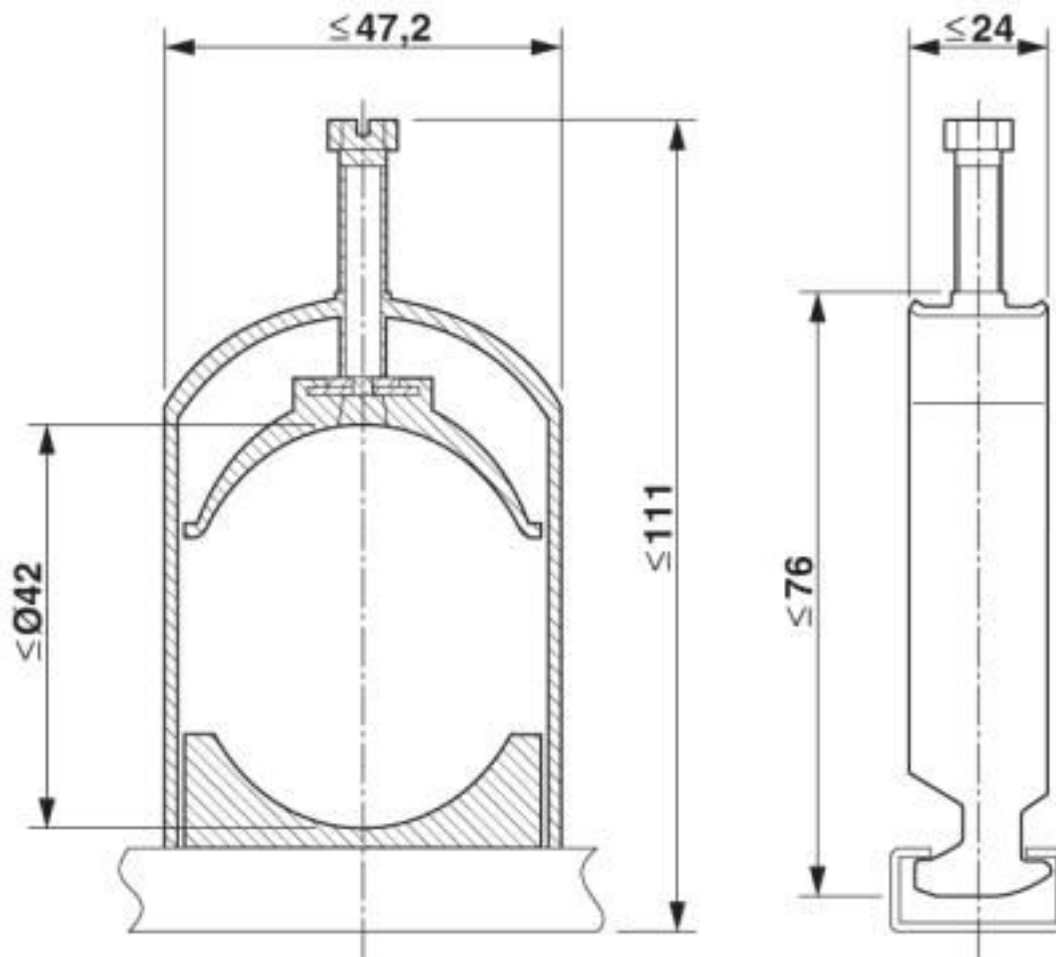
Environmental Product Compliance

| | |
|------------|---------------------------------------------------------|
| China RoHS | Environmentally friendly use period: unlimited = EFUP-e |
| | No hazardous substances above threshold values |

Drawings

Cable clamp - WCC 42 - 3240259

Dimensional drawing



Classifications

eCl@ss

| | |
|---------------|----------|
| eCl@ss 10.0.1 | 23159090 |
| eCl@ss 4.0 | 23140300 |
| eCl@ss 4.1 | 23140300 |
| eCl@ss 5.0 | 23140300 |
| eCl@ss 5.1 | 23140300 |
| eCl@ss 6.0 | 23140300 |
| eCl@ss 7.0 | 23140390 |
| eCl@ss 8.0 | 23140390 |
| eCl@ss 9.0 | 23159090 |

ETIM

| | |
|----------|----------|
| ETIM 2.0 | EC000897 |
| ETIM 3.0 | EC000897 |

Cable clamp - WCC 42 - 3240259

Classifications

ETIM

| | |
|----------|----------|
| ETIM 4.0 | EC000441 |
| ETIM 5.0 | EC000454 |
| ETIM 6.0 | EC000454 |
| ETIM 7.0 | EC000454 |

UNSPSC

| | |
|---------------|----------|
| UNSPSC 6.01 | 30211811 |
| UNSPSC 7.0901 | 39121410 |
| UNSPSC 11 | 39121410 |
| UNSPSC 12.01 | 39121410 |
| UNSPSC 13.2 | 31162906 |
| UNSPSC 18.0 | 31162906 |
| UNSPSC 19.0 | 31162906 |
| UNSPSC 20.0 | 31162906 |
| UNSPSC 21.0 | 31162906 |

Accessories

Accessories

DIN rail

DIN rail perforated - NS 30/15 PERF.2000MM - 3240262



DIN rail perforated, C profile, width: 30 mm, height: 15 mm, similar to EN 60715, material: Steel, galvanized, length: 2000 mm

Phoenix Contact 2020 © - all rights reserved
<http://www.phoenixcontact.com>

PHOENIX CONTACT GmbH & Co. KG
Flachsmarktstr. 8
32825 Blomberg
Germany
Tel. +49 5235 300
Fax +49 5235 3 41200
<http://www.phoenixcontact.com>

Mouser Electronics

Authorized Distributor

Click to View Pricing, Inventory, Delivery & Lifecycle Information:

[Phoenix Contact:](#)

[3240259](#)