

Support bracket - AB/SKS - 3240224

Please be informed that the data shown in this PDF Document is generated from our Online Catalog. Please find the complete data in the user's documentation. Our General Terms of Use for Downloads are valid (<http://phoenixcontact.com/download>)




Support bracket for busbars

Your advantages

- For mounting SK and SKS shield connection clamps
- AB/SS for isolated installation on the mounting plate
- AB/SS-M for non-isolated installation on the mounting plate

Key Commercial Data

Packing unit	10 pc
GTIN	 4 046356 455718
GTIN	4046356455718

Technical data

General

Color	gray
Material	PA

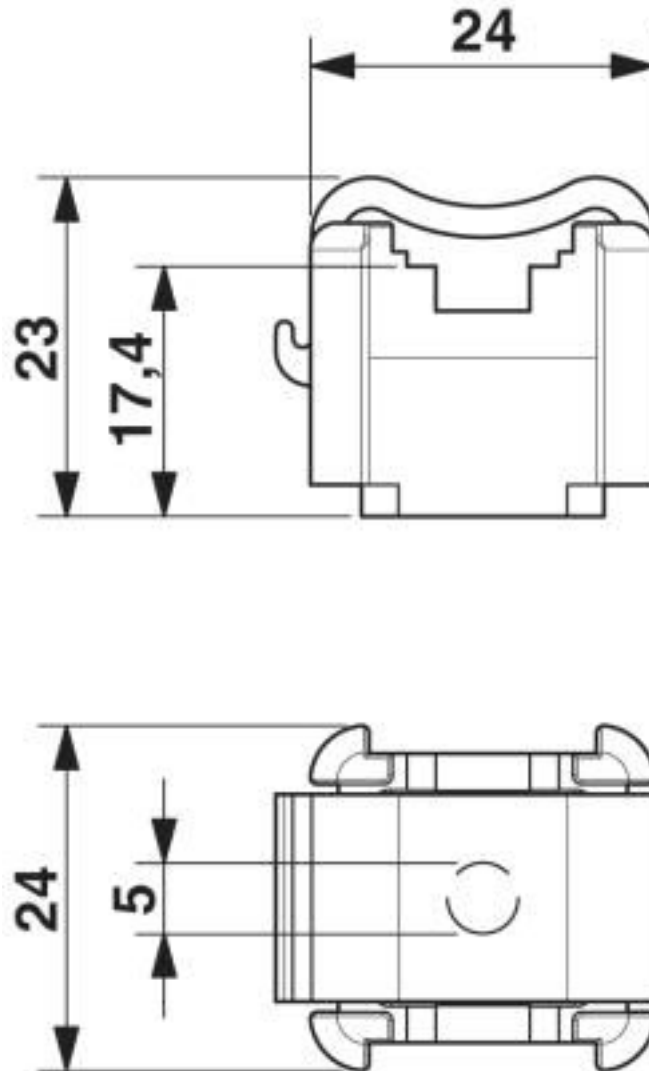
Environmental Product Compliance

China RoHS	Environmentally friendly use period: unlimited = EFUP-e
	No hazardous substances above threshold values

Drawings

Support bracket - AB/SKS - 3240224

Dimensional drawing



Classifications

eCl@ss

eCl@ss 10.0.1	27400607
eCl@ss 4.0	23150300
eCl@ss 4.1	23150300
eCl@ss 5.0	27141100
eCl@ss 5.1	27141100
eCl@ss 6.0	27409200
eCl@ss 7.0	27409221
eCl@ss 8.0	27409221
eCl@ss 9.0	27400607

Support bracket - AB/SKS - 3240224

Classifications

ETIM

ETIM 2.0	EC000761
ETIM 3.0	EC000761
ETIM 4.0	EC002270
ETIM 5.0	EC002270
ETIM 6.0	EC001166
ETIM 7.0	EC001166

UNSPSC

UNSPSC 6.01	30212109
UNSPSC 7.0901	39121708
UNSPSC 11	39121708
UNSPSC 12.01	39121708
UNSPSC 13.2	39121708
UNSPSC 18.0	39121708
UNSPSC 19.0	39121708
UNSPSC 20.0	39121708
UNSPSC 21.0	39121708

Phoenix Contact 2020 © - all rights reserved
<http://www.phoenixcontact.com>

PHOENIX CONTACT GmbH & Co. KG
Flachsmarktstr. 8
32825 Blomberg
Germany
Tel. +49 5235 300
Fax +49 5235 3 41200
<http://www.phoenixcontact.com>

Mouser Electronics

Authorized Distributor

Click to View Pricing, Inventory, Delivery & Lifecycle Information:

[Phoenix Contact:](#)

[3240224](#)