

MINI MCR-2-UI-I-OLP(-PT)(-C)

Output loop-powered 2-way isolator

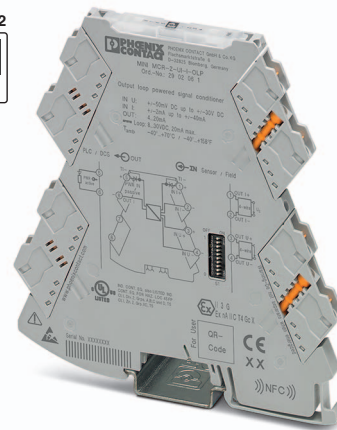
Data sheet

106298_en_04

© PHOENIX CONTACT 2021-03-29



Ex Zone 2



1 Description

The 2-way output loop-powered isolator with plug-in connection technology, which can be configured using DIP switches, is used for the electrical isolation, conversion, and filtering of unipolar and bipolar standard and normalized signals.

The device allows operation on an active analog input module.

The device is powered via the current loop of the controller.

On the input side, standard analog signals and non-standard analog signals can be connected, ranging from 2 mA or 50 mV up to 40 mA or 30 V. These are converted to a 4 mA ... 20 mA signal.

There is no need for adjustment following a measuring range changeover.

Features

- Output loop-powered 2-way isolator with plug-in connection technology
- Approval for Ex zone 2 (ec)
- 74 input ranges can be set via DIP switches
- Screw or push-in connection available
- Reinforced insulation according to IEC 61010-1



WARNING: Correct usage in potentially explosive areas

The module is a category 3 item of electrical equipment. It is absolutely vital to follow the instructions provided here during installation and observe the information in the "Safety regulations and installation notes".



This device offers the option of NFC communication.

You can use the MINI Analog Pro Smartphone app to call-up DIP switch setting help and comprehensive module information via the NFC interface of your Smartphone.

The MINI Analog Pro Smartphone app is available to you free.



Make sure you always use the latest documentation.

It can be downloaded from the product at phoenixcontact.net/products.

This document is valid for the products listed in the "Ordering data".

2	Table of contents	
1	Description	1
2	Table of contents	2
3	Ordering data	3
4	Technical data	6
5	Safety regulations and installation notes.....	9
	5.1 Installation notes	9
	5.2 Installation in Zone 2.....	9
	5.3 UL notes.....	10
6	Installation	11
	6.1 Connection notes	11
	6.2 Structure	11
	6.3 Block diagram.....	11
	6.4 Power supply.....	11
	6.5 Mounting	11
	6.6 FASTCON Pro plugs	12
	6.7 Current measurement	13
	6.8 Marking.....	13
7	Configuration	14
8	Status indicator.....	15

3 Ordering data

Description	Type	Order No.	Pcs./Pkt.
Output loop-powered 2-way isolator with plug-in connection technology for the electrical isolation of unipolar and bipolar analog signals. Input configurable via DIP switch. Screw connection technology, standard configuration.	MINI MCR-2-UI-I-OLP	2902061	1
Output loop-powered 2-way isolator with plug-in connection technology for the electrical isolation of unipolar and bipolar analog signals. Input configurable via DIP switch. Push-in connection technology, standard configuration.	MINI MCR-2-UI-I-OLP-PT	2902063	1
Output loop-powered 2-way isolator with plug-in connection technology for the electrical isolation of unipolar and bipolar analog signals. Input configurable via DIP switch. Screw connection technology, order configuration.	MINI MCR-2-UI-I-OLP-C	2902060	1
Output loop-powered 2-way isolator with plug-in connection technology for the electrical isolation of unipolar and bipolar analog signals. Input configurable via DIP switch. Push-in connection technology, order configuration.	MINI MCR-2-UI-I-OLP-PT-C	2902062	1
Accessories	Type	Order No.	Pcs./Pkt.
Marker for end clamp, Sheet, white, unlabeled, can be labeled with: TOPMARK NEO, TOPMARK LASER, BLUEMARK ID COLOR, BLUEMARK ID, BLUEMARK CLED, THERMOMARK PRIME, THERMOMARK CARD 2.0, THERMOMARK CARD, mounting type: snapped into marker carrier, lettering field size: 30 x 5 mm, Number of individual labels: 24	UCT-EM (30X5)	0801505	10
Marker for end clamp, can be ordered: by sheet, white, labeled according to customer specifications, mounting type: snapped into marker carrier, lettering field size: 30 x 5 mm, Number of individual labels: 24	UCT-EM (30X5) CUS	0801589	1
Marker strip, Roll, white, unlabeled, can be labeled with: THERMOMARK ROLL 2.0, THERMOMARK ROLL, THERMOMARK ROLL X1, THERMOMARK ROLLMASTER 300/600, THERMOMARK X1.2, mounting type: adhesive, for terminal block width: 5 mm, lettering field size: continuous x 5 mm, Number of individual labels: 90000	SK 5,0 WH:REEL	0805221	1
Plastic label, Sheet, white, unlabeled, can be labeled with: BLUEMARK ID COLOR, BLUEMARK ID, BLUEMARK CLED, PLOTMARK, CMS-P1-PLOTTER, mounting type: adhesive, lettering field size: 15 x 5 mm, Number of individual labels: 10	UC-EMLP (15X5)	0819301	10

Accessories	Type	Order No.	Pcs./Pkt.
Plastic label, Sheet, white, unlabeled, can be labeled with: BLUEMARK ID, BLUEMARK ID COLOR, BLUEMARK CLED, PLOTMARK, CMS-P1-PLOTTER, mounting type: adhesive, lettering field size: 15 x 5 mm, Number of individual labels: 20	UC-EMLP (15X5)L	0820138	5
Plastic label, Sheet, yellow, unlabeled, can be labeled with: BLUEMARK ID COLOR, BLUEMARK ID, BLUEMARK CLED, PLOTMARK, CMS-P1-PLOTTER, mounting type: adhesive, lettering field size: 15 x 5 mm, Number of individual labels: 10	UC-EMLP (15X5) YE	0822615	10
Plastic label, can be ordered: by sheet, white, labeled according to customer specifications, mounting type: adhesive, lettering field size: 15 x 5 mm	UC-EMLP (15X5) CUS	0824550	1
Plastic label, can be ordered: by sheet, yellow, labeled according to customer specifications, mounting type: adhesive, lettering field size: 15 x 5 mm	UC-EMLP (15X5) YE CUS	0824551	1
Plastic label, can be ordered: by sheet, white, labeled according to customer specifications, mounting type: adhesive, lettering field size: 15 x 5 mm	UC-EMLP (15X5)L CUS	0824552	1
Plastic label, Sheet, yellow, unlabeled, can be labeled with: BLUEMARK CLED, BLUEMARK LED, CMS-P1-PLOTTER, mounting type: adhesive, lettering field size: 15 x 5 mm, Number of individual labels: 20	UC-EMLP (15X5)L YE	0825325	5
Plastic label, can be ordered: by sheet, yellow, labeled according to customer specifications, mounting type: adhesive, lettering field size: 15 x 5 mm, Number of individual labels: 20	UC-EMLP (15X5)L YE CUS	0826680	1
Plastic label, Sheet, silver, unlabeled, can be labeled with: BLUEMARK ID COLOR, BLUEMARK ID, BLUEMARK CLED, PLOTMARK, CMS-P1-PLOTTER, mounting type: adhesive, lettering field size: 15 x 5 mm, Number of individual labels: 10	UC-EMLP (15X5) SR	0828095	10
Plastic label, can be ordered: by sheet, silver, labeled according to customer specifications, mounting type: adhesive, lettering field size: 15 x 5 mm, Number of individual labels: 10	UC-EMLP (15X5) SR CUS	0828099	1
Plastic label, Sheet, silver, unlabeled, can be labeled with: BLUEMARK ID COLOR, BLUEMARK ID, BLUEMARK CLED, PLOTMARK, CMS-P1-PLOTTER, mounting type: adhesive, lettering field size: 15 x 5 mm, Number of individual labels: 20	UC-EMLP (15X5)L SR	0828103	5
Plastic label, Card, white, unlabeled, can be labeled with: BLUEMARK ID COLOR, BLUEMARK ID, THERMOMARK PRIME, THERMOMARK CARD 2.0, THERMOMARK CARD, mounting type: adhesive, lettering field size: 15 x 5 mm, Number of individual labels: 189	US-EMLP (15X5)	0828790	10

Accessories	Type	Order No.	Pcs./Pkt.
Plastic label, Card, yellow, unlabeled, can be labeled with: BLUEMARK ID COLOR, BLUEMARK ID, THERMOMARK PRIME, THERMOMARK CARD 2.0, THERMOMARK CARD, mounting type: adhesive, lettering field size: 15 x 5 mm, Number of individual labels: 189	US-EMLP (15X5) YE	0828873	10
Plastic label, Card, silver, unlabeled, can be labeled with: BLUEMARK ID COLOR, BLUEMARK ID, THERMOMARK PRIME, THERMOMARK CARD 2.0, THERMOMARK CARD, mounting type: adhesive, lettering field size: 15 x 5 mm, Number of individual labels: 189	US-EMLP (15X5) SR	0828874	10
Plastic label, can be ordered: by card, white, labeled according to customer specifications, mounting type: adhesive, lettering field size: 15 x 5 mm, Number of individual labels: 189	US-EMLP (15X5) CUS	0830076	1
Plastic label, can be ordered: by card, yellow, labeled according to customer specifications, mounting type: adhesive, lettering field size: 15 x 5 mm, Number of individual labels: 189	US-EMLP (15X5) YE CUS	0830077	1
Plastic label, can be ordered: by card, silver, labeled according to customer specifications, mounting type: adhesive, lettering field size: 15 x 5 mm, Number of individual labels: 189	US-EMLP (15X5) SR CUS	0830078	1
Marker for end clamp, Sheet, yellow, unlabeled, can be labeled with: TOPMARK NEO, TOPMARK LASER, BLUEMARK ID COLOR, BLUEMARK ID, BLUEMARK CLED, THERMOMARK PRIME, THERMOMARK CARD 2.0, THERMOMARK CARD, mounting type: snapped into marker carrier, lettering field size: 30 x 5 mm, Number of individual labels: 24	UCT-EM (30X5) YE	0830340	10
Marker for end clamp, can be ordered: by sheet, yellow, labeled according to customer specifications, mounting type: snapped into marker carrier, lettering field size: 30 x 5 mm, Number of individual labels: 24	UCT-EM (30X5) YE CUS	0830348	1

4 Technical data

Input	
Number of inputs	1 / 1
Configurable/programmable	Yes
Voltage input signal	0 mV ... 1000 mV 0 mV ... 750 mV 0 mV ... 500 mV 0 mV ... 300 mV 0 mV ... 250 mV 0 mV ... 200 mV 0 mV ... 125 mV 0 mV ... 120 mV 0 mV ... 150 mV 0 mV ... 100 mV 0 mV ... 75 mV 0 mV ... 60 mV 0 mV ... 50 mV 0 V ... 10 V 0 V ... 7.5 V 0 V ... 5 V 0 V ... 3 V 0 V ... 2.5 V 0 V ... 2 V 0 V ... 1.5 V 0 V ... 1.25 V 0 V ... 1.2 V 0 V ... 30 V 0 V ... 25 V 0 V ... 20 V 0 V ... 12.5 V 0 V ... 12 V 0 V ... 15 V -1000 mV ... 1000 mV -750 mV ... 750 mV -500 mV ... 500 mV -300 mV ... 300 mV -250 mV ... 250 mV -200 mV ... 200 mV -125 mV ... 125 mV -120 mV ... 120 mV -150 mV ... 150 mV -100 mV ... 100 mV -75 mV ... 75 mV -60 mV ... 60 mV -50 mV ... 50 mV -10 V ... 10 V -7.5 V ... 7.5 V -5 V ... 5 V -3 V ... 3 V -2.5 V ... 2.5 V -2 V ... 2 V -1.25 V ... 1.25 V -1.2 V ... 1.2 V -1.5 V ... 1.5 V -30 V ... 30 V -25 V ... 25 V -20 V ... 20 V -12.5 V ... 12.5 V -12 V ... 12 V 1 V ... 5 V 2 V ... 10 V additional areas can be configured, see table

Input	
Max. voltage input signal	< 30 V
Current input signal	0 mA ... 40 mA 0 mA ... 30 mA 0 mA ... 20 mA 0 mA ... 12 mA 0 mA ... 10 mA 0 mA ... 8 mA 0 mA ... 7.5 mA 0 mA ... 6 mA 0 mA ... 5 mA 0 mA ... 4 mA 0 mA ... 3 mA 0 mA ... 2.5 mA 0 mA ... 2 mA 4 mA ... 20 mA 2 mA ... 10 mA 1 mA ... 5 mA
Max. current input signal	50 mA (Dielectric strength up to 30 V)
Input resistance of voltage input	~ 100 kΩ ≤ 1 V, 1 MΩ > 1 V
Input resistance current input	25 Ω (+0.7 V for test diode)
Output	
Number of outputs	1 / 1
Current output signal	4 mA ... 20 mA
Max. current output signal	32 mA
Ripple	< 10 mV _{rms} (at 600 Ω)
Load/output load current output	< 1000 Ω ((U _B - 8 V) / 22 mA)
Supply	
Supply voltage range	8 V DC ... 30 V DC (no separate supply voltage necessary)
Typical current consumption	≤ 20 mA
Power consumption	≤ 600 mW
General data	
Limit frequency (3 dB)	approx. 30 Hz
Maximum transmission error	≤ 0.1 % (of final value)
Temperature coefficient, typical	0.005 %/K
Maximum temperature coefficient	0.01 %/K
Step response (10-90%)	20 ms
Electrical isolation	Reinforced insulation in accordance with IEC 61010-1
Overvoltage category	II
Mounting position	any
Degree of protection	IP20 (not assessed by UL)
Degree of pollution	2
Rated insulation voltage	300 V (effective)

General data		
Test voltage, input/output/supply	3 kV (50 Hz, 1 min.)	
Dimensions W/H/D	6.2 mm / 109.81 mm / 119.2 mm	
Type of housing	PBT gray	
Connection data	Screw connection	Push-in connection
Conductor cross section solid with ferrule	0.2 mm ² ... 1.5 mm ²	0.2 mm ² ... 2.5 mm ²
Conductor cross section solid without ferrule	0.14 mm ² ... 2.5 mm ²	0.14 mm ² ... 2.5 mm ²
Conductor cross section flexible	0.14 mm ² ... 2.5 mm ²	0.14 mm ² ... 2.5 mm ²
Conductor cross section AWG flexible	24 ... 12	24 ... 12
Torque	0.5 Nm ... 0.6 Nm	
Stripping length	10 mm	10 mm
Ambient conditions		
Ambient temperature (operation)	-40 °C ... 70 °C	
Ambient temperature (storage/transport)	-40 °C ... 85 °C	
Permissible humidity (operation)	5 % ... 95 % (non-condensing)	
Maximum altitude for use above sea level	≤ 2000 m	
Conformance with EMC directive		
Noise immunity according to EN 61000-6-2 When being exposed to interference, there may be minimal deviations.		
Noise emission according to EN 61000-6-4		
Conformance/Approvals		
CE	CE-compliant	
ATEX (BVS 19 ATEX E 079 X)	Ⓜ II 3 G Ex ec IIC T4 Gc	
IECEX (IECEX BVS 19.0068X)	Ex ec IIC T4 Gc	
CCC / China-Ex	Ex nA IIC T4 Gc	
UL, USA/Canada	UL 508 Listed Class I, Div. 2, Groups A, B, C, D T5 Class I, Zone 2, Group IIC T5	
Shipbuilding approval (DNV GL TAA000021E)		
Temperature	B	
Humidity	B	
Vibration	A	
EMC	A	
Enclosure	Required protection according to the Rules shall be provided upon installation on board	

5 Safety regulations and installation notes

5.1 Installation notes

- The EPL Gc (ATEX category 3) device is designed for installation in zone 2 potentially explosive areas. It satisfies the requirements of the following standards. Comprehensive details are to be found in the EU Declaration of Conformity which is enclosed and also available on our website in the latest version:
IEC/EN 60079-0, IEC/EN 60079-7
GB 3836.8, GB 3836.1
- Installation, operation, and maintenance may only be carried out by qualified electricians. Follow the installation instructions as described. When installing and operating the device, the applicable regulations and safety directives (including national safety directives), as well as general regulations applicable to the technology, must be observed. The safety data can be found in this document and in the certificates (and further approvals, where applicable).
- While the devices are in operation, contact-dangerous voltages may be present on the control elements. For this reason parameterization, conductor connection, and opening of the module lid are allowed only when devices are in a de-energized state unless the connected circuits are exclusively SELV or PELV circuits.
- The device must not be opened or modified. Do not repair the device yourself, replace it with an equivalent device. Repairs may only be carried out by the manufacturer. The manufacturer is not liable for damage resulting from violation.
- The IP20 degree of protection (IEC/EN 60529) specifies that the device is intended for use in a clean and dry environment. Do not subject the device to mechanical and/or thermal stress that exceeds the specified limits.
- The device is not designed for use in atmospheres with a danger of dust explosions.
- The device complies with the EMC regulations for industrial areas (EMC class A). When using the device in residential areas, it may cause radio interference.
- If the device is not used as described in the documentation, the intended protection can be negatively affected.
- To protect the device against mechanical or electrical damage, install it in suitable housing with an appropriate degree of protection according to IEC/EN 60529.
- Provide a switch/circuit breaker close to the device, which is labeled as the disconnecting device for this device.
- Provide for an overcurrent protection device ($I \leq 4 \text{ A}$) in the installation.

- There is a double isolation of $300 V_{\text{eff}}$ between neighboring modules of the same type oriented the same way. The device has a base isolation of $150 V_{\text{eff}}$ to other neighboring modules on the side with the DIP switch.
- The voltages present at the input, output and supply are extra-low voltages (ELV). Depending on the application, dangerous voltage ($> 30 \text{ V}$) against ground could occur. For this event, safe electrical isolation from the other connections has been implemented.
- The device must be stopped if it is damaged, has been subjected to an impermissible load, stored incorrectly, or if it malfunctions.
- UL requirement: Use copper cables approved for at least $75 \text{ }^\circ\text{C}$.

5.2 Installation in Zone 2

- Observe the specified conditions for use in potentially explosive areas. Install the device in a suitable approved housing with at least IP54 protection that meets the requirements of IEC/EN 60529 and ensure sufficient UV protection or another type of recognized protection type in accordance with IEC/EN 60079-0, Section 1.
- Only devices which are designed for operation in Ex zone 2 and are suitable for the conditions at the installation location may be connected to the circuits in the Ex zone.
- In potentially explosive areas, terminals may only be snapped onto or off the DIN rail connector and wires may only be connected or disconnected when the power is switched off.
- The device must be stopped and immediately removed from the Ex area if it is damaged, was subject to an impermissible load, stored incorrectly or if it malfunctions.
- In Ex zone 2, the device may only be operated when all connectors are fully plugged in.
- The specified ambient temperature range of $-40^\circ\text{C} \leq T_{\text{amb}} \leq +70^\circ\text{C}$ refers to the temperature inside the housing.
- The switches of the device that can be accessed may only be actuated when the power supply to the device is disconnected or when it has been ensured that there is no potentially explosive atmosphere present.

5.3 UL notes

INDUSTRIAL CONTROL EQUIPMENT FOR HAZARDOUS LOCATIONS 45FP

- 1 Suitable for use in class 1, division 2, groups A, B, C and D hazardous locations, or nonhazardous locations only.
- 2 **WARNING - EXPLOSION HAZARD:** Do not disconnect equipment unless power has been removed or the area is known to be non-hazardous.
- 3 NFC communication and Bluetooth communication must not be used unless the area is known to be non-hazardous.
- 4 This device is open-type and is required to be installed in an enclosure suitable for the environment and can only be accessed with the use of a tool or key.

6 Installation

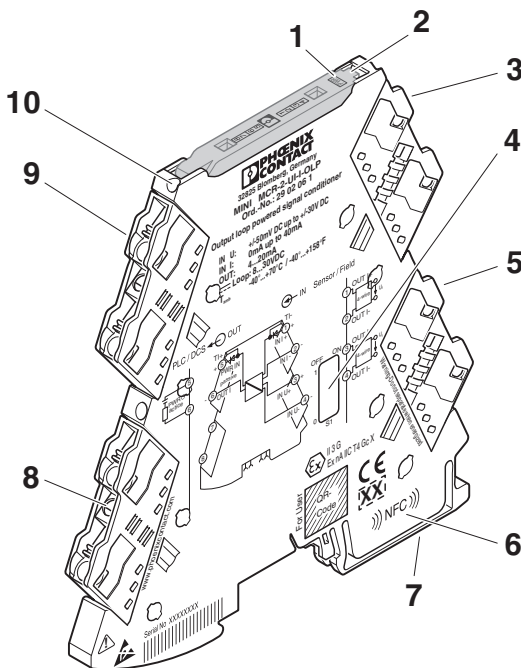
6.1 Connection notes



The device contains components that can be damaged or destroyed by electrostatic discharge. When handling the device, observe the necessary safety precautions against electrostatic discharge (ESD) according to EN 61340-5-1 and IEC 61340-5-1.

6.2 Structure

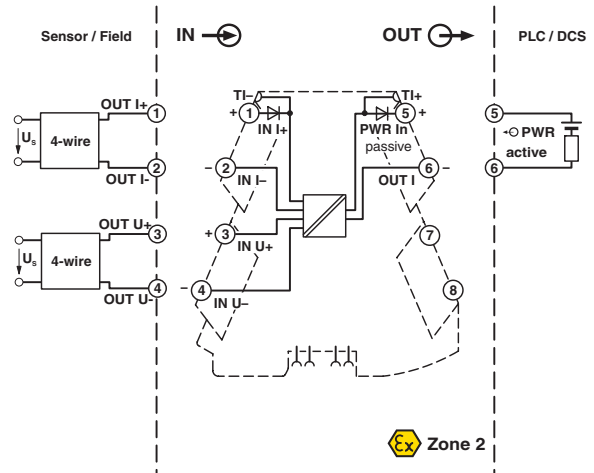
Figure 1 Structure



- 1 Green "PWR" LED, power supply
- 2 Cover with labeling option
- 3 Current input
- 4 DIP switch S1
- 5 Voltage input
- 6 NFC coil
- 7 Universal snap-on foot for EN DIN rails
- 8 Spindle screw
- 9 Current output
- 10 Current measuring socket

6.3 Block diagram

Figure 2 Block diagram

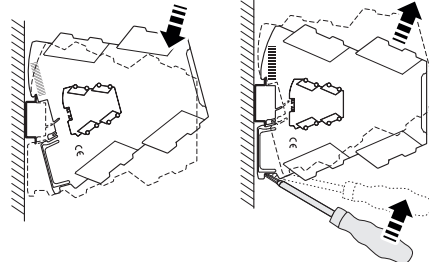


6.4 Power supply

The device is powered via the current loop of the controller.

6.5 Mounting

Figure 3 Mounting and removing



- Mount the module on a 35 mm DIN rail according to EN 60715.

An ME 6,2 TBUS-2 DIN rail connector (Order No.: 2869728) is used to supply active devices. A DIN rail connector is not necessary for operation of this loop-powered device.

This device can be snapped onto a DIN rail connector - an electrically conductive connection is not established. This means that you do not need to disconnect an existing DIN rail connector element connection.

6.6 FASTCON Pro plugs

The device has pluggable connection terminals with an integrated test disconnect terminal block, with either push-in or screw-in connection technology.

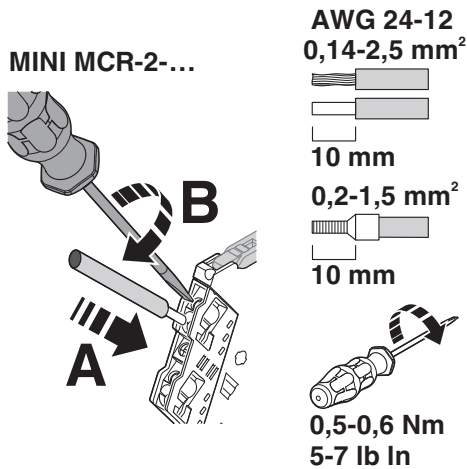
You can plug or screw the FASTCON Pro plugs onto the device directly without tools. You can use the integrated spindle screw to easily remove the plugs from the module or set the isolating position, even when the plugs are connected. For this purpose, use a screwdriver of sufficient width, e.g. SZF 1-0.6x3.5 (order number: 1204517).

The spindle screw will turn by itself when the FASTCON Pro plugs are connected. There is no need for you to fix the spindle screw in place as well.

4-way coding prevents incorrect insertion into the module.

Screw connection:

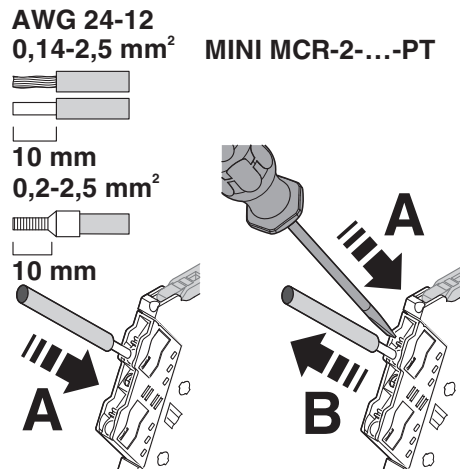
Figure 4 Screw connection



- Insert the wire into the corresponding connection terminal block.
- Use a screwdriver to tighten the screw in the opening above the connection terminal block.

Push-in connection:

Figure 5 Push-in connection



- Insert the wire into the corresponding connection terminal block.

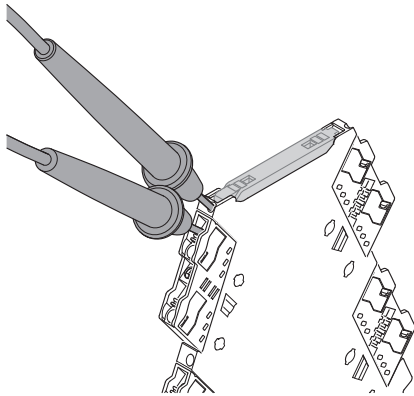
6.7 Current measurement

Thanks to integrated measurement diodes, the device enables the current to be measured without disconnecting the conductors.

Test sockets which support current measurement are marked TI+ or TI-.

For the current measurement, use 2 mm probe tips of the type Fluke TL75-1 or probe tips with a comparable tip shape.

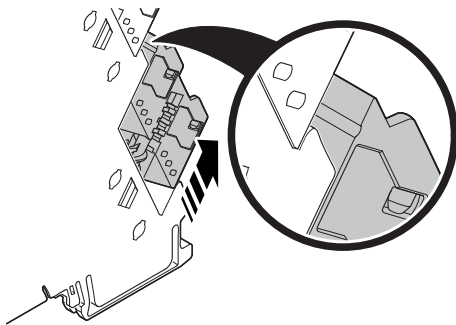
Figure 6 Test disconnect terminal block



Furthermore, individual circuits can be specifically disconnected, e.g. for commissioning.

You can set the isolating position by turning the integrated spindle screw through 180°. The isolating position is indicated by the marking on the plugs.

Figure 7 Disconnect position



6.8 Marking

Standard UCT-EM... or UC-EMLP tags are available for marking the devices and can be printed as per customer requirements. In addition, the covers provide enough space for the use of freely chosen sticky labels such as SK 5.0 WH:REEL without concealing the LED diagnostic indicators.

7 Configuration

Standard configuration for devices not configured to order:

Input 2 V ... 10 V, output 4 mA ... 20 mA (all DIP switches in position "off"; transmission error <0.1%).

Using DIP switch S1, specify the combination of input and output standard signal ranges.

IN			DIP S1										Terminal	
unipolar	bipolar	Live zero	1	2	3	4	5	6	7	8	9	0		
0 ... 2 mA	±2 mA				•	•	•	•	•	•	•	•	(1)	(2)
0 ... 2.5 mA	±2.5 mA				•	•	•	•	•	•	•	•	(1)	(2)
0 ... 3 mA	±3 mA				•	•	•	•	•	•	•	•	(1)	(2)
0 ... 4 mA	±4 mA				•	•	•	•	•	•	•	•	(1)	(2)
0 ... 5 mA	±5 mA	1 ... 5 mA			•	•	•	•	•	•	•	•	(1)	(2)
0 ... 6 mA	±6 mA				•	•	•	•	•	•	•	•	(1)	(2)
0 ... 7.5 mA	±7.5 mA				•	•	•	•	•	•	•	•	(1)	(2)
0 ... 8 mA	±8 mA				•	•	•	•	•	•	•	•	(1)	(2)
0 ... 10 mA	±10 mA	2 ... 10 mA			•	•	•	•	•	•	•	•	(1)	(2)
0 ... 12 mA	±12 mA				•	•	•	•	•	•	•	•	(1)	(2)
0 ... 20 mA	±20 mA	4 ... 20 mA			•	•	•	•	•	•	•	•	(1)	(2)
0 ... 30 mA	±30 mA				•	•	•	•	•	•	•	•	(1)	(2)
0 ... 40 mA	±40 mA				•	•	•	•	•	•	•	•	(1)	(2)
0 ... 50 mV	±50 mV		•	•	•	•	•	•	•	•	•	•	(3)	(4)
0 ... 60 mV	±60 mV		•	•	•	•	•	•	•	•	•	•	(3)	(4)
0 ... 75 mV	±75 mV		•	•	•	•	•	•	•	•	•	•	(3)	(4)
0 ... 100 mV	±100 mV		•	•	•	•	•	•	•	•	•	•	(3)	(4)
0 ... 120 mV	±120 mV		•	•	•	•	•	•	•	•	•	•	(3)	(4)
0 ... 125 mV	±125 mV		•	•	•	•	•	•	•	•	•	•	(3)	(4)
0 ... 150 mV	±150 mV		•	•	•	•	•	•	•	•	•	•	(3)	(4)
0 ... 200 mV	±200 mV		•	•	•	•	•	•	•	•	•	•	(3)	(4)
0 ... 250 mV	±250 mV		•	•	•	•	•	•	•	•	•	•	(3)	(4)
0 ... 300 mV	±300 mV		•	•	•	•	•	•	•	•	•	•	(3)	(4)
0 ... 500 mV	±500 mV		•	•	•	•	•	•	•	•	•	•	(3)	(4)
0 ... 750 mV	±750 mV		•	•	•	•	•	•	•	•	•	•	(3)	(4)
0 ... 1000 mV	±1000 mV		•	•	•	•	•	•	•	•	•	•	(3)	(4)
0 ... 1.2 V	±1.2 V		•	•	•	•	•	•	•	•	•	•	(3)	(4)
0 ... 1.25 V	±1.25 V		•	•	•	•	•	•	•	•	•	•	(3)	(4)
0 ... 1.5 V	±1.5 V		•	•	•	•	•	•	•	•	•	•	(3)	(4)
0 ... 2 V	±2 V		•	•	•	•	•	•	•	•	•	•	(3)	(4)
0 ... 2.5 V	±2.5 V		•	•	•	•	•	•	•	•	•	•	(3)	(4)
0 ... 3 V	±3 V		•	•	•	•	•	•	•	•	•	•	(3)	(4)
0 ... 5 V	±5 V	1 ... 5 V	•	•	•	•	•	•	•	•	•	•	(3)	(4)
0 ... 7.5 V	±7.5 V		•	•	•	•	•	•	•	•	•	•	(3)	(4)
0 ... 10 V	±10 V	2 ... 10 V	•	•	•	•	•	•	•	•	•	•	(3)	(4)
0 ... 12 V	±12 V		•	•	•	•	•	•	•	•	•	•	(3)	(4)
0 ... 12.5 V	±12.5 V		•	•	•	•	•	•	•	•	•	•	(3)	(4)
0 ... 15 V	±15 V		•	•	•	•	•	•	•	•	•	•	(3)	(4)
0 ... 20 V	±20 V		•	•	•	•	•	•	•	•	•	•	(3)	(4)
0 ... 25 V	±25 V		•	•	•	•	•	•	•	•	•	•	(3)	(4)
0 ... 30 V	±30 V		•	•	•	•	•	•	•	•	•	•	(3)	(4)
Signal conversion	IN bipolar /	OUT Live zero (4 ... 20 mA)												
	IN unipolar /	OUT Live zero (4 ... 20 mA)												
	IN Live zero /	OUT Live zero (4 ... 20 mA)												



Additional signal combinations that are not listed in the table are available on request.

8 Status indicator

Green LED	PWR	Supply voltage
	Lit	Supply voltage present