

Antenna - RAD-ISM-2400-ANT-OMNI-6-0 - 2885919

Please be informed that the data shown in this PDF Document is generated from our Online Catalog. Please find the complete data in the user's documentation. Our General Terms of Use for Downloads are valid (<http://phoenixcontact.com/download>)

Omnidirectional antenna, 2.4 GHz, gain: 6 dBi, polarization: linear, opening angle: h/v 360°/30°, degree of protection: IP67, seawater-resistant, connection: N (female), incl. mounting bracket and mast clamps, ATEX and IECEx approval




Your advantages

- For use in potentially explosive areas
- Salt water resistant
- For medium distances
- For freely mobile applications
- For multipoint or mesh connections



Key Commercial Data

Packing unit	1 pc
GTIN	 4 046356 146319
GTIN	4046356146319

Technical data

Dimensions

Width	22 mm
Height	250 mm

Ambient conditions

Degree of protection	IP67
Ambient temperature (operation)	-40 °C ... 75 °C
Ambient temperature (storage/transport)	-40 °C ... 75 °C

General

With connecting cable	No
Frequency range	2.4 GHz
	2.4 GHz ... 2.5 GHz
Horizontal beamwidth	360 °

Antenna - RAD-ISM-2400-ANT-OMNI-6-0 - 2885919

Technical data

General

Vertical beamwidth	30 °
Polarization	Linear vertical
Impedance	50 Ω
Gain	6 dBi
Connection method	N (female)
Conformance	CE-compliant
ATEX	# II 1G Ex ia IIC T6 Ga
IECEX	Ex ia IIC T6 Ga
Material	Fiberglass-reinforced plastic (Antenna housing)
	V2A (Bracket)
	V2A (Mast clamp)
Mounting type	Mast mounting or wall mounting
External diameter	25 mm ... 100 mm (Mast)

Standards and Regulations

Standards/specifications	EN 60079-0 EN 60079-11 EN 60079-26
Conformance	CE-compliant
ATEX	# II 1G Ex ia IIC T6 Ga
IECEX	Ex ia IIC T6 Ga

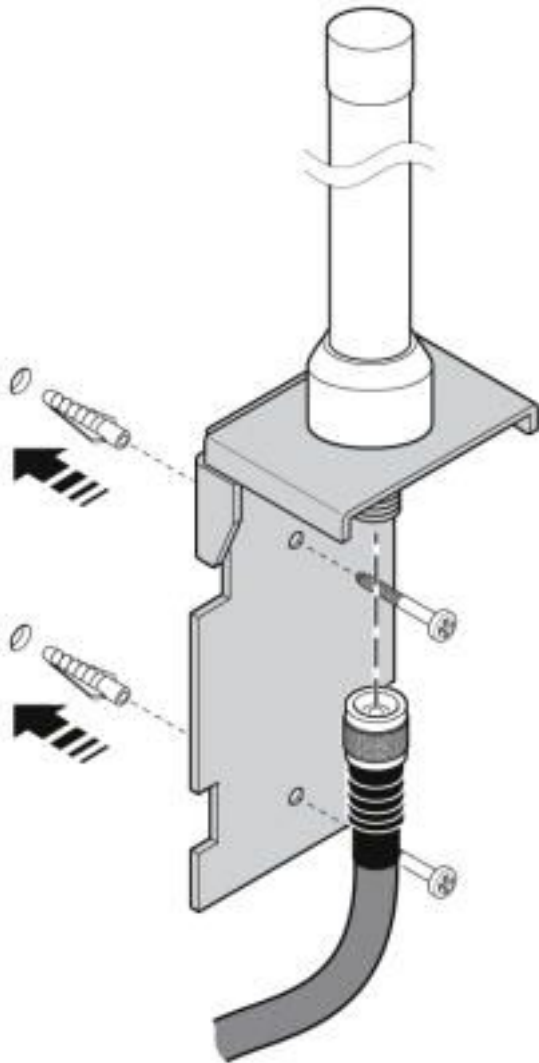
Environmental Product Compliance

China RoHS	Environmentally friendly use period: unlimited = EFUP-e
	No hazardous substances above threshold values

Drawings

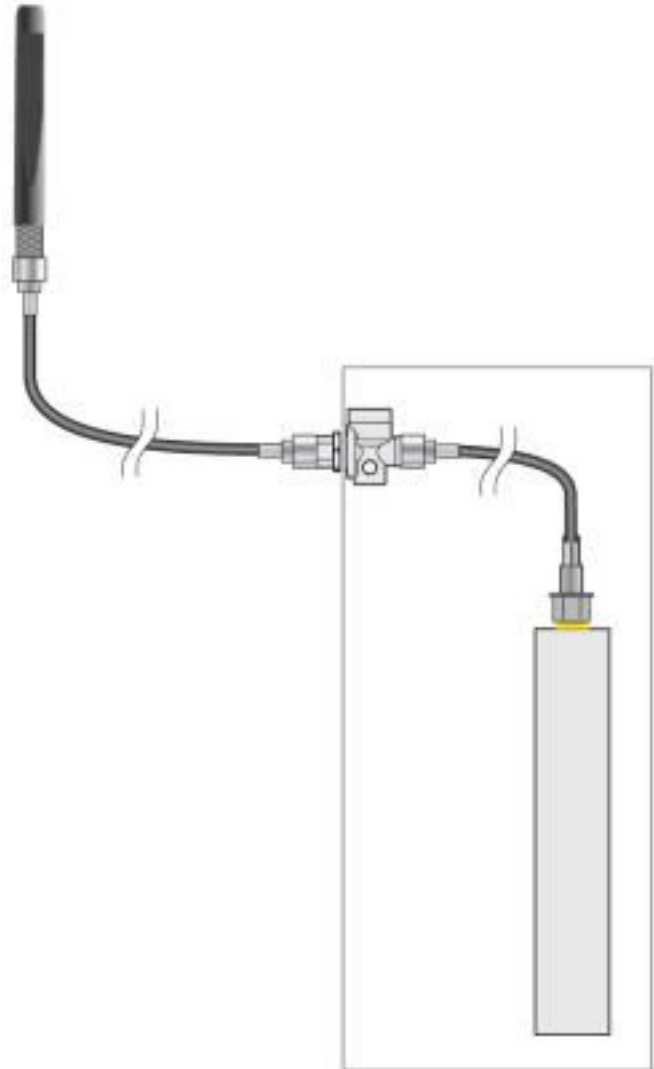
Antenna - RAD-ISM-2400-ANT-OMNI-6-0 - 2885919

Schematic diagram



Wall mounting

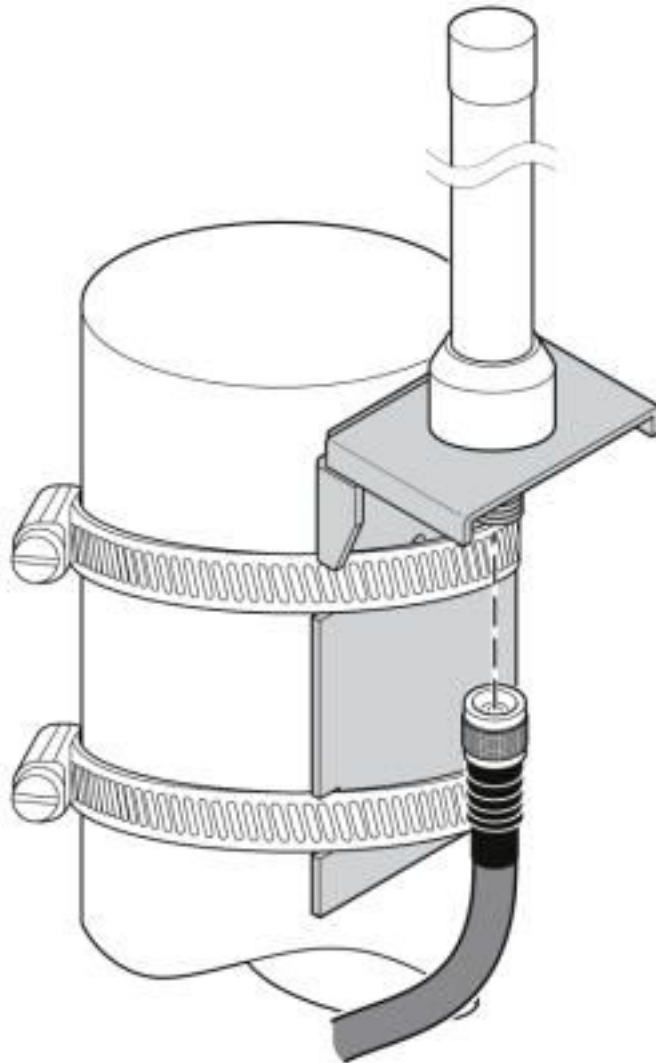
Schematic diagram



Installation example

Antenna - RAD-ISM-2400-ANT-OMNI-6-0 - 2885919

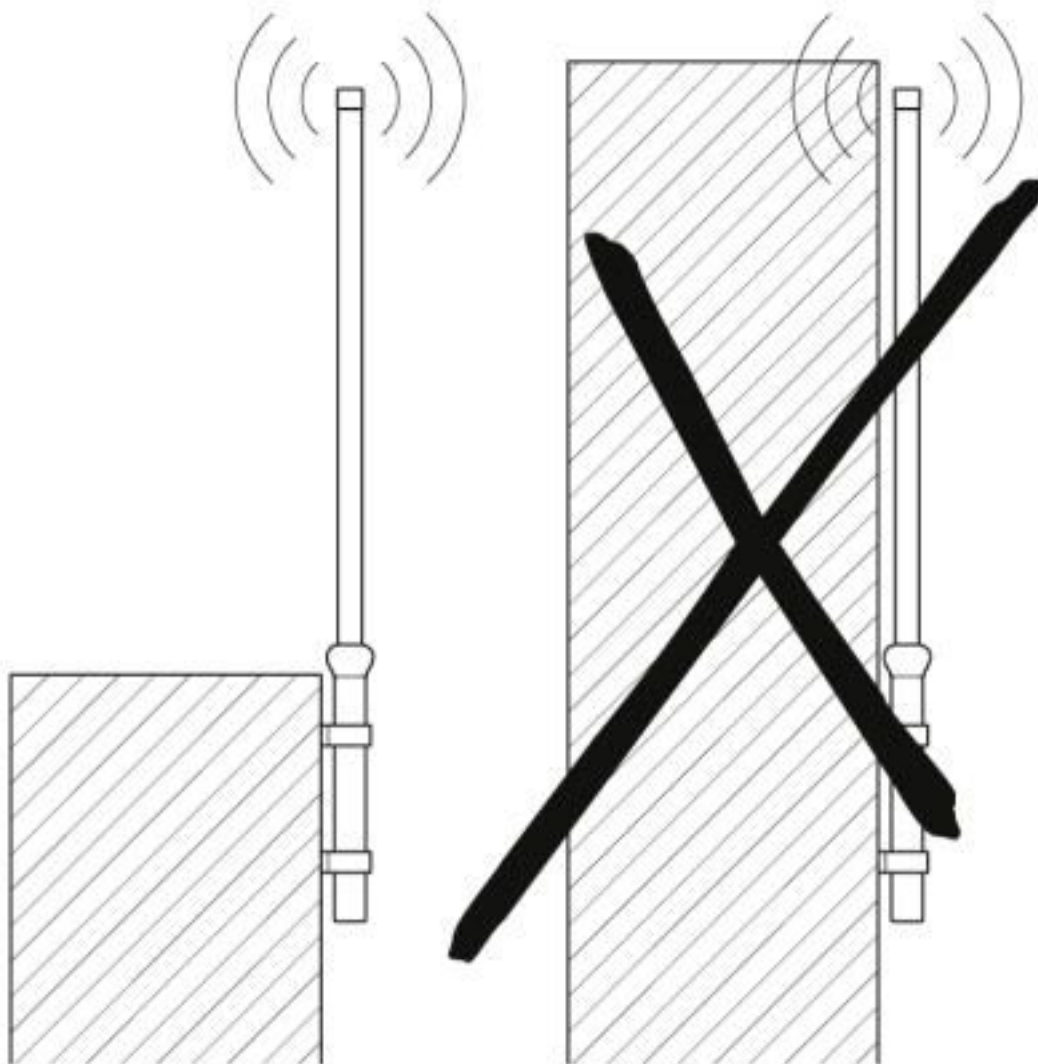
Schematic diagram



Mast mounting

Antenna - RAD-ISM-2400-ANT-OMNI-6-0 - 2885919

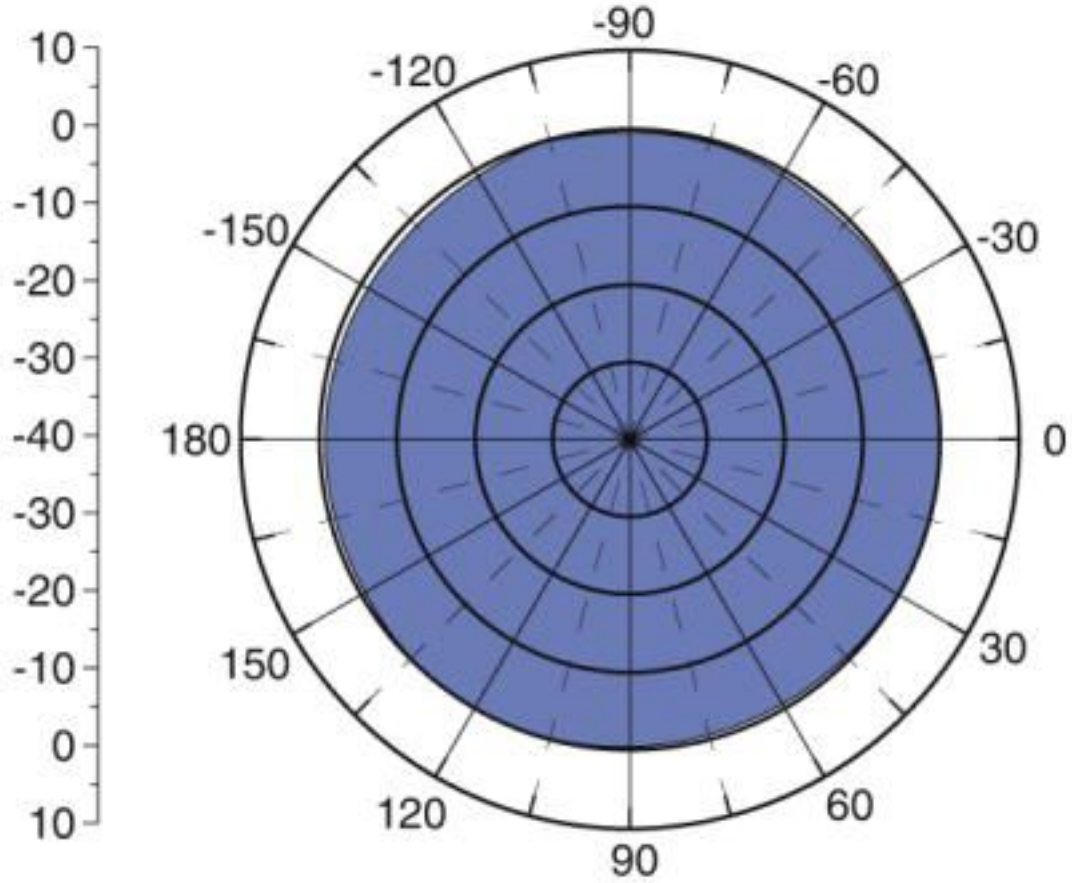
Schematic diagram



Wall mounting

Antenna - RAD-ISM-2400-ANT-OMNI-6-0 - 2885919

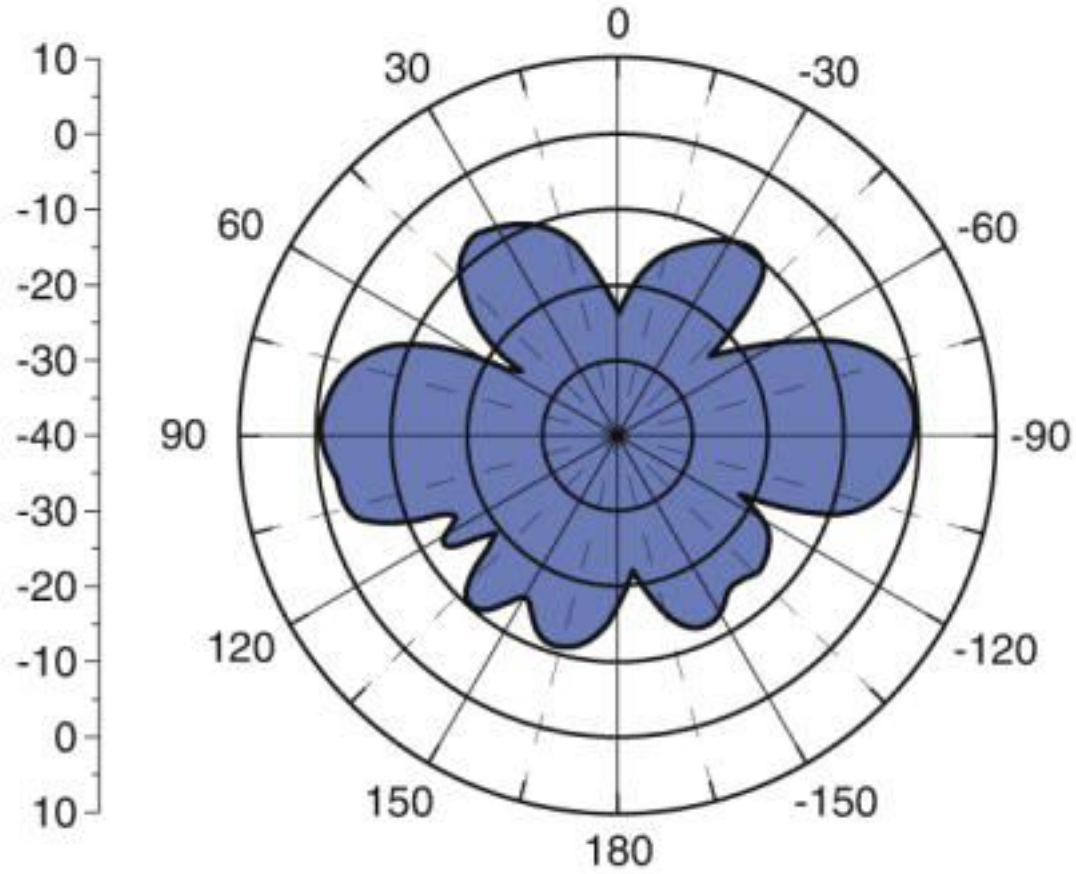
Diagram



Horizontal

Antenna - RAD-ISM-2400-ANT-OMNI-6-0 - 2885919

Diagram



Vertical

Classifications

eCl@ss

eCl@ss 10.0.1	19070105
eCl@ss 4.0	27250300
eCl@ss 4.1	27250300
eCl@ss 5.0	19070100
eCl@ss 5.1	19070100
eCl@ss 6.0	19070100
eCl@ss 7.0	19070105
eCl@ss 8.0	19070105
eCl@ss 9.0	19070105

ETIM

ETIM 2.0	EC000416
ETIM 3.0	EC001698
ETIM 4.0	EC001698

Antenna - RAD-ISM-2400-ANT-OMNI-6-0 - 2885919

Classifications

ETIM

ETIM 5.0	EC001698
ETIM 6.0	EC001698
ETIM 7.0	EC001698

UNSPSC

UNSPSC 6.01	43171611
UNSPSC 7.0901	43221706
UNSPSC 11	43171611
UNSPSC 12.01	43221706
UNSPSC 13.2	43221715
UNSPSC 18.0	43221715
UNSPSC 19.0	43221715
UNSPSC 20.0	43221715
UNSPSC 21.0	43221715

Phoenix Contact 2020 © - all rights reserved
<http://www.phoenixcontact.com>

PHOENIX CONTACT GmbH & Co. KG
Flachsmarktstr. 8
32825 Blomberg
Germany
Tel. +49 5235 300
Fax +49 5235 3 41200
<http://www.phoenixcontact.com>

Mouser Electronics

Authorized Distributor

Click to View Pricing, Inventory, Delivery & Lifecycle Information:

[Phoenix Contact:](#)

[2885919](#)