

# Resistance/potiposition transducer - MINI MCR-SL-R-UI - 2864095

Please be informed that the data shown in this PDF Document is generated from our Online Catalog. Please find the complete data in the user's documentation. Our General Terms of Use for Downloads are valid (<http://phoenixcontact.com/download>)



MCR potiposition transducer for conversion of potentiometer positions into a standard analog signal, 0 Ω input... 100 Ω to 0 kΩ ... 100 kΩ

## Product Description

The narrow 6.2 mm MINI MCR-SL-R-UI... potiposition transducer converts potentiometer positions into a standard analog signal on a percentage basis. If the potentiometer range cannot be utilized to the full, an externally accessible slide switch is used to set the upper and lower potentiometer final values. The output signal between 0% and 100% is based on this set final value.

The DIP switches, which can be accessed on the side of the housing, are used to configure the following parameters:

- Output signal
- Automatic potentiometer detection
- Wire-break detection slider
- Type of error evaluation

Power (19.2 V DC to 30 V DC) can either be supplied via the connection terminal blocks of the modules or in conjunction with the DIN rail connector.

## Your advantages

- ✓ Power supply possible via the foot element (TBUS)
- ✓ Automatic potentiometer detection without manual adjustment
- ✓ Error indication via diagnostic LED and analog signal
- ✓ For 100 Ω to 100 kΩ potentiometers
- ✓ potentiometer signals to create standard signals
- ✓ Configurable measuring range and output signals
- ✓ Highly-compact potentiometer transducer for electrical isolation, conversion, amplification, and filtering of
- ✓ Input and output signals can be configured via DIP switches
- ✓ 3-way isolation
- ✓ A potentiometer sub-range can be linearized via the "teach-in" switch on the device



## Key Commercial Data

Packing unit	1 pc
GTIN	
GTIN	4046356046442

# Resistance/potipotition transducer - MINI MCR-SL-R-UI - 2864095

## Technical data

### Note

Utilization restriction	EMC: class A product, see manufacturer's declaration in the download area
-------------------------	---

### Dimensions

Width	6.2 mm
Height	93.1 mm
Depth	101.2 mm

### Ambient conditions

Ambient temperature (operation)	-20 °C ... 65 °C
Ambient temperature (storage/transport)	-40 °C ... 85 °C
Maximum altitude	≤ 2000 m
Permissible humidity (operation)	5 % ... 95 % (non-condensing)
Degree of protection	IP20
Noise immunity	EN 61000-6-2 When being exposed to interference, there may be minimal deviations.

### Input data

Potentiometer	100 Ω ... 100 kΩ
Reference voltage source	< 3.6 V

### Output data

Voltage output signal	0 V ... 5 V
	0 V ... 10 V
	1 V ... 5 V
	10 V ... 0 V
Current output signal	0 mA ... 20 mA
	4 mA ... 20 mA
	20 mA ... 0 mA
	20 mA ... 4 mA
Max. voltage output signal	12.5 V
Max. current output signal	23 mA
Load/output load voltage output	> 10 kΩ
Load/output load current output	< 500 Ω (20 mA)

### Power supply

Nominal supply voltage	24 V DC
Supply voltage range	19.2 V DC ... 30 V DC (The DIN rail bus connector (ME 6,2 TBUS-2 1,5/5-ST-3,81 GN, Order No. 2869728) can be used to bridge the supply voltage. It can be snapped onto a 35 mm DIN rail according to EN 60715))
Typical current consumption	< 25 mA (at 24 V DC)
Power consumption	< 500 mW

### Connection data

# Resistance/potiposition transducer - MINI MCR-SL-R-UI - 2864095

## Technical data

### Connection data

Connection method	Screw connection
Stripping length	12 mm
Screw thread	M3
Conductor cross section solid	0.2 mm <sup>2</sup> ... 2.5 mm <sup>2</sup>
Conductor cross section flexible	0.2 mm <sup>2</sup> ... 2.5 mm <sup>2</sup>
Conductor cross section AWG	26 ... 12

### General

Maximum transmission error	< 0.2 %
Maximum temperature coefficient	< 0.02 %/K
Temperature coefficient, typical	< 0.02 %/K
Ambient temperature (operation)	-20 °C ... 65 °C
Ambient temperature (storage/transport)	-40 °C ... 85 °C
Housing material	PBT
Color	green
Conformance	CE-compliant
ATEX	# II 3 G Ex nA IIC T4 Gc X
UL, USA/Canada	UL 508 Recognized

### EMC data

Designation	Electromagnetic RF field
Standards/regulations	EN 61000-4-3
Typical deviation from the measuring range final value	5 %
Designation	Fast transients (burst)
Standards/regulations	EN 61000-4-4
Typical deviation from the measuring range final value	5 %
Designation	Conducted interferences
Standards/regulations	EN 61000-4-6
Typical deviation from the measuring range final value	5 %

### Standards and Regulations

Electromagnetic compatibility	Conformance with EMC directive
Noise emission	EN 61000-6-4
Connection in acc. with standard	CUL
Designation	Electromagnetic RF field
Standards/regulations	EN 61000-4-3
	EN 61000-4-4
Designation	Conducted interferences
Standards/regulations	EN 61000-4-6
Electrical isolation	Basic insulation according to EN 61010
Conformance	CE-compliant
ATEX	# II 3 G Ex nA IIC T4 Gc X

# Resistance/potiposition transducer - MINI MCR-SL-R-UI - 2864095

## Technical data

### Standards and Regulations

UL, USA/Canada	UL 508 Recognized
	Class I, Div. 2, Groups A, B, C, D T4

### Conformance/approvals

Designation	CE
Identification	CE-compliant
Designation	ATEX
Identification	# II 3 G Ex nA IIC T4 Gc X
Designation	UL, USA/Canada
Identification	UL 508 Recognized
	Class I, Div. 2, Groups A, B, C, D T4
Designation	Shipbuilding approval
Identification	BBBAA
Certificate	DNV GL TAA0000N1

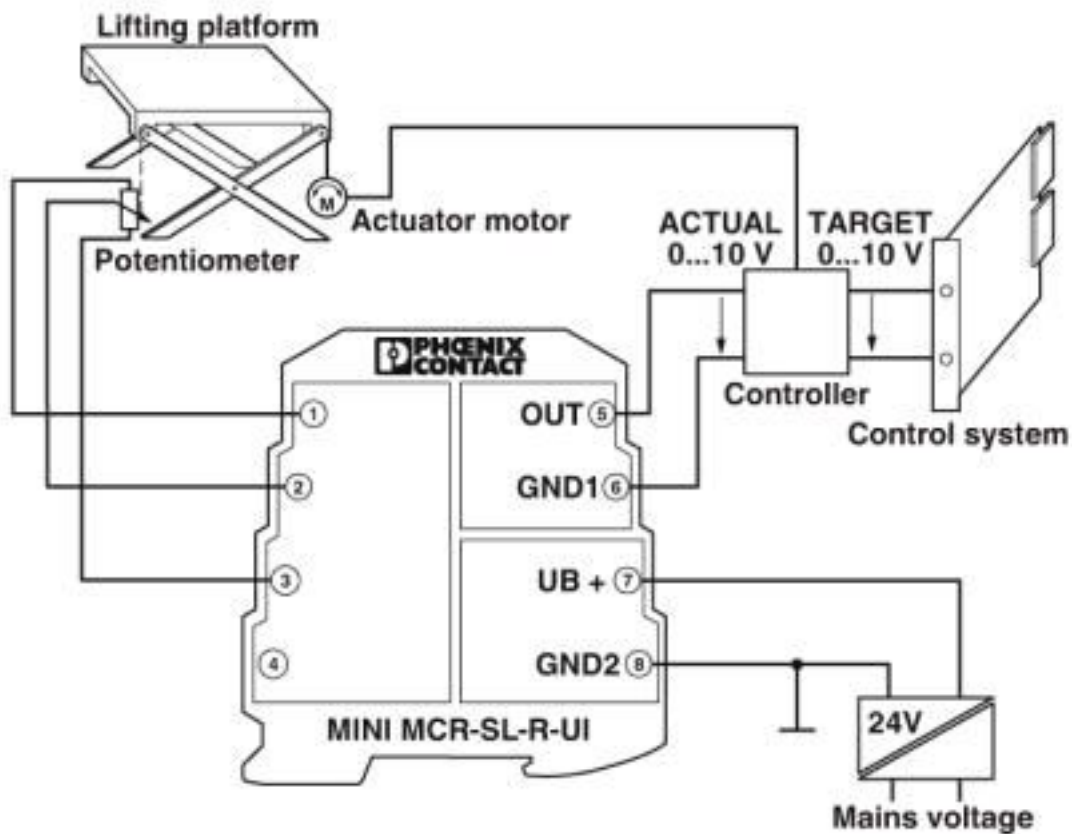
### Environmental Product Compliance

REACH SVHC	Lead 7439-92-1
China RoHS	Environmentally Friendly Use Period = 50 years
	For details about hazardous substances go to tab "Downloads", Category "Manufacturer's declaration"

## Drawings

# Resistance/potiposition transducer - MINI MCR-SL-R-UI - 2864095

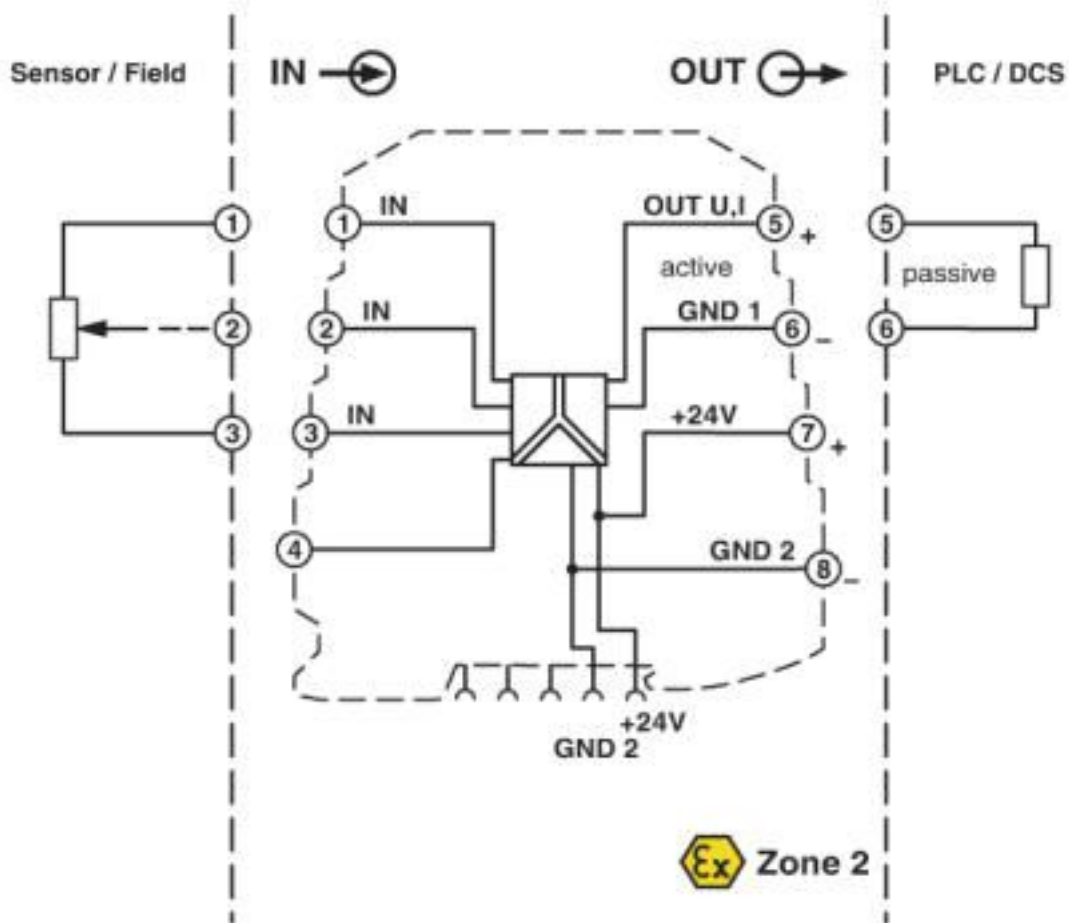
Application drawing



Height adjustment of a lifting platform with setpoint and actual value control

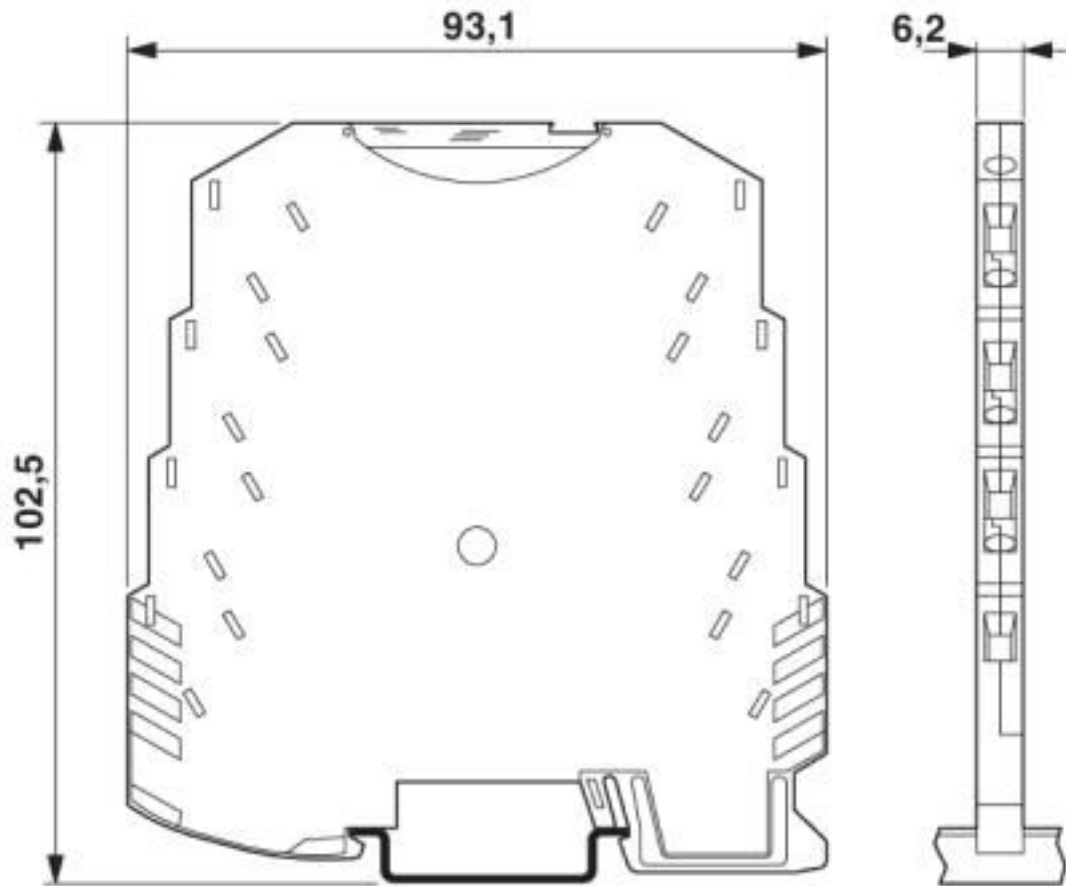
# Resistance/potipotition transducer - MINI MCR-SL-R-UI - 2864095

Block diagram



# Resistance/potipotition transducer - MINI MCR-SL-R-UI - 2864095

Dimensional drawing



## Classifications

### eCl@ss

eCl@ss 10.0.1	27210120
eCl@ss 4.0	27210100
eCl@ss 4.1	27210100
eCl@ss 5.0	27210100
eCl@ss 5.1	27210100
eCl@ss 6.0	27210100
eCl@ss 7.0	27210120
eCl@ss 8.0	27210120
eCl@ss 9.0	27210120

### ETIM

ETIM 4.0	EC002653
ETIM 5.0	EC002653
ETIM 6.0	EC002653
ETIM 7.0	EC002653

# Resistance/potiposition transducer - MINI MCR-SL-R-UI - 2864095

## Classifications

### UNSPSC

UNSPSC 6.01	30211506
UNSPSC 7.0901	39121008
UNSPSC 11	39121008
UNSPSC 12.01	39121008
UNSPSC 13.2	39121008
UNSPSC 18.0	39121008
UNSPSC 19.0	39121008
UNSPSC 20.0	39121008
UNSPSC 21.0	39121008

## Approvals

### Approvals

#### Approvals

DNV GL / UL Recognized / cUL Recognized / EAC / cULus Recognized

#### Ex Approvals

ATEX / UL Listed / cUL Listed / cULus Listed

### Approval details

DNV GL		<a href="https://approvalfinder.dnvgl.com/">https://approvalfinder.dnvgl.com/</a>	TAA00000N1
--------	--	---	------------

UL Recognized		<a href="http://database.ul.com/cgi-bin/XYV/template/LISEXT/1FRAME/index.htm">http://database.ul.com/cgi-bin/XYV/template/LISEXT/1FRAME/index.htm</a>	FILE E 238705
---------------	--	---	---------------

cUL Recognized		<a href="http://database.ul.com/cgi-bin/XYV/template/LISEXT/1FRAME/index.htm">http://database.ul.com/cgi-bin/XYV/template/LISEXT/1FRAME/index.htm</a>	FILE E 238705
----------------	--	---	---------------

EAC			RU C- DE.A*30.B.01082
-----	--	--	--------------------------



## Resistance/potiposition transducer - MINI MCR-SL-R-UI - 2864095

### Approvals

cULus Recognized



### Accessories

#### Accessories

##### DIN rail connector

DIN rail bus connectors - ME 6,2 TBUS-2 1,5/5-ST-3,81 GN - 2869728



DIN rail connector for DIN rail mounting. Universal for TBUS housing. Gold-plated contacts, 5-pos.

### Marking material

Transparent cover - MINI MCR DKL - 2308111



Fold up transparent cover for MINI MCR modules with additional labeling option using insert strips and flat Zack marker strip 6.2 mm

Marking label - MINI MCR-DKL-LABEL - 2810272



Label for extended marking of MINI MCR modules in connection with the MINI MCR-DKL

### Power module

Power terminal block - MINI MCR-SL-PTB - 2864134



MCR power terminal block for supplying several MINI Analog modules via the DIN rail connector, with screw connection, maximum current consumption of up to 2 A

## Resistance/potiposition transducer - MINI MCR-SL-R-UI - 2864095

### Accessories

Power terminal block - MINI MCR-SL-PTB-SP - 2864147



MCR feed-in terminal for supplying several MINI Analog modules via a DIN rail connector, with spring-cage connection, maximum current consumption of up to 2 A. Replacement part: 2902067 MINI MCR-2-PTB-PT.

---

### Power supply

Power supply unit - MINI-SYS-PS-100-240AC/24DC/1.5 - 2866983



Primary-switched MINI POWER supply for DIN rail mounting, input: 1-phase, output: 24 V DC/1.5 A

---

Power supply unit - MINI-PS-100-240AC/24DC/1.5/EX - 2866653



Primary-switched power supply MINI POWER for DIN rail mounting, input: 1-phase, output: 24 V DC/1,5 A, for the potentially explosive area

---

### System adapter

System adapter - MINI MCR-SL-V8-FLK 16-A - 2811268



Eight MINI analog signal converters with screw connection method can be connected to a control system using a system adapter and system cabling with a minimum of wiring and very low error risk.

---

# Mouser Electronics

Authorized Distributor

Click to View Pricing, Inventory, Delivery & Lifecycle Information:

[Phoenix Contact:](#)

[2864095](#)