

Surge protection device - CN-LAMBDA/4-5.9-BB - 2838490

Please be informed that the data shown in this PDF Document is generated from our Online Catalog. Please find the complete data in the user's documentation. Our General Terms of Use for Downloads are valid (<http://phoenixcontact.com/download>)




Attachment plug with Lambda/4 technology as surge protection for coaxial signal interfaces. Connection: N connectors socket-socket

Your advantages

- ✓ High HF power in the kW range
- ✓ Outdoor surge protection
- ✓ As an adapter between devices and cables
- ✓ Maintenance-free surge protection with LAMBDA/4 technology
- ✓ Low protection level

Key Commercial Data

Packing unit	1 pc
GTIN	 4 046356 285629
GTIN	4046356285629

Technical data

Dimensions

Height	38 mm
Width	26.1 mm
Depth	60 mm

Ambient conditions

Ambient temperature (operation)	-40 °C ... 90 °C
Degree of protection	IP68

General

Housing material	Brass (CuZn)
Color	nickel
Mounting type	Connection-specific intermediate plugging
Type	Attachment plug

Surge protection device - CN-LAMBDA/4-5.9-BB - 2838490

Technical data

General

Number of positions	1
Direction of action	Line-Shield/Earth Ground

Protective circuit

IEC test classification	C2
	C3
	D1
VDE requirement class	C2
	C3
	D1
Rated current	5 A (25 °C)
Nominal discharge current I_n (8/20) μ s (line-earth)	50 kA
Nominal discharge current I_n (8/20) μ s (line-shield)	50 kA
Pulse discharge current I_{imp} (10/350) μ s (line-earth)	≤ 20 kA
Total discharge current I_{total} (8/20) μ s	60 kA
Total discharge current I_{total} (10/350) μ s	20 kA
Max. discharge current I_{max} (8/20) μ s maximum (line-earth)	60 kA
Max. discharge current I_{max} (8/20) μ s maximum (line-shield)	60 kA
Output voltage limitation at 1 kV/ μ s (line-earth) spike	≤ 11 V (6 kV / 3 kA)
Output voltage limitation at 1 kV/ μ s (line-shield) spike	≤ 11 V (6 kV / 3 kA)
Output voltage limitation at 1 kV/ μ s (line-earth) static	≤ 11 V (6 kV / 3 kA)
Output voltage limitation at 1 kV/ μ s (line-shield) static	≤ 11 V (6 kV / 3 kA)
Voltage protection level U_p (line-earth)	≤ 11 V (6 kV / 3 kA)
Voltage protection level U_p (line-shield)	≤ 11 V (6 kV / 3 kA)
Input attenuation aE, asym.	typ. 0.05 dB (≤ 0.15 dB)
Frequency range	2.4 GHz ... 5.9 GHz
Standing wave ratio SWR in a 50 Ω system	typ. 1.1 (≤ 1.20 (2.4 GHz...5.9 GHz))
Permissible HF power P_{max} at VSWR = xx (50 ohm system)	≤ 500 W
	≤ 4 kW (peak)
Surge protection fault message	none
Impulse durability (line-earth)	C2 - 10 kV / 5 kA
	D1 - 2.5 kA
Impulse durability (line-shield)	C2 - 10 kV/5 kA
	D1 - 2.5 kA

Connection data

Connection method	N Connector
Connection method IN	N connector, female
Connection method OUT	N connector, female

Standards and Regulations

Standards/specifications	IEC 61643-21 2005
--------------------------	-------------------

Surge protection device - CN-LAMBDA/4-5.9-BB - 2838490

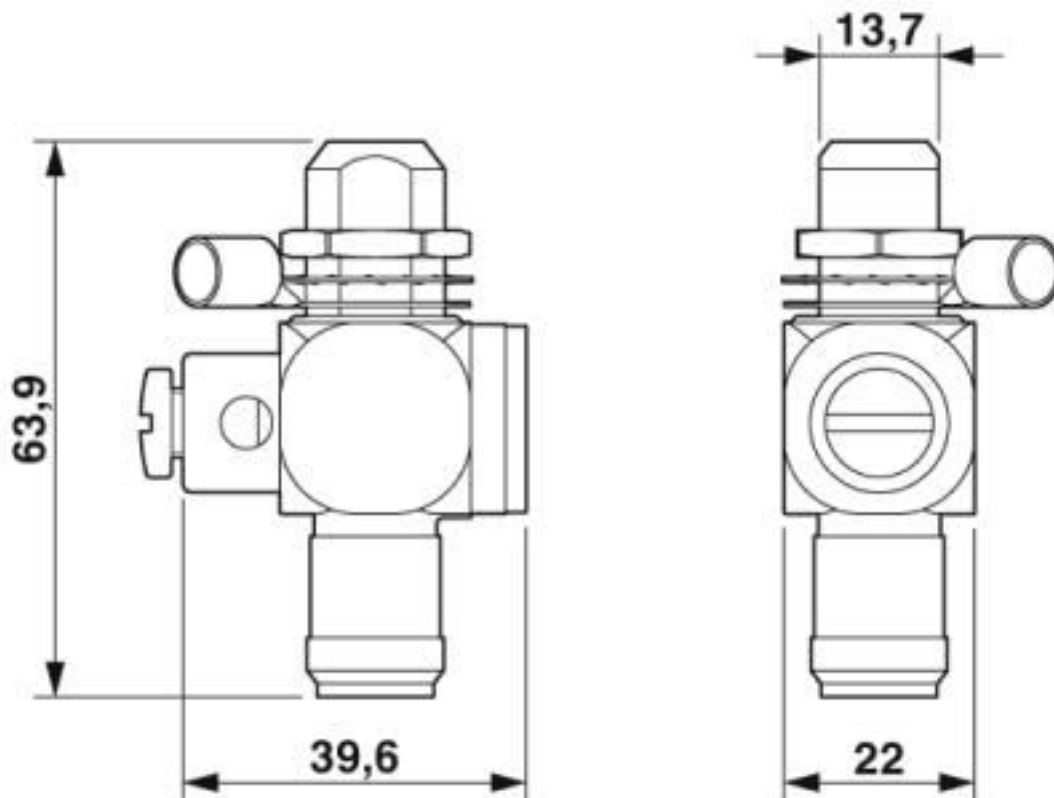
Technical data

Environmental Product Compliance

China RoHS	Environmentally friendly use period: unlimited = EFUP-e
	No hazardous substances above threshold values

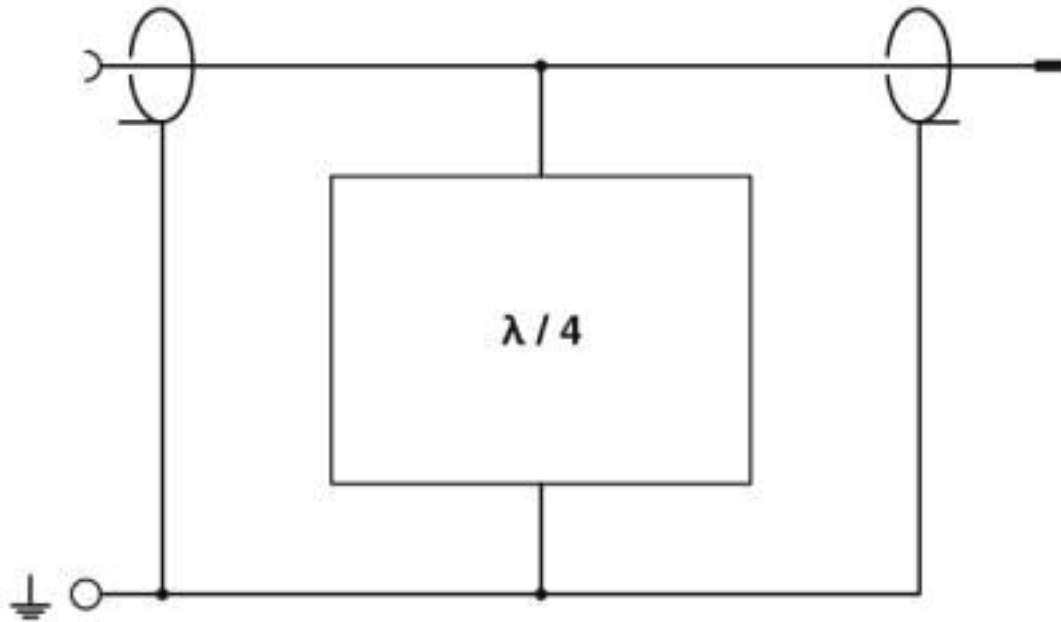
Drawings

Dimensional drawing



Surge protection device - CN-LAMBDA/4-5.9-BB - 2838490

Circuit diagram



Classifications

eCl@ss

eCl@ss 10.0.1	27130807
eCl@ss 4.0	27130800
eCl@ss 4.1	27130800
eCl@ss 5.0	27130800
eCl@ss 5.1	27130800
eCl@ss 6.0	27130800
eCl@ss 7.0	27130807
eCl@ss 8.0	27130807
eCl@ss 9.0	27130807

ETIM

ETIM 2.0	EC000943
ETIM 3.0	EC000943
ETIM 4.0	EC000943
ETIM 5.0	EC000943
ETIM 6.0	EC000943
ETIM 7.0	EC000943

UNSPSC

UNSPSC 6.01	30212010
UNSPSC 7.0901	39121610
UNSPSC 11	39121610

Surge protection device - CN-LAMBDA/4-5.9-BB - 2838490

Classifications

UNSPSC

UNSPSC 12.01	39121610
UNSPSC 13.2	39121620
UNSPSC 18.0	39121620
UNSPSC 19.0	39121620
UNSPSC 20.0	39121620
UNSPSC 21.0	39121620

Approvals

Approvals

Approvals

EAC / EAC

Ex Approvals

Approval details

EAC		EAC-Zulassung
-----	--	---------------

EAC		RU C- DE.*09.B.00169
-----	--	-------------------------

Accessories

Accessories

Assembly adapter

Mounting plate - CN-UB/MP - 2818135



Tongue for attaching the CN-UB..., to housing panels, for example.

Surge protection device - CN-LAMBDA/4-5.9-BB - 2838490

Accessories

Mounting plate - CN-UB/MP-90DEG-50 - 2803137



Angled bracket for individually fixing CN-UB... to housing panels, for example.

Additional products

Mounting plate - CN-UB/MP - 2818135



Tongue for attaching the CN-UB..., to housing panels, for example.

Phoenix Contact 2020 © - all rights reserved
<http://www.phoenixcontact.com>

PHOENIX CONTACT GmbH & Co. KG
Flachsmarktstr. 8
32825 Blomberg
Germany
Tel. +49 5235 300
Fax +49 5235 3 41200
<http://www.phoenixcontact.com>

Mouser Electronics

Authorized Distributor

Click to View Pricing, Inventory, Delivery & Lifecycle Information:

[Phoenix Contact:](#)

[2838490](#)