

Temperature measuring transducer - MACX MCR-T-UIREL-UP - 2811378

Please be informed that the data shown in this PDF Document is generated from our Online Catalog. Please find the complete data in the user's documentation. Our General Terms of Use for Downloads are valid (<http://phoenixcontact.com/download>)




Freely programmable temperature transducer with analog output and 3 limit value relays, standard configuration, resistance thermometer in 2-, 3-, or 4-wire technology, thermocouples, electrical isolation, wide-range power supply, screw connection, SIL, PL.

Your advantages

- ✓ Cold junction compensation with separate plug
- ✓ Configuration via software (FDT/DTM) or IFS-OP-UNIT operator interface and display unit
- ✓ Up to SIL 2 according to EN 61508
- ✓ Installation in zone 2, protection type "n" (EN 60079-15) permitted
- ✓ Programming during operation and also voltage-free using IFS-USB-PROG-ADAPTER programming adapter
- ✓ Plug-in screw or spring-cage connection technology (Push-in technology)
- ✓ Freely programmable input and output
- ✓ Input for resistance thermometers, thermocouples, resistance-type sensors, potentiometers, and mV sources
- ✓ Measure differential temperatures
- ✓ Three limit value relays, can be used in combination as a safe limit value relay
- ✓ Inverse output signal ranges as an option



Key Commercial Data

Packing unit	1 pc
GTIN	 4 046356 288903
GTIN	4046356288903

Technical data

Note

Utilization restriction	EMC: class A product, see manufacturer's declaration in the download area
-------------------------	---

Dimensions

Width	35.2 mm
-------	---------

Temperature measuring transducer - MACX MCR-T-UIREL-UP - 2811378

Technical data

Dimensions

Height	112.8 mm
Depth	113.5 mm

Ambient conditions

Ambient temperature (operation)	-20 °C ... 65 °C
Ambient temperature (storage/transport)	-40 °C ... 85 °C
Maximum altitude	≤ 2000 m
Permissible humidity (operation)	typ. 5 % ... 95 % (non-condensing)
Noise immunity	EN 61000-6-2 When being exposed to interference, there may be minimal deviations.

Input data

Sensor types (RTD) that can be used	Pt, Ni, Cu sensors: 2, 3, 4-wire
Sensor types that can be used (TC)	B, E, J, K, N, R, S, T, L, U, CA, DA, A1G, A2G, A3G, MG, LG
Temperature measuring range	-250 °C ... 2500 °C (Range depending on the sensor type)
Input signal range	0 Ω ... 50 kΩ
Potentiometer resistance range	0 Ω ... 50 kΩ
Input signal range	-1000 mV ... 1000 mV

Output data

Configurable/programmable	Yes
Max. voltage output signal	± 11 V
Current output signal	4 mA ... 20 mA (in the case of SIL; further free configuration without SIL)
Max. current output signal	22 mA
Load/output load voltage output	≥ 10 kΩ
Load/output load current output	≤ 600 Ω (at 20 mA)
Behavior in the event of a sensor error	according to NE 43 or freely configurable
Output name	Relay output
Configurable/programmable	Yes
Contact type	3 PDTs
Contact material	AgSnO ₂ , hard gold-plated
Maximum switching voltage	250 V AC (250 V DC)
Maximum inrush current	2 A (250 V AC)
	2 A (28 V DC)

Power supply

Supply voltage range	24 V ... 230 V AC/DC (-20 %/+10 %, 50/60 Hz)
Power consumption	< 2.4 W

Connection data

Connection method	Screw connection
Stripping length	7 mm

Temperature measuring transducer - MACX MCR-T-UIREL-UP - 2811378

Technical data

Connection data

Screw thread	M3
Conductor cross section solid	0.2 mm ² ... 2.5 mm ²
Conductor cross section flexible	0.2 mm ² ... 2.5 mm ²
Conductor cross section AWG	24 ... 14

General

Maximum transmission error	0.1 % (e.g. for Pt 100, 300 K span, 4 ... 20 mA)
Maximum temperature coefficient	0.01 %/K
Degree of pollution	2
Overvoltage category	II
Electromagnetic compatibility	Conformance with EMC directive
Interference emission	EN 61000-6-4
Housing material	PA 6.6-FR
Color	gray
Designation	Input/output/power supply
	Input/output
Electrical isolation	375 V (Peak value in accordance with IEC/EN 60079-11)
Designation	Input/power supply
Electrical isolation	375 V (Peak value in accordance with IEC/EN 60079-11)
Designation	Input/switching output
Electrical isolation	375 V (Peak value in accordance with IEC/EN 60079-11)

Standards and Regulations

Electromagnetic compatibility	Conformance with EMC directive
Noise emission	EN 61000-6-4
Electrical isolation	4-way, between input/output/power supply/switching output
Conformance	CE-compliant
ATEX	# II 3 G Ex nA nC ic IIC T4 Gc X
IECEX	Ex nA nC ic IIC T4 Gc X
UL, USA/Canada	UL 508 Listed
	Class I, Div. 2, Groups A, B, C, D T6
	Class I, Zone 2, Group IIC T6
DNV GL-Temperature	B
DNV GL-Humidity	B
DNV GL-Vibration	A
DNV GL-EMC	A
DNV GL-Enclosure	Required protection according to the Rules shall be provided upon installation on board

Conformance/approvals

Designation	CE
-------------	----

Temperature measuring transducer - MACX MCR-T-UIREL-UP - 2811378

Technical data

Conformance/approvals

Identification	CE-compliant
Designation	ATEX
Identification	# II 3 G Ex nA nC ic IIC T4 Gc X
Certificate	IBExU 10 ATEX B001 X
Designation	IECEX
Identification	Ex nA nC ic IIC T4 Gc X
Certificate	IECEX IBE 10.0011 X
Designation	UL, USA/Canada
Identification	UL 508 Listed
	Class I, Div. 2, Groups A, B, C, D T6
	Class I, Zone 2, Group IIC T6
Designation	Shipbuilding approval
Certificate	DNV GL TAA000020C
Designation	Safety Integrity Level (SIL, IEC 61508)
Identification	2
Designation	Performance Level (ISO 13849)
Identification	d
Temperature	B
Humidity	B
Vibration	A
EMC	A
Enclosure	Required protection according to the Rules shall be provided upon installation on board

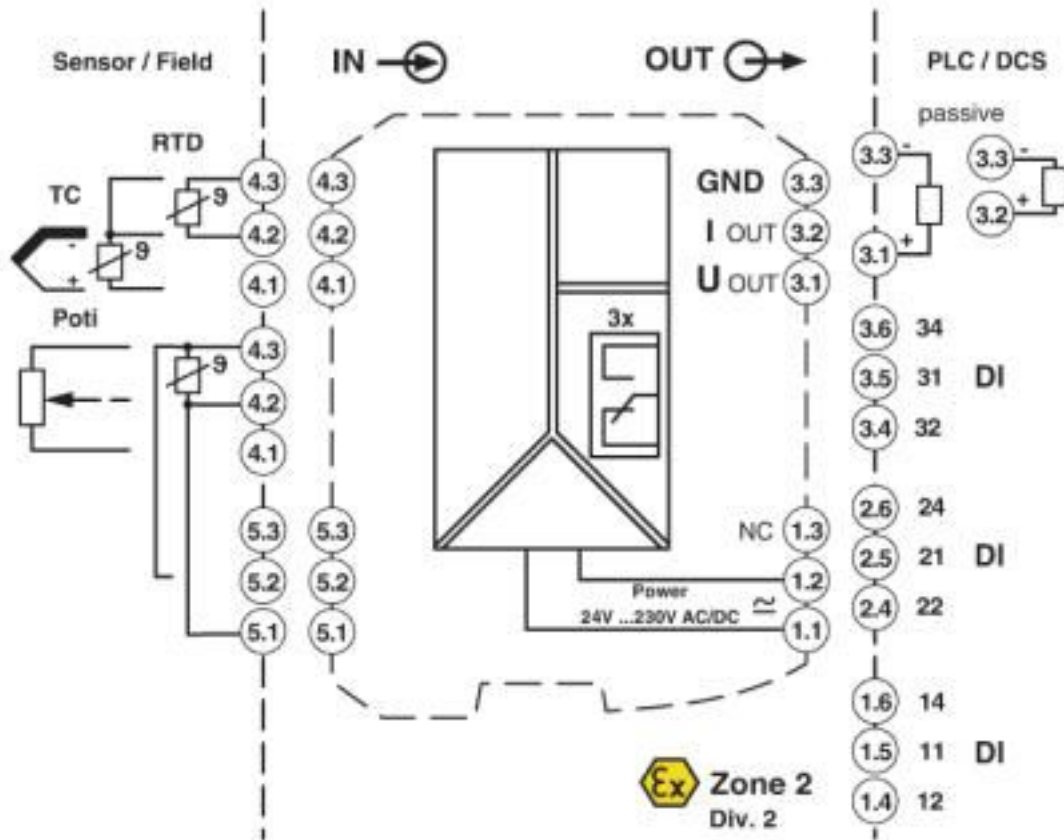
Environmental Product Compliance

REACH SVHC	Lead 7439-92-1
China RoHS	Environmentally Friendly Use Period = 50 years
	For details about hazardous substances go to tab "Downloads", Category "Manufacturer's declaration"

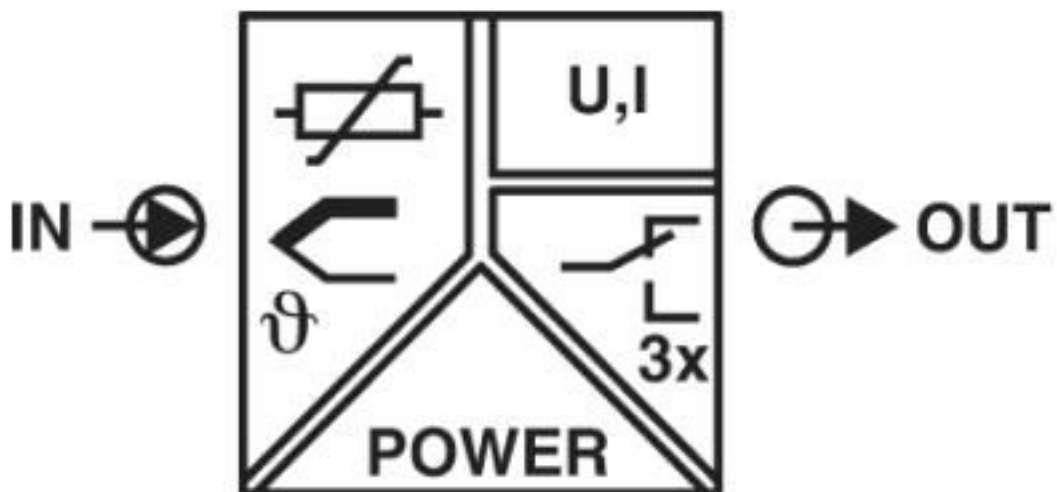
Drawings

Temperature measuring transducer - MACX MCR-T-UIREL-UP - 2811378

Block diagram



Pictogram



Temperature measuring transducer - MACX MCR-T-UIREL-UP - 2811378

Classifications

eCl@ss

eCl@ss 10.0.1	27210129
eCl@ss 4.0	27200200
eCl@ss 4.1	27200200
eCl@ss 5.0	27200200
eCl@ss 5.1	27200200
eCl@ss 6.0	27200200
eCl@ss 7.0	27200206
eCl@ss 8.0	27200206
eCl@ss 9.0	27210129

ETIM

ETIM 2.0	EC001446
ETIM 3.0	EC001446
ETIM 4.0	EC001446
ETIM 5.0	EC001446
ETIM 6.0	EC002919
ETIM 7.0	EC002919

UNSPSC

UNSPSC 6.01	30211506
UNSPSC 7.0901	39121008
UNSPSC 11	39121008
UNSPSC 12.01	39121008
UNSPSC 13.2	41112105
UNSPSC 18.0	41112105
UNSPSC 19.0	41112105
UNSPSC 20.0	41112105
UNSPSC 21.0	41112105

Approvals

Approvals

Approvals

UL Listed / cUL Listed / DNV GL / cULus Listed

Ex Approvals

IECEX / ATEX / UL Listed / cUL Listed / cULus Listed

Temperature measuring transducer - MACX MCR-T-UIREL-UP - 2811378

Approvals

Approval details

UL Listed		http://database.ul.com/cgi-bin/XYV/template/LISEXT/1FRAME/index.htm	FILE E 238705
-----------	--	---	---------------

cUL Listed		http://database.ul.com/cgi-bin/XYV/template/LISEXT/1FRAME/index.htm	FILE E 238705
------------	--	---	---------------

DNV GL		https://approvalfinder.dnvgl.com/	TAA000020C
--------	--	---	------------

cULus Listed			
--------------	--	--	--

Accessories

Accessories

Cradle unit

Adapter module - IFS-OP-CRADLE - 2811886



The adapter (IFS-OP-CRADLE) for the operator interface is ideal for use as a remote operator panel and display device for 17.5 mm / 35 mm modules. Can be mounted directly on the DIN rail. Replacement part: 2905872 IFS-BT-PROG-ADAPTER.

Device marking

Plastic label - UC-EMLP (11X9) - 0819291



Plastic label, Sheet, white, unlabeled, can be labeled with: BLUEMARK ID COLOR, BLUEMARK ID, BLUEMARK CLED, PLOTMARK, CMS-P1-PLOTTER, mounting type: adhesive, lettering field size: 11 x 9 mm, Number of individual labels: 10

Temperature measuring transducer - MACX MCR-T-UIREL-UP - 2811378

Accessories

Plastic label - UC-EMLP (11X9) YE - 0822602



Plastic label, Sheet, yellow, unlabeled, can be labeled with: BLUEMARK ID COLOR, BLUEMARK ID, BLUEMARK CLED, PLOTMARK, CMS-P1-PLOTTER, mounting type: adhesive, lettering field size: 11 x 9 mm, Number of individual labels: 10

Plastic label - UC-EMLP (11X9) SR - 0828094



Plastic label, Sheet, silver, unlabeled, can be labeled with: BLUEMARK ID COLOR, BLUEMARK ID, BLUEMARK CLED, PLOTMARK, CMS-P1-PLOTTER, mounting type: adhesive, lettering field size: 11 x 9 mm, Number of individual labels: 10

Plastic label - US-EMLP (11X9) - 0828789



Plastic label, Card, white, unlabeled, can be labeled with: BLUEMARK ID COLOR, BLUEMARK ID, THERMOMARK PRIME, THERMOMARK CARD 2.0, THERMOMARK CARD, mounting type: adhesive, lettering field size: 11 x 9 mm, Number of individual labels: 135

Plastic label - US-EMLP (11X9) YE - 0828871



Plastic label, Card, yellow, unlabeled, can be labeled with: BLUEMARK ID COLOR, BLUEMARK ID, THERMOMARK PRIME, THERMOMARK CARD 2.0, THERMOMARK CARD, mounting type: adhesive, lettering field size: 11 x 9 mm, Number of individual labels: 135

Plastic label - US-EMLP (11X9) SR - 0828872



Plastic label, Card, silver, unlabeled, can be labeled with: BLUEMARK ID COLOR, BLUEMARK ID, THERMOMARK PRIME, THERMOMARK CARD 2.0, THERMOMARK CARD, mounting type: adhesive, lettering field size: 11 x 9 mm, Number of individual labels: 135

Temperature measuring transducer - MACX MCR-T-UIREL-UP - 2811378

Accessories

Device marker - LS-EMLP (11X9) WH - 0831678

Device marker, Sheet, white, unlabeled, can be labeled with: TOPMARK NEO, TOPMARK LASER, mounting type: adhesive, lettering field size: 11 x 9 mm, Number of individual labels: 255



Device marker - LS-EMLP (11X9) YE - 0831732

Device marker, Sheet, yellow, unlabeled, can be labeled with: TOPMARK NEO, TOPMARK LASER, mounting type: adhesive, lettering field size: 11 x 9 mm, Number of individual labels: 255



Device marker - LS-EMLP (11X9) SR - 0831705

Device marker, Sheet, silver, unlabeled, can be labeled with: TOPMARK NEO, TOPMARK LASER, mounting type: adhesive, lettering field size: 11 x 9 mm, Number of individual labels: 255



Insulating sleeve

Insulating sleeve - MPS-IH BK - 0201731

Insulating sleeve, color: black



Insulating sleeve - MPS-IH GY - 0201728

Insulating sleeve, color: gray



Temperature measuring transducer - MACX MCR-T-UIREL-UP - 2811378

Accessories

Insulating sleeve - MPS-IH GN - 0201702

Insulating sleeve, color: green



Insulating sleeve - MPS-IH YE - 0201692

Insulating sleeve, color: yellow



Insulating sleeve - MPS-IH BU - 0201689

Insulating sleeve, color: blue



Insulating sleeve - MPS-IH RD - 0201676

Insulating sleeve, color: red



Insulating sleeve - MPS-IH WH - 0201663

Insulating sleeve, color: white



Labeled device marker

Temperature measuring transducer - MACX MCR-T-UIREL-UP - 2811378

Accessories

Plastic label - UC-EMLP (11X9) CUS - 0824547



Plastic label, can be ordered: by sheet, white, labeled according to customer specifications, mounting type: adhesive, lettering field size: 11 x 9 mm

Plastic label - UC-EMLP (11X9) YE CUS - 0824548



Plastic label, can be ordered: by sheet, yellow, labeled according to customer specifications, mounting type: adhesive, lettering field size: 11 x 9 mm

Plastic label - UC-EMLP (11X9) SR CUS - 0828098



Plastic label, can be ordered: by sheet, silver, labeled according to customer specifications, mounting type: adhesive, lettering field size: 11 x 9 mm, Number of individual labels: 10

Operator interface

Operator interface - IFS-OP-UNIT - 2811899



The operator interface facilitates straightforward parameterization and operation of the MACX MCR(-EX)-...-UI(REL) (-UP) on-site, even without software. Can be snapped onto the 35 mm module. Replacement part: 2905872 IFS-BT-PROG-ADAPTER.

Plug

Plug - MACX MCR-I20 - 2905680



Connection terminal block for current signals, +20 mA ... -20 mA, for safe switching of limit values, in combination with MACX ...-T-UI... temperature transducers.

Temperature measuring transducer - MACX MCR-T-UIREL-UP - 2811378

Accessories

Plug - MACX MCR-CJC - 2924993



Plug for cold junction compensation for thermocouples, for safe switching of limit values, in combination with MACX ...-T-UI... temperature transducers.

Programming adapter

Programming adapter - IFS-USB-PROG-ADAPTER - 2811271



Programming adapter with USB interface, for programming with software. The USB driver is included in the software solutions for the products to be programmed, such as measuring transducers or motor managers.

Test plug terminal block

Test plugs - MPS-MT - 0201744



Test plugs, with solder connection up to 1 mm² conductor cross section, color: gray

Mouser Electronics

Authorized Distributor

Click to View Pricing, Inventory, Delivery & Lifecycle Information:

[Phoenix Contact:](#)

[2811378](#)