

Type 2 surge protection plug - VAL-MS 230 ST - 2798844


Please be informed that the data shown in this PDF Document is generated from our Online Catalog. Please find the complete data in the user's documentation. Our General Terms of Use for Downloads are valid (<http://phoenixcontact.com/download>)



Surge protection connector type 2 with high-capacity varistor for VAL-MS base element, thermal monitoring, visual fault warning. Design: 230 V AC



Key Commercial Data

| | |
|--------------|---|
| Packing unit | 10 pc |
| GTIN |  4 017918 073947 |
| GTIN | 4017918073947 |

Technical data

Dimensions

| | |
|------------------|---------|
| Height | 52.4 mm |
| Width | 17.5 mm |
| Depth | 55.3 mm |
| Horizontal pitch | 1 Div. |

Ambient conditions

| | |
|---|---|
| Degree of protection | IP20 |
| Ambient temperature (operation) | -40 °C ... 80 °C |
| Ambient temperature (storage/transport) | -40 °C ... 80 °C |
| Altitude | ≤ 2000 m (amsl (above mean sea level)) |
| Permissible humidity (operation) | 5 % ... 95 % |
| Shock (operation) | 25g (Half-sine / 11 ms / 3x ±X, ±Y, ±Z) |
| Vibration (operation) | 5g (10 ... 500 Hz / 2.5 h / X, Y, Z) |

General

| | |
|-------------------------|----|
| IEC test classification | II |
| | T2 |
| EN type | T2 |
| IEC power supply system | TN |

Type 2 surge protection plug - VAL-MS 230 ST - 2798844

Technical data

General

| | |
|--|---|
| | TT |
| Mode of protection | L-N |
| | L-PEN |
| Mounting type | on base element |
| Color | jet black RAL 9005 |
| Housing material | PA 6.6 |
| Degree of pollution | 2 |
| Flammability rating according to UL 94 | V-0 |
| Type | DIN rail module, two-section, divisible |
| Number of positions | 1 |
| Arrester can be tested with CHECKMASTER from software version: | From SW rev. 1.10 |
| Surge protection fault message | optical |

Protective circuit

| | |
|--|--|
| Nominal voltage U_N | 240/415 V AC (TN) |
| | 240/415 V AC (TT) |
| Nominal frequency f_N | 50 Hz (60 Hz) |
| Maximum continuous voltage U_C | 275 V AC |
| Residual current I_{PE} | ≤ 0.45 mA |
| Standby power consumption P_C | ≤ 120 mVA |
| Nominal discharge current I_n (8/20) μ s | 20 kA |
| Maximum discharge current I_{max} (8/20) μ s | 40 kA |
| Short-circuit current rating I_{SCCR} | 25 kA |
| Voltage protection level U_p | ≤ 1.35 kV |
| Residual voltage U_{res} | ≤ 1.35 kV (at I_n) |
| | ≤ 1.1 kV (at 10 kA) |
| | ≤ 1 kV (at 5 kA) |
| | ≤ 0.9 kV (at 3 kA) |
| TOV behavior at U_T | 335 V AC (5 s / withstand mode) |
| | 440 V AC (120 min / safe failure mode) |
| Response time t_A | ≤ 25 ns |
| Max. backup fuse with branch wiring | 125 A (gG) |

Connection data

| | |
|-------------------|-----------|
| Connection method | pluggable |
|-------------------|-----------|

UL specifications

| | |
|---|--------------|
| SPD Type | 4CA |
| Maximum continuous operating voltage MCOV (L-N) | 275 V AC |
| Nom. voltage | 230 V AC |
| Mode of protection | L-N |
| Power distribution system | Single phase |

Type 2 surge protection plug - VAL-MS 230 ST - 2798844

Technical data

UL specifications

| | |
|---------------------------------------|----------|
| Nominal frequency | 50/60 Hz |
| Measured limiting voltage MLV (L-N) | 1910 V |
| Nominal discharge current I_n (L-N) | 20 kA |

Standards and Regulations

| | |
|-----------------------|-------------------|
| Standards/regulations | IEC 61643-11 2011 |
| | EN 61643-11 2012 |

Environmental Product Compliance

| | |
|------------|---|
| China RoHS | Environmentally Friendly Use Period = 50 years |
| | For details about hazardous substances go to tab "Downloads", Category "Manufacturer's declaration" |

Drawings

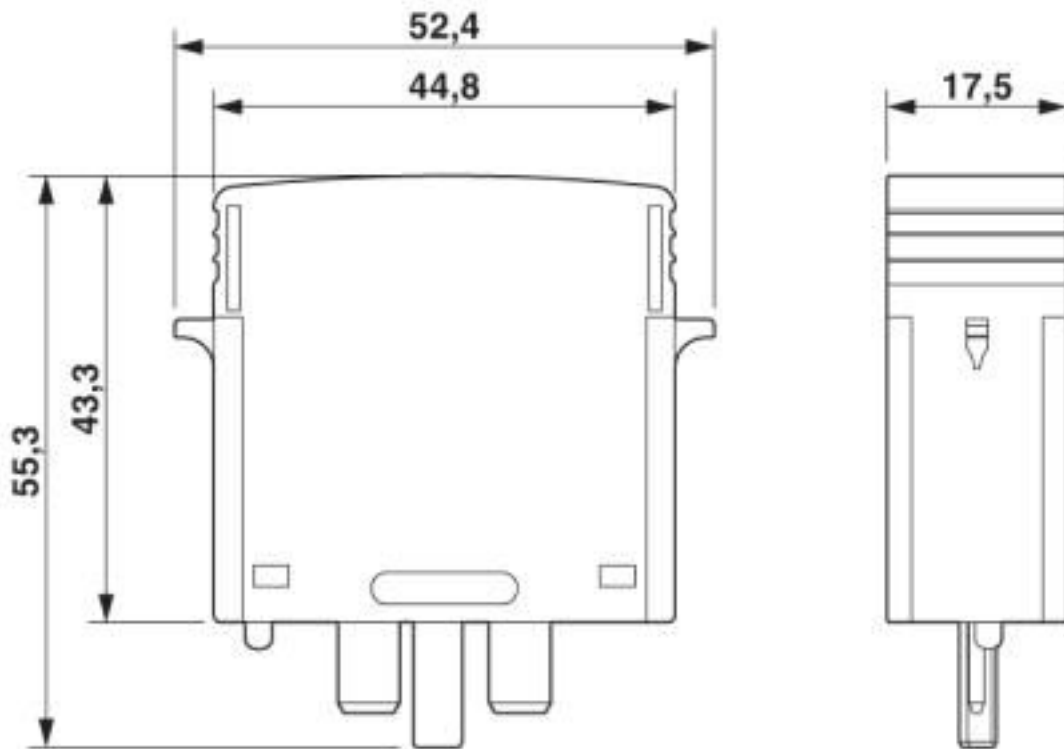
Type 2 surge protection plug - VAL-MS 230 ST - 2798844

Circuit diagram



Type 2 surge protection plug - VAL-MS 230 ST - 2798844

Dimensional drawing



Classifications

eCl@ss

| | |
|---------------|----------|
| eCl@ss 10.0.1 | 27130890 |
| eCl@ss 4.0 | 27130800 |
| eCl@ss 4.1 | 27130800 |
| eCl@ss 5.0 | 27130800 |
| eCl@ss 5.1 | 27130800 |
| eCl@ss 6.0 | 27130800 |
| eCl@ss 7.0 | 27130805 |
| eCl@ss 8.0 | 27130890 |
| eCl@ss 9.0 | 27130890 |

ETIM

| | |
|----------|----------|
| ETIM 2.0 | EC000941 |
| ETIM 3.0 | EC000941 |
| ETIM 4.0 | EC000941 |
| ETIM 5.0 | EC002496 |
| ETIM 6.0 | EC000941 |
| ETIM 7.0 | EC000941 |

Type 2 surge protection plug - VAL-MS 230 ST - 2798844

Classifications

UNSPSC

| | |
|---------------|----------|
| UNSPSC 6.01 | 30212010 |
| UNSPSC 7.0901 | 39121610 |
| UNSPSC 11 | 39121610 |
| UNSPSC 12.01 | 39121610 |
| UNSPSC 13.2 | 39121620 |
| UNSPSC 18.0 | 39121620 |
| UNSPSC 19.0 | 39121620 |
| UNSPSC 20.0 | 39121620 |
| UNSPSC 21.0 | 39121620 |

Approvals

Approvals

Approvals

CSA / GL / CCA / UL Recognized / KEMA-KEUR / cUL Recognized / IECCEB Scheme / ÖVE / EAC / EAC / cULus Recognized


Ex Approvals

Approval details

| | | | |
|-----|---|---|-------|
| CSA |  | http://www.csagroup.org/services-industries/product-listing/ | 13631 |
|-----|---|---|-------|

| | | | |
|----|---|---|-------------|
| GL |  | https://approvalfinder.dnvgl.com/ | 94385-10 HH |
|----|---|---|-------------|

| | | | |
|-----|--|--|---------------|
| CCA | | | NTR-AT 1947-A |
|-----|--|--|---------------|

| | | | |
|---------------|---|---|---------------|
| UL Recognized |  | http://database.ul.com/cgi-bin/XYV/template/LISEXT/1FRAME/index.htm | FILE E 330181 |
|---------------|---|---|---------------|

| | | | |
|-----------|---|---|-----------|
| KEMA-KEUR |  | http://www.dekra-certification.com | 71-113273 |
|-----------|---|---|-----------|

Type 2 surge protection plug - VAL-MS 230 ST - 2798844

Approvals

| | | | |
|------------------|--|---|---------------------|
| cUL Recognized | | http://database.ul.com/cgi-bin/XYV/template/LISEXT/1FRAME/index.htm | FILE E 330181 |
| IECEE CB Scheme | | http://www.iecee.org/ | AT 2905/M1 |
| ÖVE | | https://www.ove.at/zertifizierung-pz/zertifizierungsregister/ | 18583-001-14 |
| EAC | | | EAC-Zulassung |
| EAC | | | RU C-DE.*09.B.00169 |
| cULus Recognized | | | |

Accessories

Accessories

Device marking

Zack marker strip - ZBN 18:UNBEDRUCKT - 2809128



Zack marker strip, Strip, white, unlabeled, can be labeled with: CMS-P1-PLOTTER, PLOTMARK, mounting type: snap into tall marker groove, for terminal block width: 18 mm, lettering field size: 18 x 5 mm, Number of individual labels: 5

Labeled device marker

Type 2 surge protection plug - VAL-MS 230 ST - 2798844

Accessories

Marker for terminal blocks - ZBN 18,LGS:ERDE - 2749589



Marker for terminal blocks, Strip, white, labeled, horizontal: Grounding symbol, mounting type: snap into tall marker groove, for terminal block width: 18 mm, lettering field size: 18 x 5 mm, Number of individual labels: 5

Marker for terminal blocks - ZBN 18,LGS:L1-N,ERDE - 2749576



Marker for terminal blocks, Strip, white, labeled, horizontal: L1, L2, L3, N, GND, mounting type: snap into tall marker groove, for terminal block width: 18 mm, lettering field size: 18 x 5 mm, Number of individual labels: 5

Marker pen

Marker pen - B-STIFT - 1051993



Marker pen, for manual labeling of unprinted Zack strips, smear-proof and waterproof, line thickness 0.5 mm

Additional products

Type 2 surge protection base element - VAL-MS BE - 2817741



Base element for type 2 arresters of the VALVETRAB MS series of products. Design: 1-channel

Type 2 surge protection base element - VAL-MS BE/FM - 2817738



Base element for type 2 arresters of the VALVETRAB MS series of products, with remote indication contact. Design: 1-channel

Phoenix Contact 2020 © - all rights reserved
<http://www.phoenixcontact.com>

PHOENIX CONTACT GmbH & Co. KG
Flachsmarktstr. 8
32825 Blomberg
Germany
Tel. +49 5235 300
Fax +49 5235 3 41200
<http://www.phoenixcontact.com>

Mouser Electronics

Authorized Distributor

Click to View Pricing, Inventory, Delivery & Lifecycle Information:

[Phoenix Contact:](#)

[2798844](#)