

Antenna - RAD-ISM-2400-ANT-OMNI-2-1-RSMA - 2701362

Please be informed that the data shown in this PDF Document is generated from our Online Catalog. Please find the complete data in the user's documentation. Our General Terms of Use for Downloads are valid (<http://phoenixcontact.com/download>)




Omnidirectional antenna, 2.4 GHz, gain: 2 dBi, polarization: linear, opening angle: h/v 360°/75°, degree of protection: IP65, connection: RSMA (male), incl. 1.5 m / 5 ft. connecting cable and mounting bracket for wall mounting

Your advantages

- ✓ For freely mobile applications
- ✓ For multipoint or mesh connections
- ✓ Easy panel mounting

Key Commercial Data

Packing unit	1 pc
GTIN	 4 046356 743471
GTIN	4046356743471

Technical data

Dimensions

Width	7.8 mm
Height	82.5 mm
Fixed cable length	1.50 m
External cable diameter	2.50 mm

Ambient conditions

Degree of protection	IP65
Ambient temperature (operation)	-20 °C ... 65 °C
Ambient temperature (storage/transport)	-30 °C ... 75 °C

General

With connecting cable	yes
Frequency range	2.4 GHz
	2.4 GHz

Antenna - RAD-ISM-2400-ANT-OMNI-2-1-RSMA - 2701362

Technical data

General

Horizontal beamwidth	360 °
Vertical beamwidth	75 °
Polarization	Linear vertical
Impedance	50 Ω
Gain	2 dBi
Connection method	RSMA (male)
Fixed cable length	1.50 m
Smallest bending radius, fixed installation	25.4 mm
Cable, attenuation	2 dB
Material	Polyurethane (Antenna housing)
	Polycarbonate PC (Antenna foot)
	V2A (Bracket)
Mounting type	Wall mounting
External cable diameter	2.50 mm
Outer sheath, material	Fluorinated ethylene propylene (FEP)

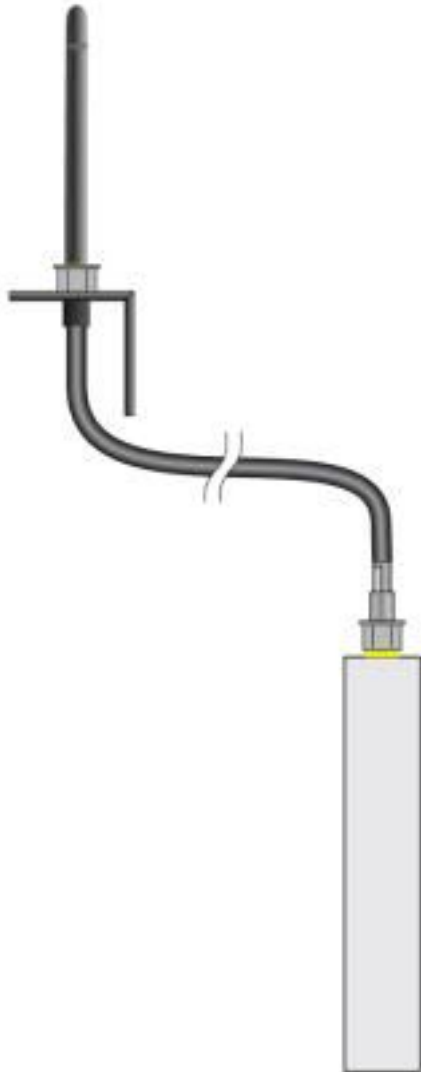
Environmental Product Compliance

REACH SVHC	Lead 7439-92-1
China RoHS	Environmentally Friendly Use Period = 25;
	For details about hazardous substances go to tab "Downloads", Category "Manufacturer's declaration"

Drawings

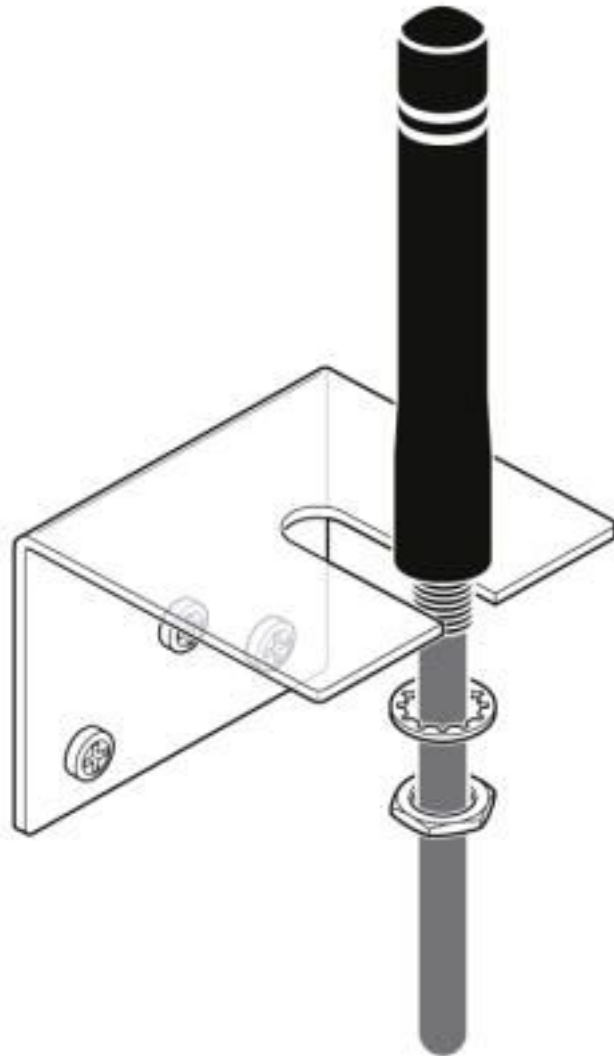
Antenna - RAD-ISM-2400-ANT-OMNI-2-1-RSMA - 2701362

Schematic diagram



Installation example

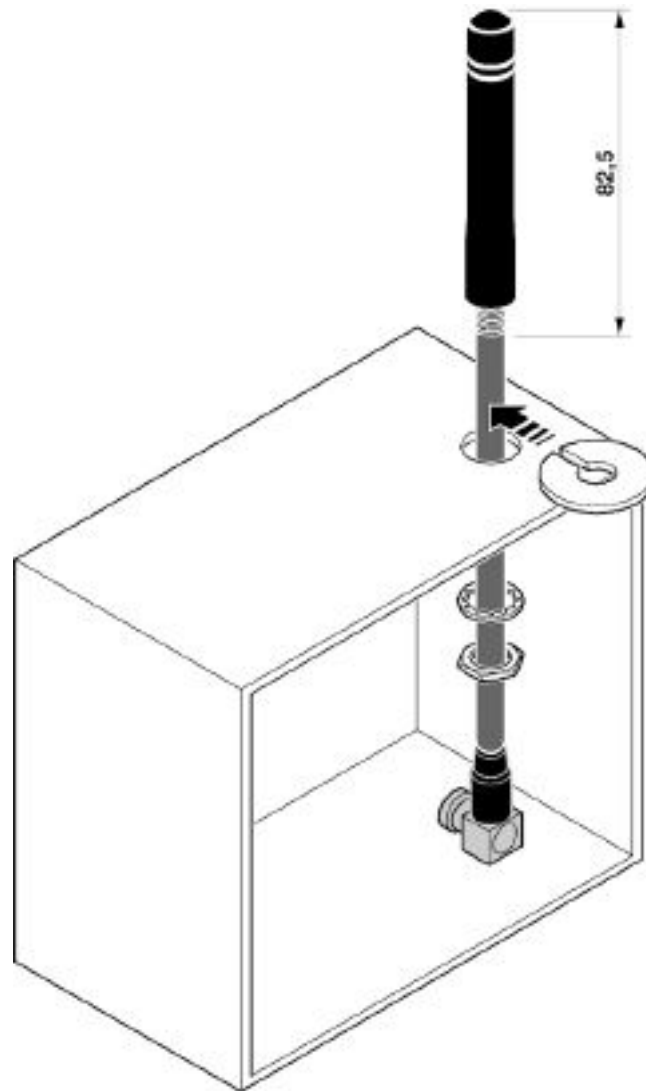
Schematic diagram



Wall mounting

Antenna - RAD-ISM-2400-ANT-OMNI-2-1-RSMA - 2701362

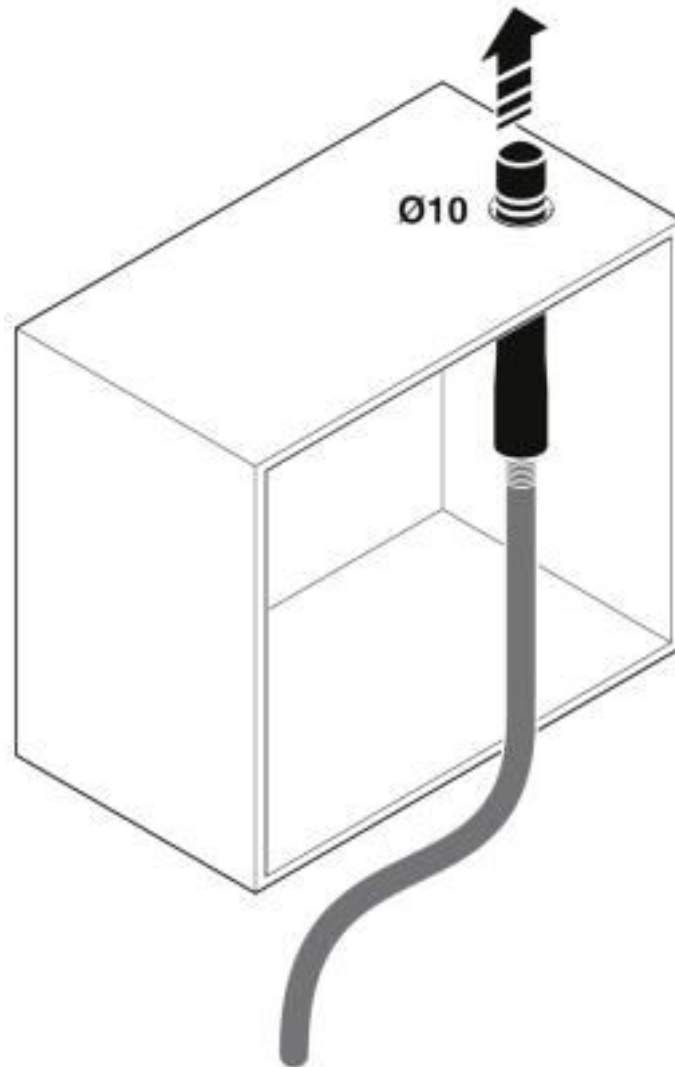
Schematic diagram



Mounting on the control cabinet

Antenna - RAD-ISM-2400-ANT-OMNI-2-1-RSMA - 2701362

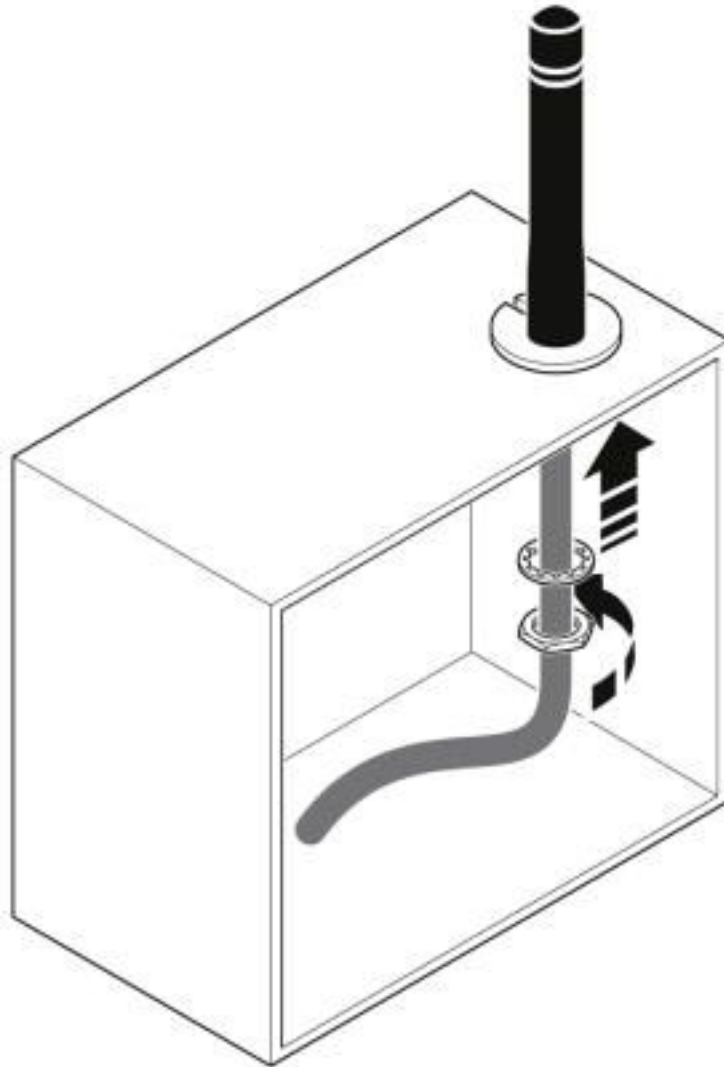
Schematic diagram



Control cabinet feed-through

Antenna - RAD-ISM-2400-ANT-OMNI-2-1-RSMA - 2701362

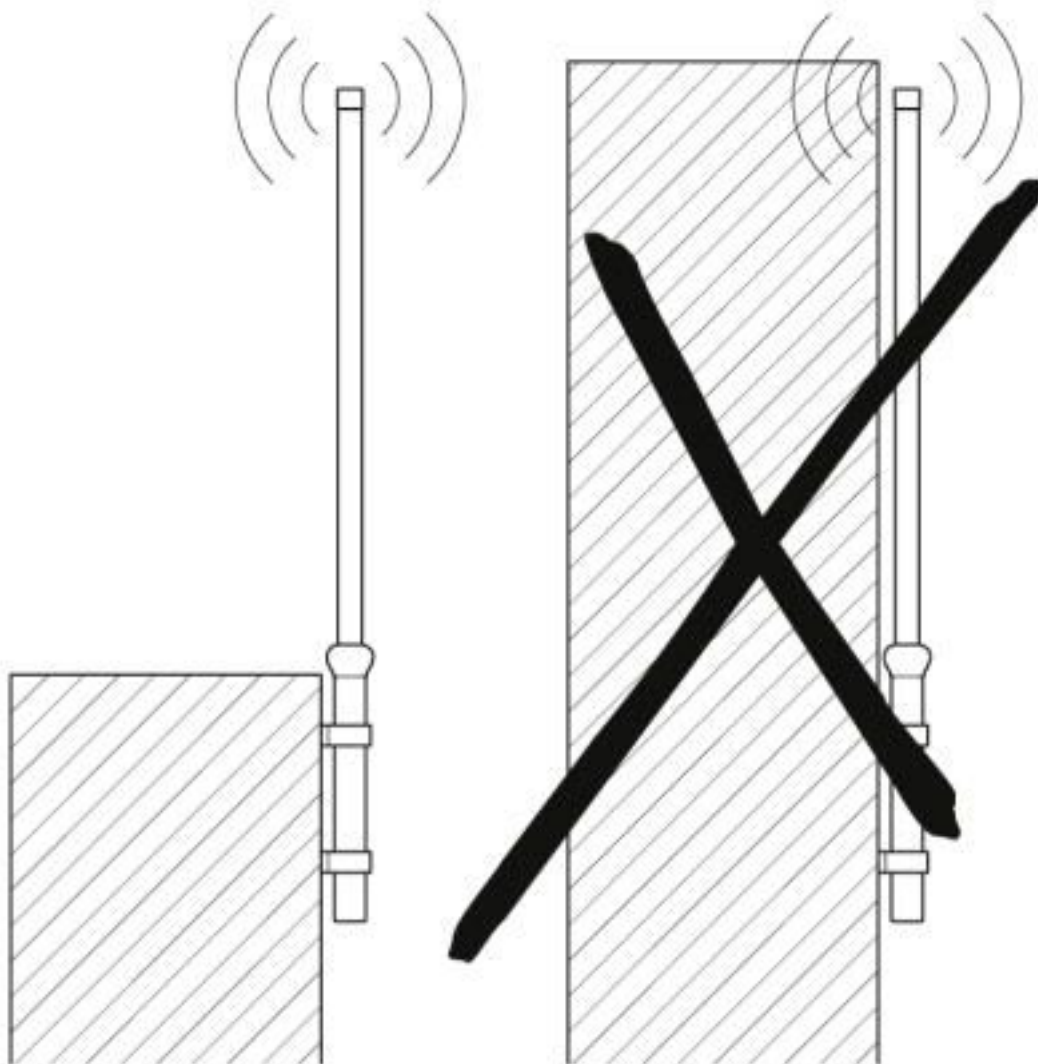
Schematic diagram



Mounting on the control cabinet

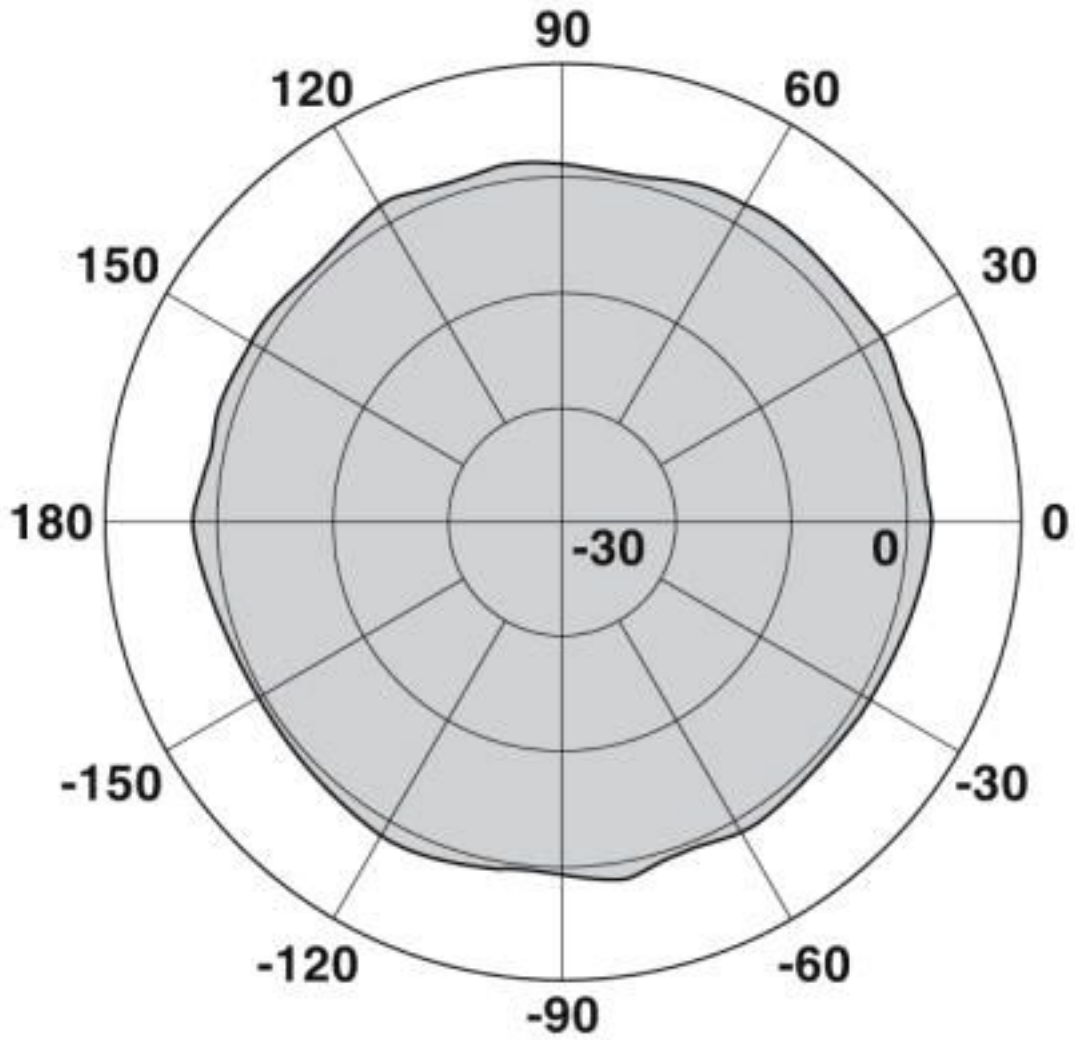
Antenna - RAD-ISM-2400-ANT-OMNI-2-1-RSMA - 2701362

Schematic diagram



Antenna - RAD-ISM-2400-ANT-OMNI-2-1-RSMA - 2701362

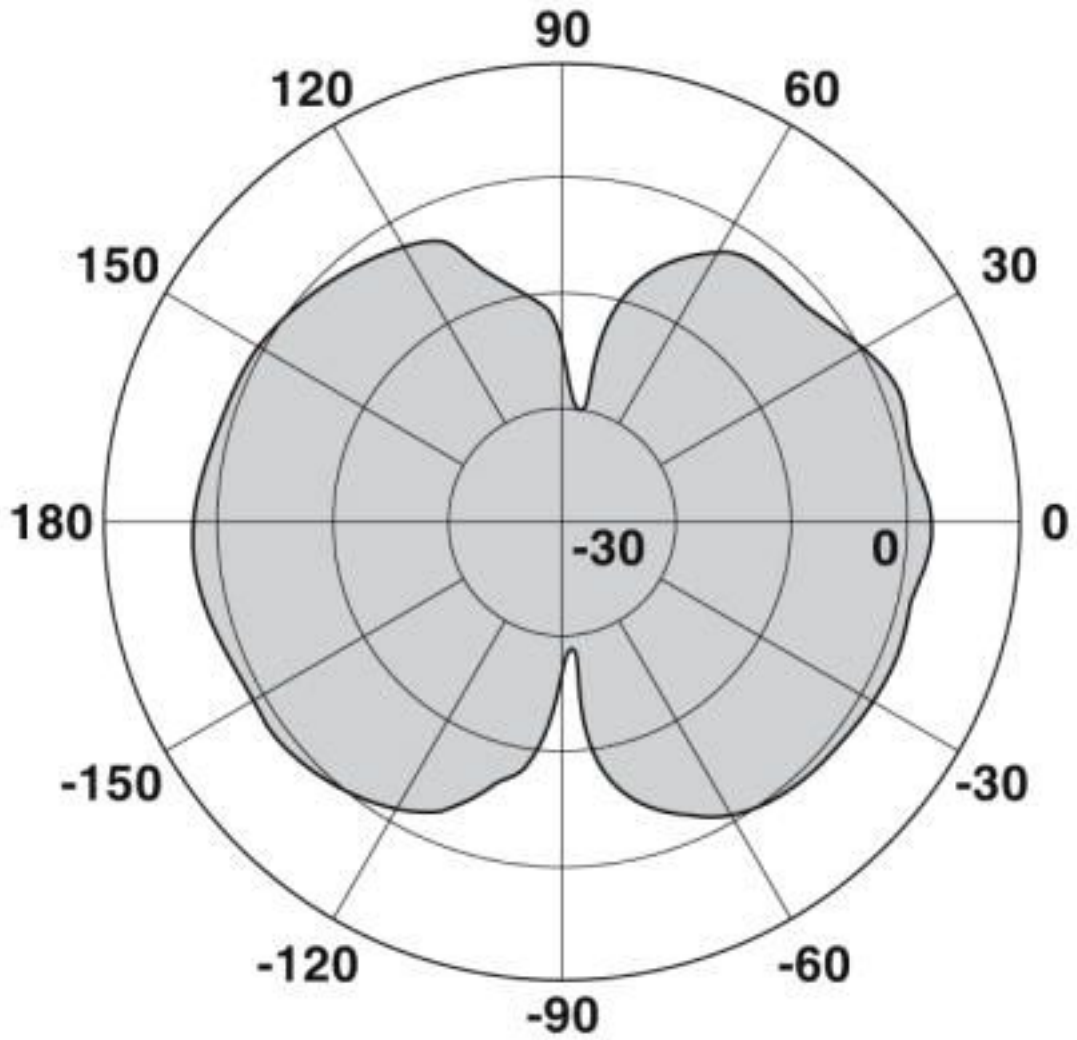
Diagram



Horizontal

Antenna - RAD-ISM-2400-ANT-OMNI-2-1-RSMA - 2701362

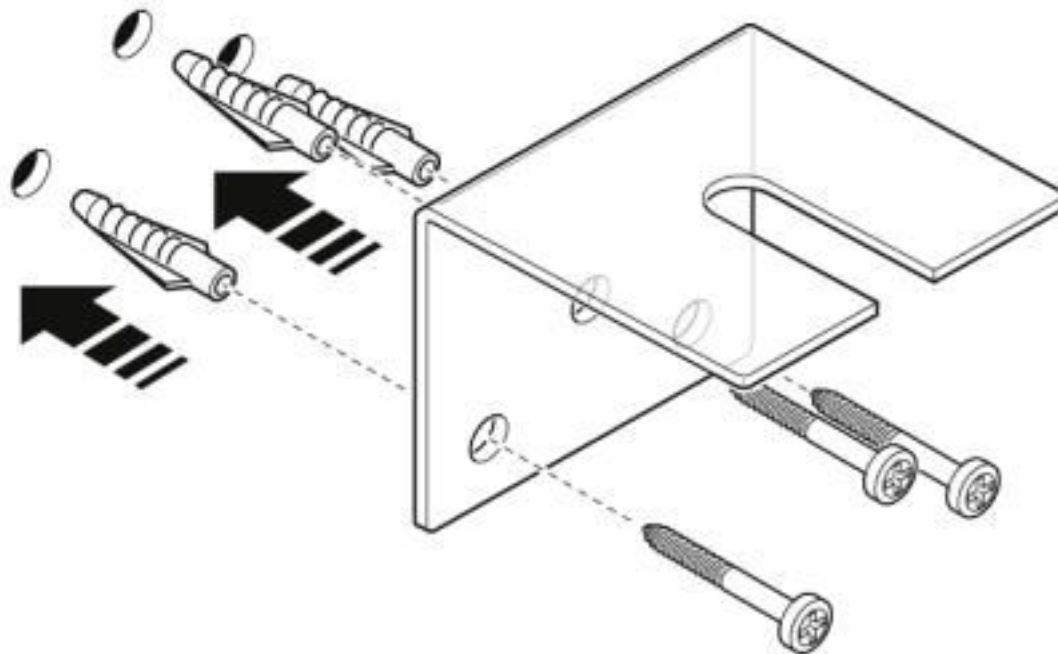
Diagram



Vertical

Antenna - RAD-ISM-2400-ANT-OMNI-2-1-RSMA - 2701362

Schematic diagram



Wall mounting

Classifications

eCl@ss

eCl@ss 10.0.1	19070105
eCl@ss 4.0	27250300
eCl@ss 4.1	27250300
eCl@ss 5.0	19070100
eCl@ss 5.1	19070100
eCl@ss 6.0	19070100
eCl@ss 7.0	19070105
eCl@ss 8.0	19070105
eCl@ss 9.0	19070105

ETIM

ETIM 2.0	EC000416
ETIM 3.0	EC001698
ETIM 4.0	EC001698
ETIM 5.0	EC001698
ETIM 6.0	EC001698
ETIM 7.0	EC001698

UNSPSC

UNSPSC 6.01	43171611
-------------	----------

Antenna - RAD-ISM-2400-ANT-OMNI-2-1-RSMA - 2701362

Classifications

UNSPSC

UNSPSC 7.0901	43221706
UNSPSC 11	43171611
UNSPSC 12.01	43221706
UNSPSC 13.2	43221715
UNSPSC 18.0	43221715
UNSPSC 19.0	43221715
UNSPSC 20.0	43221715
UNSPSC 21.0	43221715

Phoenix Contact 2020 © - all rights reserved
<http://www.phoenixcontact.com>

PHOENIX CONTACT GmbH & Co. KG
Flachsmarktstr. 8
32825 Blomberg
Germany
Tel. +49 5235 300
Fax +49 5235 3 41200
<http://www.phoenixcontact.com>

Mouser Electronics

Authorized Distributor

Click to View Pricing, Inventory, Delivery & Lifecycle Information:

[Phoenix Contact:](#)

[2701362](#)