

Energy storage - UPS-BAT/VRLA-WTR/24DC/13AH - 2320416

Please be informed that the data shown in this PDF Document is generated from our Online Catalog. Please find the complete data in the user's documentation. Our General Terms of Use for Downloads are valid (<http://phoenixcontact.com/download>)



Energy storage device, lead AGM, VRLA technology, 24 V DC, 13 Ah, tool-free battery replacement, automatic detection, and communication with QUINT UPS-IQ

Product Description

For continuous monitoring and intelligent management, there is constant communication with the QUINT UPS. Thanks to automatic detection of the energy storage, and tool-free switching during operation, quick installation is possible. The QUINT UPS with IQ technology energy storage leaves the warehouse fully charged.


Your advantages

- Maximum buffer times at extreme temperatures
- Pure lead AGM technology (Absorbent Glass Mat)



IQ Technology²

Key Commercial Data

Packing unit	1 pc
GTIN	 4 046356 707701
GTIN	4046356707701

Technical data

Dimensions

Width	172 mm
Height	177 mm
Depth	178 mm

Ambient conditions

Degree of protection	IP20
Ambient temperature (operation)	-25 °C ... 60 °C
Ambient temperature (storage/transport)	-40 °C ... 60 °C
Max. permissible relative humidity (operation)	≤ 95 %
Degree of pollution	2

Input data

Energy storage - UPS-BAT/VRLA-WTR/24DC/13AH - 2320416

Technical data

Input data

Nominal input voltage	24 V DC
Buffer period	50 min. (10 A)
	10 min. (40 A)

Output data

Nominal output voltage	24 V DC
Output current I_{max}	45 A
Connection in series	No
Output fuse	2x 25 A ATOF 32V

General

IQ technology	Yes
Disposal	Used batteries must not be thrown away with household waste, they should instead be disposed of in accordance with applicable national regulations. They can also be returned to Phoenix Contact or the manufacturer.
Net weight	10.8 kg
Memory medium	Pure lead AGM
Degree of protection	IP20
Protection class	III
Housing material	Steel sheet, zinc-plated
Mounting position	horizontally, on a mounting plate

Standards

Standard - Electrical safety	EN 60950-1/VDE 0805 (SELV)
Standard – Electronic equipment for use in electrical power installations and their assembly into electrical power installations	EN 50178/VDE 0160 (PELV)

Conformance/approvals

UL approvals	UL/C-UL listed UL 508
	UL/C-UL Recognized UL 60950-1
Shipbuilding approval	DNV GL (EMC A), ABS

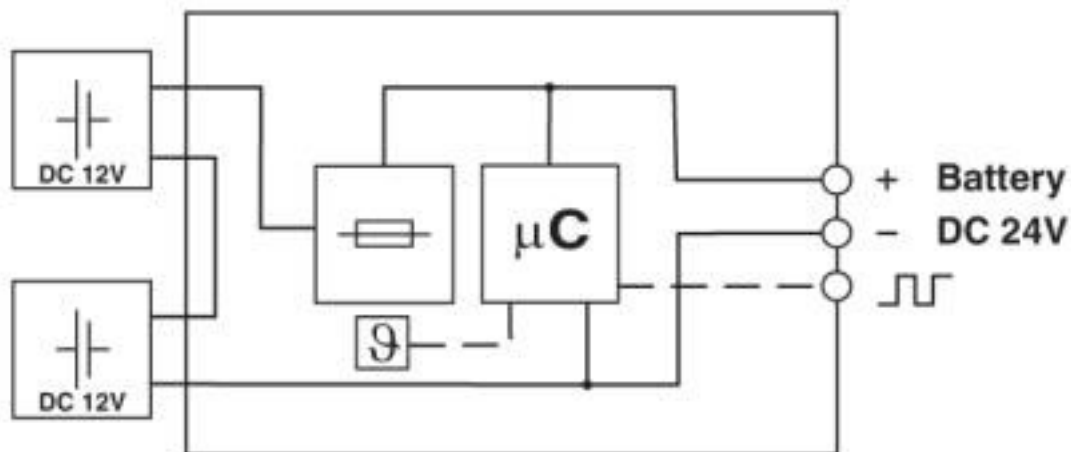
Environmental Product Compliance

REACH SVHC	Lead 7439-92-1
China RoHS	Environmentally Friendly Use Period = 15;
	For details about hazardous substances go to tab "Downloads", Category "Manufacturer's declaration"

Drawings

Energy storage - UPS-BAT/VRLA-WTR/24DC/13AH - 2320416

Block diagram



Classifications

eCl@ss

eCl@ss 10.0.1	27050403
eCl@ss 4.0	27040600
eCl@ss 4.1	27040600
eCl@ss 5.0	27040600
eCl@ss 5.1	27040600
eCl@ss 6.0	27040600
eCl@ss 7.0	27050403
eCl@ss 8.0	27050403
eCl@ss 9.0	27050403

ETIM

ETIM 2.0	EC000382
ETIM 3.0	EC000382
ETIM 4.0	EC000357
ETIM 5.0	EC000357
ETIM 6.0	EC000357
ETIM 7.0	EC000357

UNSPSC

UNSPSC 6.01	30211510
UNSPSC 7.0901	39121011
UNSPSC 11	39121011
UNSPSC 12.01	39121011
UNSPSC 13.2	26111715
UNSPSC 18.0	26111715
UNSPSC 19.0	26111715

Energy storage - UPS-BAT/VRLA-WTR/24DC/13AH - 2320416

Classifications

UNSPSC

UNSPSC 20.0	26111715
UNSPSC 21.0	26111715

Approvals

Approvals


Approvals


DNV GL / PRS / BV / LR / ABS / UL Listed / UL Recognized / cUL Recognized / IEC CB Scheme / cUL Listed / EAC / cULus Recognized / cULus Listed

Ex Approvals


UL Listed / cUL Listed / cULus Listed

Approval details


DNV GL		https://approvalfinder.dnvgl.com/	TAA0000265
Nominal voltage UN	500 V		
Nominal current IN	41 A		
mm ² /AWG/kcmil	6		

PRS		http://www.prs.pl/	TE/2103/880590/16
-----	-------------------------------------------------------------------------------------	-----------------------------------------------------	-------------------

BV		http://www.veristar.com/portal/veristarinfo/generalinfo/approved/approvedProducts/equipmentAndMaterials	41516/A0 BV
----	-------------------------------------------------------------------------------------	-------------------------------------------------------------------------------------------------------------------------------------------------------------------------------------------------------------------------------	-------------

LR		http://www.lr.org/en	17/20032
----	-------------------------------------------------------------------------------------	---------------------------------------------------------	----------

ABS	http://www.eagle.org/eagleExternalPortalWEB/		15-GD1438179-PDA
-----	---------------------------------------------------------------------------------------------------------	--	------------------

UL Listed		http://database.ul.com/cgi-bin/XYV/template/LISEXT/1FRAME/index.htm	FILE E 123528
-----------	-------------------------------------------------------------------------------------	-------------------------------------------------------------------------------------------------------------------------------------------------------	---------------

Energy storage - UPS-BAT/VRLA-WTR/24DC/13AH - 2320416

Approvals

UL Recognized		http://database.ul.com/cgi-bin/XYV/template/LISEXT/1FRAME/index.htm	FILE E 211944
---------------	--	-------------------------------------------------------------------------------------------------------------------------------------------------------	---------------

cUL Recognized		http://database.ul.com/cgi-bin/XYV/template/LISEXT/1FRAME/index.htm	FILE E 211944
----------------	--	-------------------------------------------------------------------------------------------------------------------------------------------------------	---------------

IECEE CB Scheme		http://www.iecee.org/	DK-29680-A1-M1-UL
-----------------	--	-----------------------------------------------------------	-------------------

cUL Listed		http://database.ul.com/cgi-bin/XYV/template/LISEXT/1FRAME/index.htm	FILE E 123528
------------	--	-------------------------------------------------------------------------------------------------------------------------------------------------------	---------------

EAC			EAC-Zulassung
-----	--	--	---------------

cULus Recognized			
------------------	--	--	--

cULus Listed			
--------------	--	--	--

Accessories

Accessories

Battery unit

Uninterruptible power supply replacement battery - UPS-BAT-KIT-WTR 2X12V/13AH - 2908368



Replacement battery for UPS-BAT/VRLA-WTR... energy storage

Fuse

Energy storage - UPS-BAT/VRLA-WTR/24DC/13AH - 2320416

Accessories

Fuse - SI FORM C 25 A DIN 72581 - 0913757



Flat-type plug-in fuse, type C, color code: white, nominal current: 25 A

Mounting material

Mounting set for securing the batteries - BATTERY MOUNTING CASE M - 1134645



Used for mounting batteries that cannot be mounted on DIN rails.

Mounting set for securing the batteries - BATTERY MOUNTING KIT - 2320788



Used for mounting batteries that cannot be mounted on DIN rails.

Phoenix Contact 2020 © - all rights reserved
<http://www.phoenixcontact.com>

PHOENIX CONTACT GmbH & Co. KG
Flachsmarktstr. 8
32825 Blomberg
Germany
Tel. +49 5235 300
Fax +49 5235 3 41200
<http://www.phoenixcontact.com>

Mouser Electronics

Authorized Distributor

Click to View Pricing, Inventory, Delivery & Lifecycle Information:

[Phoenix Contact:](#)

[2320416](#)