

Energy storage - UPS-BAT/VRLA/24DC/3.4AH - 2320306

Please be informed that the data shown in this PDF Document is generated from our Online Catalog. Please find the complete data in the user's documentation. Our General Terms of Use for Downloads are valid (<http://phoenixcontact.com/download>)



Energy storage device, lead AGM, VRLA technology, 24 V DC, 3.4 Ah, tool-free battery replacement, automatic detection, and communication with QUINT UPS-IQ

Product Description


For continuous monitoring and intelligent management, there is constant communication with the QUINT UPS. Thanks to automatic detection of the energy storage, and tool-free switching during operation, quick installation is possible. The QUINT UPS with IQ technology energy storage leaves the warehouse fully charged.

Your advantages

- Maximum buffer times
- Lead AGM (Absorbent Glass Mat) technology



Key Commercial Data

Packing unit	1 pc
GTIN	 4 046356 553360
GTIN	4046356553360

Technical data

Dimensions

Width	85 mm
Height	191 mm
Depth	110 mm
Installation distance right/left	0 mm / 0 mm
Installation distance top/bottom	50 mm / 50 mm

Ambient conditions

Degree of protection	IP20
Ambient temperature (operation)	0 °C ... 40 °C
Ambient temperature (storage/transport)	0 °C ... 40 °C
Max. permissible relative humidity (operation)	≤ 95 %

Energy storage - UPS-BAT/VRLA/24DC/3.4AH - 2320306

Technical data

Ambient conditions

Degree of pollution	2
---------------------	---

Input data

Nominal input voltage	24 V DC
Buffer period	4.5 min. (20 A)
	3 min. (25 A)

Output data

Nominal output voltage	24 V DC
Output current I _{max}	25 A
Connection in parallel	5
Connection in series	No
Output fuse	1x 25 A

General

IQ technology	Yes
Disposal	Used batteries must not be thrown away with household waste, they should instead be disposed of in accordance with applicable national regulations. They can also be returned to Phoenix Contact or the manufacturer.
Net weight	3.3 kg
Memory medium	Lead rechargeable battery module
Degree of protection	IP20
Protection class	III
Mounting position	horizontal DIN rail NS 35, EN 60715

Standards

Standard - Electrical safety	EN 60950-1/VDE 0805 (SELV)
Standard – Electronic equipment for use in electrical power installations and their assembly into electrical power installations	EN 50178/VDE 0160 (PELV)

Conformance/approvals

UL approvals	UL/C-UL listed UL 508
	UL/C-UL Recognized UL 60950-1
	UL ANSI/ISA-12.12.01 Class I, Division 2, Groups A, B, C, D (Hazardous Location)
Shipbuilding approval	DNV GL (EMC A), ABS

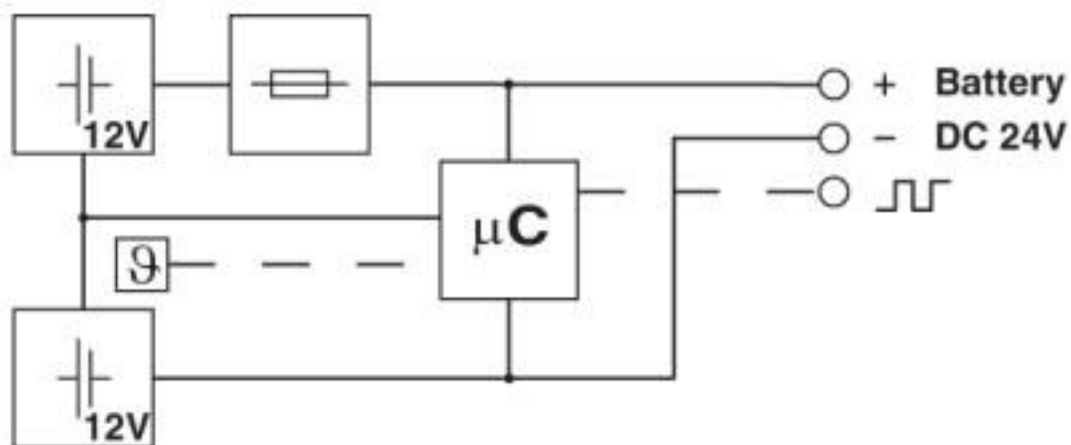
Environmental Product Compliance

REACH SVHC	Lead 7439-92-1
China RoHS	Environmentally Friendly Use Period = 3
	For details about hazardous substances go to tab "Downloads", Category "Manufacturer's declaration"

Drawings

Energy storage - UPS-BAT/VRLA/24DC/3.4AH - 2320306

Block diagram



Classifications

eCl@ss

eCl@ss 10.0.1	27050403
eCl@ss 4.0	27040600
eCl@ss 4.1	27040600
eCl@ss 5.0	27040600
eCl@ss 5.1	27040600
eCl@ss 6.0	27040600
eCl@ss 7.0	27050403
eCl@ss 8.0	27050403
eCl@ss 9.0	27050403

ETIM

ETIM 2.0	EC000382
ETIM 3.0	EC000382
ETIM 4.0	EC000357
ETIM 5.0	EC000357
ETIM 6.0	EC000357
ETIM 7.0	EC000357

UNSPSC

UNSPSC 6.01	30211510
UNSPSC 7.0901	39121011
UNSPSC 11	39121011
UNSPSC 12.01	39121011
UNSPSC 13.2	26111715
UNSPSC 18.0	26111715
UNSPSC 19.0	26111715
UNSPSC 20.0	26111715

Energy storage - UPS-BAT/VRLA/24DC/3.4AH - 2320306

Classifications

UNSPSC

UNSPSC 21.0	26111715
-------------	----------

Approvals

Approvals

Approvals

DNV GL / PRS / BV / LR / ABS / UL Listed / UL Recognized / cUL Recognized / cUL Listed / EAC / cULus Recognized / cULus Listed

Ex Approvals

UL Listed / cUL Listed / cULus Listed

Approval details

DNV GL		https://approvalfinder.dnvgl.com/	TAA0000265
Nominal voltage UN	500 V		
Nominal current IN	41 A		
mm ² /AWG/kcmil	6		

PRS		http://www.prs.pl/	TE/2103/880590/16
-----	--	-----------------------------------------------------	-------------------

BV		http://www.veristar.com/portal/veristarinfo/generalinfo/approved/approvedProducts/equipmentAndMaterials	41516/A0 BV
----	--	-------------------------------------------------------------------------------------------------------------------------------------------------------------------------------------------------------------------------------	-------------

LR		http://www.lr.org/en	17/20032
----	--	---------------------------------------------------------	----------

ABS	http://www.eagle.org/eagleExternalPortalWEB/		15-GD1438179-PDA
-----	---------------------------------------------------------------------------------------------------------	--	------------------

UL Listed		http://database.ul.com/cgi-bin/XYV/template/LISEXT/1FRAME/index.htm	FILE E 123528
-----------	--	-------------------------------------------------------------------------------------------------------------------------------------------------------	---------------

Energy storage - UPS-BAT/VRLA/24DC/3.4AH - 2320306

Approvals

UL Recognized		http://database.ul.com/cgi-bin/XYV/template/LISEXT/1FRAME/index.htm	FILE E 211944
---------------	--	-------------------------------------------------------------------------------------------------------------------------------------------------------	---------------

cUL Recognized		http://database.ul.com/cgi-bin/XYV/template/LISEXT/1FRAME/index.htm	FILE E 211944
----------------	--	-------------------------------------------------------------------------------------------------------------------------------------------------------	---------------

cUL Listed		http://database.ul.com/cgi-bin/XYV/template/LISEXT/1FRAME/index.htm	FILE E 123528
------------	--	-------------------------------------------------------------------------------------------------------------------------------------------------------	---------------

EAC			DE.A*81.*10695
-----	--	--	----------------

cULus Recognized			
------------------	--	--	--

cULus Listed			
--------------	--	--	--

Accessories

Accessories

Assembly adapter

Assembly adapters - QUINT-ADAPTER/4 - 2866857

Assembly adapter for QUINT-BAT/24DC... on 35mm rail



Battery unit

Energy storage - UPS-BAT/VRLA/24DC/3.4AH - 2320306

Accessories

Uninterruptible power supply replacement battery - UPS-BAT-KIT-VRLA 2X12V/3,4AH - 2908233



Replacement battery for UPS-BAT/VRLA... energy storage

Fuse

Fuse - SI FORM C 25 A DIN 72581 - 0913757



Flat-type plug-in fuse, type C, color code: white, nominal current: 25 A

Fuse - FUSE 25A/32V ATOF - 2908366



Fuse, nominal current: 25 A, length: 19.1 mm, width: 5 mm, height: 18.8 mm

Phoenix Contact 2020 © - all rights reserved
<http://www.phoenixcontact.com>

PHOENIX CONTACT GmbH & Co. KG

Flachsmarktstr. 8

32825 Blomberg

Germany

Tel. +49 5235 300

Fax +49 5235 3 41200

<http://www.phoenixcontact.com>

Mouser Electronics

Authorized Distributor

Click to View Pricing, Inventory, Delivery & Lifecycle Information:

[Phoenix Contact:](#)

[2320306](#)