

## System connection - PLC-V8/FLK14/OUT - 2295554


Please be informed that the data shown in this PDF Document is generated from our Online Catalog. Please find the complete data in the user's documentation. Our General Terms of Use for Downloads are valid (<http://phoenixcontact.com/download>)



V8 adapter for 8 x PLC-INTERFACE (6.2 mm), controller: PLC system cabling of output cards, connection 1: Screw connection 1x, connection 2: IDC/FLK pin strip 1x 14-position, connection 3: Plug connection (Can be snapped onto 8x PLC-INTERFACE terminals), number of channels: 8, control logic: positive switching



### Key Commercial Data

|              |   |
|--------------|---|
| Packing unit | 1 pc  |
| GTIN         | <br>4 017918 189143 |
| GTIN         | 4017918189143   |

### Technical data

#### Dimensions

|        |       |
|--------|-------|
| Width  | 50 mm |
| Height | 39 mm |
| Depth  | 56 mm |

#### Ambient conditions

|   |                  |
|---|------------------|
| Ambient temperature (operation)         | -40 °C ... 70 °C |
| Ambient temperature (storage/transport) | -40 °C ... 70 °C |
| Degree of protection                    | IP20             |

#### General

|  |                       |
|--|-----------------------|
| Max. permissible operating voltage               | 30 V DC               |
| Nominal voltage $U_N$                            | 24 V DC               |
| Max. perm. current (per branch)                  | 1 A (per signal path) |
| Max. permissible current (separate power supply) | 3 A                   |
| Number of positions                              | 14                    |
| Status display                                   | Green LED             |
| Mounting position                                | any                   |

#### Connection data

## System connection - PLC-V8/FLK14/OUT - 2295554

### Technical data

#### Connection data

|                                  |   |
|----------------------------------|---|
| Connection name                  | Supply                                      |
| Connection in acc. with standard | IEC / EN                                    |
| Connection method                | Screw connection                            |
| Stripping length                 | 8 mm  |
| Screw thread                     | M3  |
| Number of connections            | 1   |
| Conductor cross section solid    | 0.2 mm <sup>2</sup> ... 4 mm <sup>2</sup>   |
| Conductor cross section flexible | 0.2 mm <sup>2</sup> ... 2.5 mm <sup>2</sup> |
| Conductor cross section AWG      | 24 ... 12                                   |

#### Connection data 2

|                       |                   |
|-----------------------|-------------------|
| Connection name       | Controller level  |
| Connection method     | IDC/FLK pin strip |
| Number of connections | 1                 |
| Number of positions   | 14                |
| Pitch                 | 2.54 mm           |

#### Connection data 3

|                   |  |
|-------------------|--|
| Connection name   | Field level                                    |
| Connection method | Plug connection                                |
| Note              | Can be snapped onto 8x PLC-INTERFACE terminals |

#### Supported controller

|                     |                             |
|---------------------|-----------------------------|
| Controller          | SIEMENS S7-1500             |
| - suitable I/O card | 6ES7 522-1BH00-0AB0         |
|                     | 6ES7 522-1BH01-0AB0         |
|                     | 6ES7 522-1BL00-0AB0         |
|                     | 6ES7 522-1BL01-0AB0         |
| Controller          | SIEMENS S7-400              |
| - suitable I/O card | 6ES7 422-1BL00-0AA0         |
|                     | 6ES7 422-7BL00-0AB0         |
| Controller          | ALLEN-BRADLEY ControlLogix  |
| - suitable I/O card | 1756-OB32                   |
|                     | 1756-OB16E                  |
| Controller          | ALLEN-BRADLEY PLC 5         |
| - suitable I/O card | 1771 OBN                    |
| Controller          | ALLEN-BRADLEY SLC 500       |
| - suitable I/O card | 1746 OB 32                  |
| Controller          | HONEYWELL Experion PKS C200 |
| - suitable I/O card | TC-ODD 321                  |
| Controller          | MITSUBISHI MELSEC Q         |
| - suitable I/O card | QY81P                       |

## System connection - PLC-V8/FLK14/OUT - 2295554

### Technical data

#### Supported controller

|                     |                           |
|---------------------|---------------------------|
|                     | QY82P                     |
| Controller          | SIEMENS S7-300 / ET 200 M |
| - suitable I/O card | CPU 313C-2DP              |
|                     | CPU 314C-2DP              |
|                     | CPU 314C-2PtP             |
|                     | 6ES7 322-1BH01-0AA0       |
|                     | 6ES7 322-1BL00-0AA0       |
|                     | 6ES7 323-1BH01-0AA0       |
|                     | 6ES7 323-1BL00-0AA0       |
|                     | CPU 313C                  |
|                     | CPU 313C-2PtP             |
| Controller          | ABB S800 I/O              |
| - suitable I/O card | DO810                     |
|                     | DO840                     |
| Controller          | Emerson DeltaV            |
| - suitable I/O card | VE4002S1T1B3              |
|                     | VE4002S1T2B3              |
|                     | VE4002S1T2B3 Series 2     |
|                     | VE4002S1T2B6              |
| Controller          | GE-FANUC RX3i             |
| - suitable I/O card | IC694MDL754               |
| Controller          | MITSUBISHI MELSEC L       |
| - suitable I/O card | LY41PT1P                  |
|                     | LY42PT1P                  |

#### Standards and Regulations

|                                  |                                |
|----------------------------------|--------------------------------|
| Connection in acc. with standard | CUL                            |
| Standards/regulations            | IEC 60664                      |
|                                  | DIN EN 50178                   |
| Rated insulation voltage         | 50 V                           |
| Rated surge voltage              | 0.5 kV (Functional insulation) |
| Pollution degree                 | 2                              |
| Overvoltage category             | II                             |

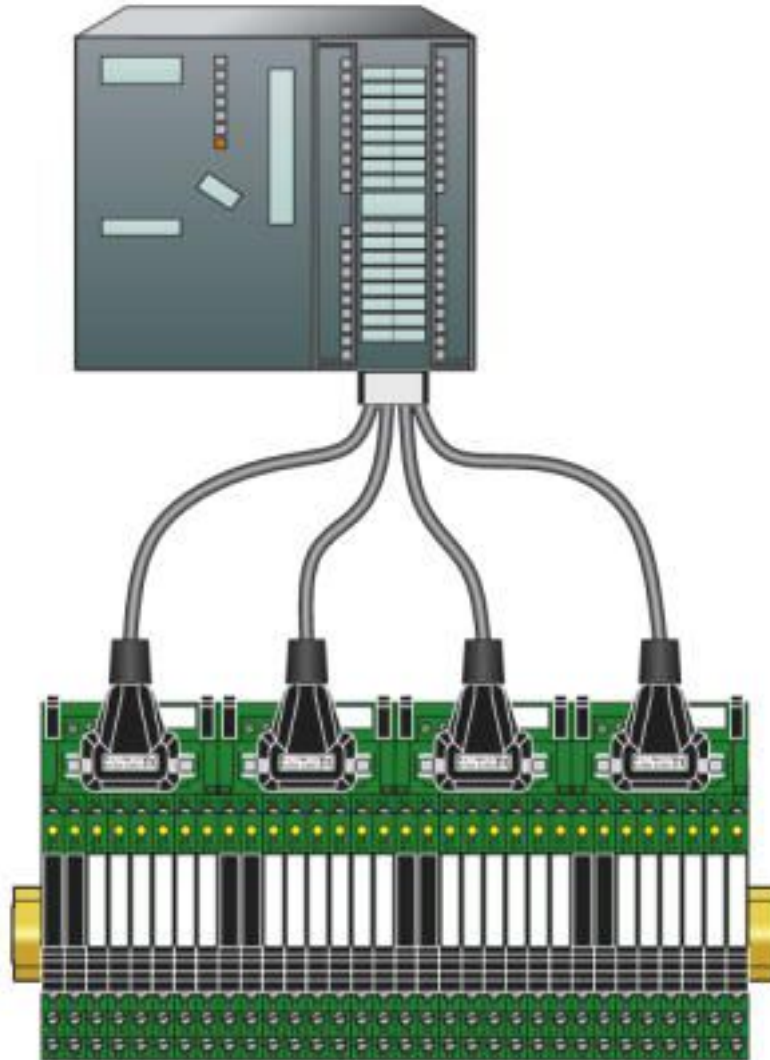
#### Environmental Product Compliance

|            |   |
|------------|---|
| REACH SVHC | Lead 7439-92-1  |
| China RoHS | Environmentally Friendly Use Period = 50 years  |
|            | For details about hazardous substances go to tab "Downloads", Category "Manufacturer's declaration" |

### Drawings

## System connection - PLC-V8/FLK14/OUT - 2295554

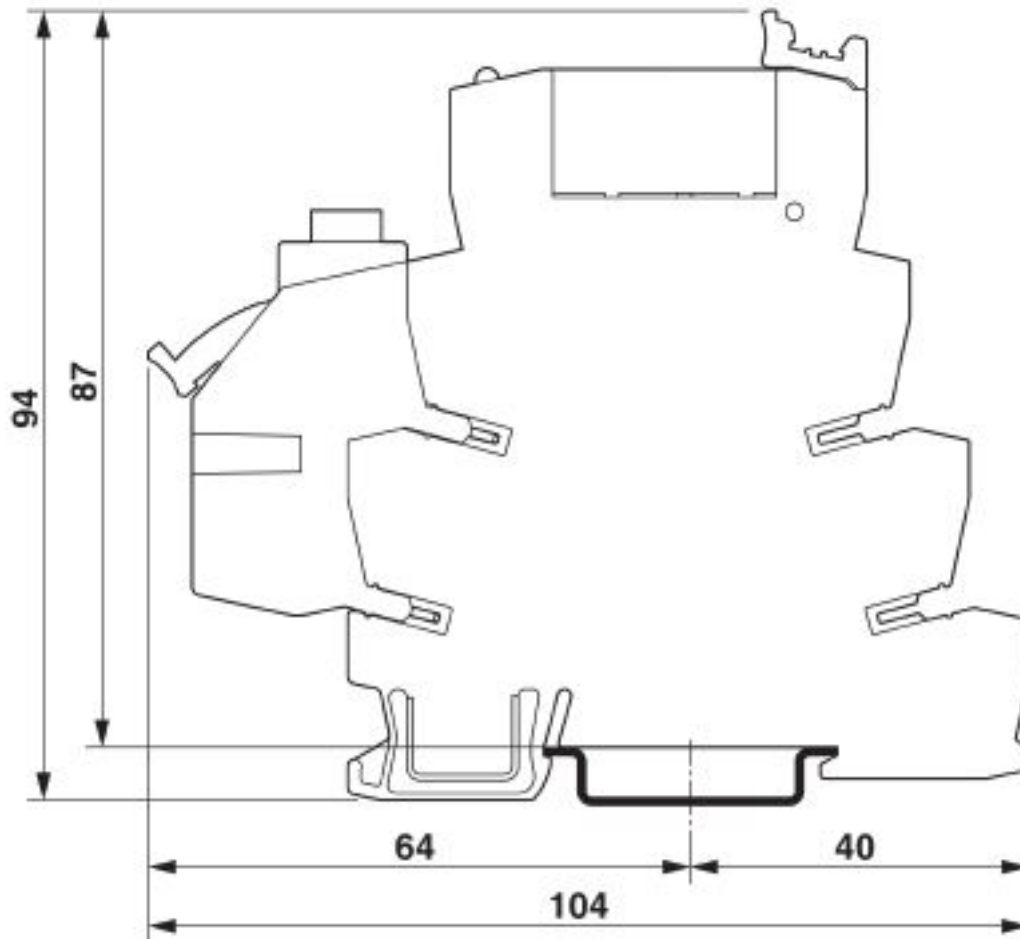
Application drawing



Wiring with V8 adapter

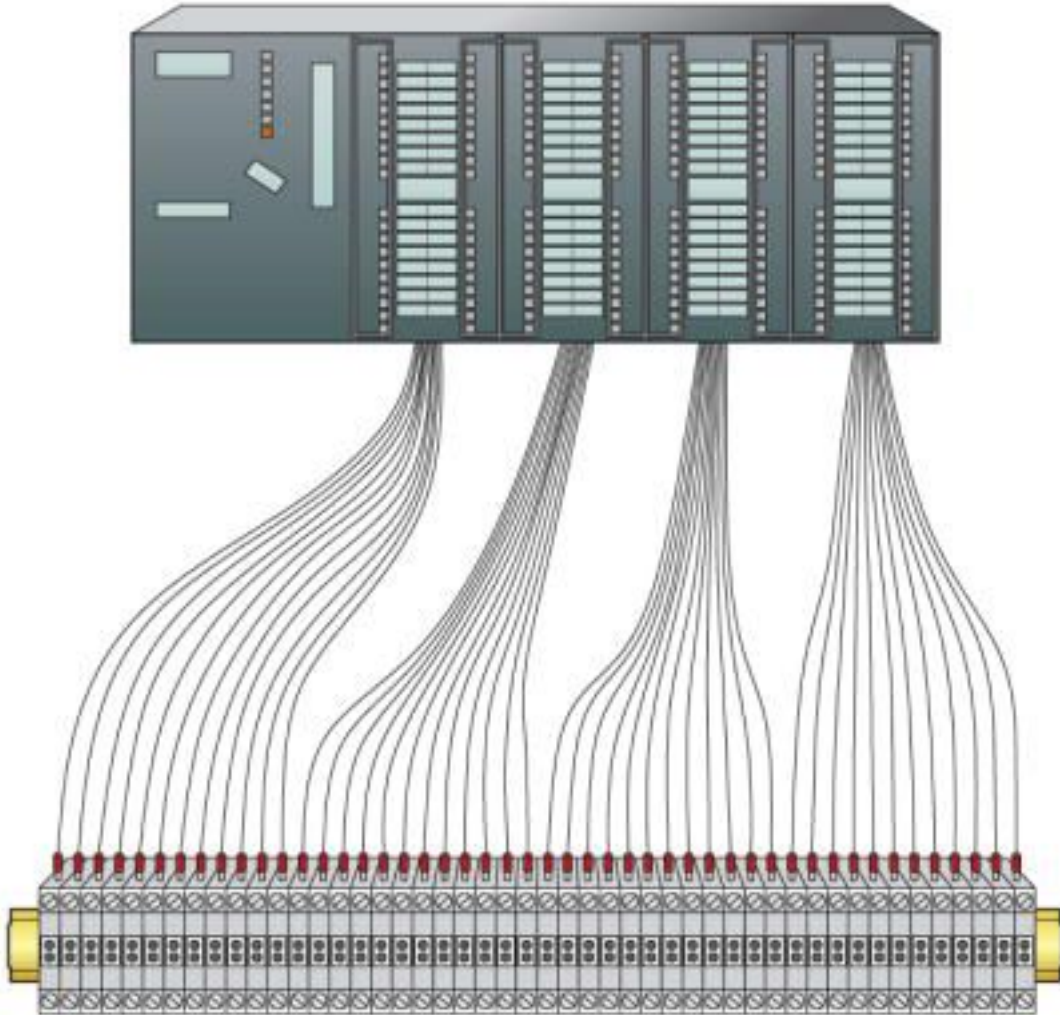
## System connection - PLC-V8/FLK14/OUT - 2295554

Dimensional drawing



## System connection - PLC-V8/FLK14/OUT - 2295554

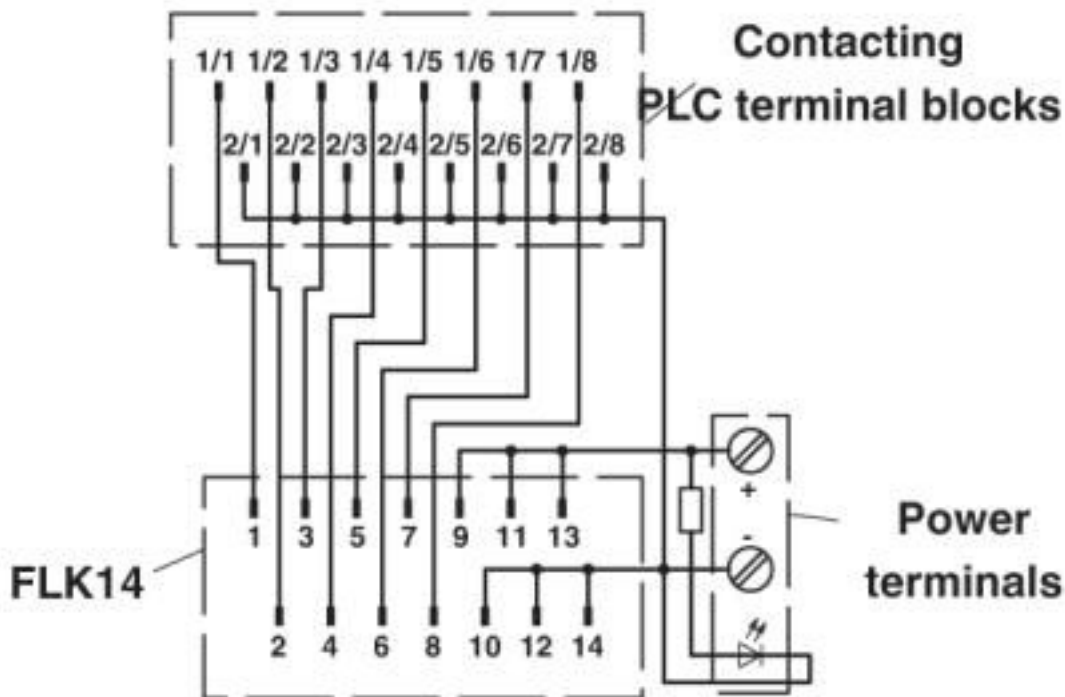
Application drawing



Conventional wiring

## System connection - PLC-V8/FLK14/OUT - 2295554

Circuit diagram



PLC-V8/FLK14/OUT connection scheme

### Classifications

eCl@ss

|               |          |
|---------------|----------|
| eCl@ss 10.0.1 | 27141152 |
| eCl@ss 4.0    | 27250300 |
| eCl@ss 4.1    | 27250300 |
| eCl@ss 5.0    | 27242700 |
| eCl@ss 5.1    | 27242700 |
| eCl@ss 6.0    | 27242200 |
| eCl@ss 7.0    | 27141152 |
| eCl@ss 8.0    | 27141152 |
| eCl@ss 9.0    | 27141152 |

ETIM

|          |          |
|----------|----------|
| ETIM 5.0 | EC002780 |
| ETIM 6.0 | EC002780 |
| ETIM 7.0 | EC002780 |

UNSPSC

|               |          |
|---------------|----------|
| UNSPSC 6.01   | 30211824 |
| UNSPSC 7.0901 | 39121402 |

# System connection - PLC-V8/FLK14/OUT - 2295554

## Classifications

### UNSPSC

|              |          |
|--------------|----------|
| UNSPSC 11    | 39121402 |
| UNSPSC 12.01 | 39121402 |
| UNSPSC 13.2  | 39121432 |
| UNSPSC 18.0  | 39121432 |
| UNSPSC 19.0  | 39121432 |
| UNSPSC 20.0  | 39121432 |
| UNSPSC 21.0  | 39121432 |

## Approvals

### Approvals

#### Approvals

PRS / UL Listed / UL Recognized / cUL Recognized / cUL Listed / EAC / DNV GL / cULus Recognized / cULus Listed

#### Ex Approvals

UL Listed / cUL Listed / cULus Listed

### Approval details

|     |  |   |                   |
|-----|--|---|-------------------|
| PRS |  | <a href="http://www.prs.pl/">http://www.prs.pl/</a> | TE/2109/880590/16 |
|-----|--|---|-------------------|

|           |  |   |               |
|-----------|--|---|---------------|
| UL Listed |  | <a href="http://database.ul.com/cgi-bin/XYV/template/LISEXT/1FRAME/index.htm">http://database.ul.com/cgi-bin/XYV/template/LISEXT/1FRAME/index.htm</a> | FILE E 172140 |
|-----------|--|---|---------------|

|               |  |   |               |
|---------------|--|---|---------------|
| UL Recognized |  | <a href="http://database.ul.com/cgi-bin/XYV/template/LISEXT/1FRAME/index.htm">http://database.ul.com/cgi-bin/XYV/template/LISEXT/1FRAME/index.htm</a> | FILE E 238705 |
|---------------|--|---|---------------|

|                    |      |
|--------------------|------|
| Nominal voltage UN | 24 V |
| Nominal current IN | 1 A  |

|                |  |   |               |
|----------------|--|---|---------------|
| cUL Recognized |  | <a href="http://database.ul.com/cgi-bin/XYV/template/LISEXT/1FRAME/index.htm">http://database.ul.com/cgi-bin/XYV/template/LISEXT/1FRAME/index.htm</a> | FILE E 238705 |
|----------------|--|---|---------------|

|                    |      |
|--------------------|------|
| Nominal voltage UN | 24 V |
|--------------------|------|



## System connection - PLC-V8/FLK14/OUT - 2295554

### Approvals

|                    |     |
|--------------------|-----|
| Nominal current IN | 1 A |
|--------------------|-----|

|            |  |   |               |
|------------|--|---|---------------|
| cUL Listed |  | <a href="http://database.ul.com/cgi-bin/XYV/template/LISEXT/1FRAME/index.htm">http://database.ul.com/cgi-bin/XYV/template/LISEXT/1FRAME/index.htm</a> | FILE E 172140 |
|------------|--|---|---------------|

|     |  |  |                          |
|-----|--|--|--------------------------|
| EAC |  |  | RU C-<br>DE.A*30.B.01742 |
|-----|--|--|--------------------------|

|        |  |   |               |
|--------|--|---|---------------|
| DNV GL |  | <a href="https://approvalfinder.dnvgl.com/">https://approvalfinder.dnvgl.com/</a> | TAE0000196-03 |
|--------|--|---|---------------|

|                  |  |  |  |
|------------------|--|--|--|
| cULus Recognized |  |  |  |
|------------------|--|--|--|

|              |  |  |  |
|--------------|--|--|--|
| cULus Listed |  |  |  |
|--------------|--|--|--|

### Accessories

#### Necessary add-on products

##### Relay Module - PLC-RPT- 24DC/21 - 2900299



PLC-INTERFACE, consisting of PLC-BPT.../21 basic terminal block with push-in technology and plug-in miniature relay with power contact, for mounting on NS 35/7,5 DIN rails, 1 PDT, input voltage: 24 V DC

##### Relay Module - PLC-RSC- 24DC/21 - 2966171



PLC relay, consisting of base terminal block PLC-BSC.../21 with screw connection and pluggable miniature relay with power contact, for assembly on DIN rail NS 35/7.5, 1 PDT, input voltage 24 V DC

## System connection - PLC-V8/FLK14/OUT - 2295554

### Accessories

#### Relay Module - PLC-RPT- 24DC/21AU - 2900306



PLC-INTERFACE, consisting of PLC-BPT.../21 basic terminal block with push-in connection and plug-in miniature relay with multi-layer gold contact, for mounting on DIN rail NS 35/7,5, 1 PDT, input voltage 24 V DC

---

#### Relay Module - PLC-RSC- 24DC/21AU - 2966265



PLC-INTERFACE, consisting of PLC-BSC.../21 basic terminal block with screw connection and plug-in miniature relay with multi-layer gold contact, for mounting on DIN rail NS 35/7,5, 1 PDT, input voltage 24 V DC

---

#### Relay Module - PLC-RPT- 24UC/21AU - 2900307



PLC-INTERFACE, consisting of PLC-BPT.../21 basic terminal block with push-in connection and plug-in miniature relay with multi-layer gold contact, for mounting on DIN rail NS 35/7,5, 1 PDT, input voltage 24 V AC/DC

---

#### Relay Module - PLC-RSC- 24UC/21AU - 2966278



PLC-INTERFACE, consisting of PLC-BSC.../21 basic terminal block with screw connection and plug-in miniature relay with multi-layer gold contact, for mounting on DIN rail NS 35/7,5, 1 PDT, input voltage 24 V AC/DC

---

#### Switch - PLC-RPT- 24UC/ 1/S/H - 2900328



PLC-INTERFACE with switch (operation by hand) and integrated power contact relay for the "Manual, Zero and Automatic" functions, with push-in connection, for mounting on DIN rail NS 35/7.5, one N/O contact, input voltage 24 V AC/DC

---

## System connection - PLC-V8/FLK14/OUT - 2295554

### Accessories

Switch - PLC-RSC- 24UC/ 1/S/H - 2982236



PLC-INTERFACE with switch (operation by hand) for the "Manual, Zero, and Automatic" functions, with screw connection and integrated power contact relay, for mounting on DIN rail NS 35/7,5, 1 N/O contact, input voltage 24 V AC/DC

---

Solid-state relay module - PLC-OPT- 24DC/ 24DC/2 - 2900364



PLC-INTERFACE, consisting of PLC-BPT.../21 basic terminal block with push-in connection and plug-in miniature solid-state relay, for mounting on DIN rail NS 35/7,5, 1 N/O contact, input: 24 V DC, output: 3 - 33 V DC/3 A

---

Solid-state relay module - PLC-OSC- 24DC/ 24DC/ 2 - 2966634



PLC-INTERFACE, consisting of PLC-BSC.../21 basic terminal block with screw connection and plug-in miniature solid-state relay, for mounting on DIN rail NS 35/7,5, 1 N/O contact, input: 24 V DC, output: 3 - 33 V DC/3 A

---

Solid-state relay module - PLC-OPT- 24DC/ 24DC/10/R - 2900398



PLC-INTERFACE with confirmation contact, consisting of basic terminal block with push-in connection and integrated miniature solid-state relay, for mounting on DIN rail NS 35/7,5, 1 N/O contact, input: 24 V DC, output: 3 - 33 V DC/10 A

---

Solid-state relay module - PLC-OSC- 24DC/ 24DC/ 10/R - 2982702



PLC-INTERFACE with checkback contact, consisting of basic terminal block with screw connection and integrated miniature solid-state relay, for mounting on DIN rail NS 35/7,5, 1 N/O contact, input: 24 V DC, output: 3 ... 33 V DC/10 A

---

## System connection - PLC-V8/FLK14/OUT - 2295554

### Accessories

Solid-state relay module - PLC-OPT- 24DC/230AC/1 - 2900369



PLC-INTERFACE, consisting of PLC-BPT.../21 basic terminal block with push-in connection and plug-in miniature solid-state relay, for mounting on DIN rail NS 35/7,5, 1 N/O contact, input: 24 V DC, output: 24 - 253 V AC/0.75 A

---

Solid-state relay module - PLC-OSC- 24DC/230AC/ 1 - 2967840



PLC-INTERFACE, consisting of PLC-BSC.../21 basic terminal block with screw connection and plug-in miniature solid-state relay, for mounting on DIN rail NS 35/7,5, 1 N/O contact, input: 24 V DC, output: 24 - 253 V AC/0.75 A

---

Solid-state relay module - PLC-OPT- 24DC/300DC/1 - 2900383



PLC-INTERFACE, integrated solid-state relay, with push-in connection, for mounting on NS 35/7,5 DIN rails, input: 24 V DC, output: 12 - 300 V DC/1 A

---

Solid-state relay module - PLC-OSC- 24DC/300DC/ 1 - 2980678



PLC-INTERFACE, integrated solid-state relay, with screw connection, for mounting on NS 35/7,5 DIN rails, input: 24 V DC, output: 12 - 300 V DC/1 A

---

Solid-state relay module - PLC-OPT- 24DC/ 48DC/100 - 2900352



PLC-INTERFACE, consisting of PLC-BPT.../21 basic terminal block with push-in connection and plug-in miniature solid-state relay, for mounting on DIN rail NS 35/7,5, 1 N/O contact, input: 24 V DC, output: 3 - 48 V DC/100 mA

---

## System connection - PLC-V8/FLK14/OUT - 2295554

### Accessories

Solid-state relay module - PLC-OSC- 24DC/ 48DC/100 - 2966728



PLC-INTERFACE, consisting of PLC-BSC.../21 basic terminal block with screw connection and plug-in miniature solid-state relay, for mounting on DIN rail NS 35/7,5, 1 N/O contact, input: 24 V DC, output: 3 - 48 V DC/100 mA

---

Solid-state relay module - PLC-OPT- 24DC/ 48DC/500/W - 2900378



PLC-INTERFACE with electronic PDT contact, consisting of PLC-BPT.../21 basic terminal block with push-in connection and integrated miniature solid-state relay, for mounting on DIN rail NS 35/7,5, 1 PDT, input: 24 V DC, output: 3 - 48 V DC/500 mA

---

Solid-state relay module - PLC-OSC- 24DC/ 48DC/500/W - 2980636



PLC electronic PDT, integrated optocoupler, with screw connection, for mounting on DIN rail NS 35/7.5, input: 24 V DC, output: 3 - 48 V DC/500 mA

---

Feed-through terminal block - PLC-VT - 2296870



VARIOFACE feed-through terminal block (2-conductor screw connection), for PLC-INTERFACE universal series

---

Feed-through terminal block - PLC-VT/LA - 2296854



VARIOFACE feed-through terminal block (2-conductor screw connection), for PLC-INTERFACE universal series, with 24 V DC LED display

---

## System connection - PLC-V8/FLK14/OUT - 2295554

### Accessories

#### Relay Module - PLC-RPT- 24DC/ 1/ACT - 2900312



PLC-INTERFACE for output functions, consisting of PLC-BPT.../ACT basic terminal block with push-in connection and plug-in miniature relay with power contact, for mounting on DIN rail NS 35/7,5, 1 N/O contact, input voltage 24 V DC

---

#### Relay Module - PLC-RSC- 24DC/ 1/ACT - 2966210



PLC-INTERFACE for output functions, consisting of PLC-BSC.../ACT basic terminal block with screw connection and plug-in miniature relay with power contact, for mounting on DIN rail NS 35/7,5, 1 N/O contact, input voltage 24 V DC

---

#### Solid-state relay module - PLC-OPT- 24DC/ 24DC/2/ACT - 2900376



PLC-INTERFACE for output functions, consisting of PLC-BPT.../ACT basic terminal block with push-in connection and plug-in miniature solid-state relay, for mounting on DIN rail NS 35/7,5, 1 N/O contact, input: 24 V DC, output: 3 - 33 V DC/3 A

---

#### Solid-state relay module - PLC-OSC- 24DC/ 24DC/ 2/ACT - 2966676



PLC-INTERFACE for output functions, consisting of PLC-BSC.../ACT basic terminal block with screw connection and plug-in miniature solid-state relay, for mounting on DIN rail NS 35/7,5, 1 N/O contact, input: 24 V DC, output: 3 - 33 V DC/3 A

---

#### Solid-state relay module - PLC-OSC- 24DC/230AC/ 1/ACT - 2967947



PLC-INTERFACE for output functions, consisting of PLC-BSC.../ACT basic terminal block with screw connection and plug-in miniature solid-state relay, for mounting on DIN rail NS 35/7,5, 1 N/O contact, input: 24 V DC, output: 24 ... 253 V AC/0.75 A

---

## System connection - PLC-V8/FLK14/OUT - 2295554

### Accessories

Feed-through terminal block - PLC-VT/ACT - 2295567



VARIOFACE feed-through terminal block (3-conductor screw connection), for PLC-INTERFACE actuator series

---

Feed-through terminal block - PLC-VT/ACT/LA - 2296867



VARIOFACE feed-through terminal block (3-conductor screw connection), for PLC-INTERFACE actuator series, with 24 V DC LED display

---

---

Phoenix Contact 2020 © - all rights reserved  
<http://www.phoenixcontact.com>

PHOENIX CONTACT GmbH & Co. KG  
Flachsmarktstr. 8  
32825 Blomberg  
Germany  
Tel. +49 5235 300  
Fax +49 5235 3 41200  
<http://www.phoenixcontact.com>

# Mouser Electronics

Authorized Distributor

Click to View Pricing, Inventory, Delivery & Lifecycle Information:

[Phoenix Contact:](#)

[2295554](#)