

Housing - HC-B 24-AML - 1771930


Please be informed that the data shown in this PDF Document is generated from our Online Catalog. Please find the complete data in the user's documentation. Our General Terms of Use for Downloads are valid (<http://phoenixcontact.com/download>)



HEAVYCON B24 panel mounting base, with single locking latch, height: 29 mm, with flat gasket



Key Commercial Data

Packing unit	10 pc
GTIN	 4 017918 036614
GTIN	4017918036614

Technical data

Dimensions

Height	29 mm
Width	43 mm
Length	140 mm
Length of the assembly cutout	113 mm
Width of the assembly cutout	35 mm

Ambient conditions

Degree of protection of housing (IP)	IP65 (When plugged in)
Ambient temperature (operation)	-40 °C ... 125 °C

General

Note	For contact inserts HC-B24, BB46, BBB64, D64, DD108, M
Size	B24
Housing type	Panel mounting base
Locking type	with single locking latch
Torque	1.5 Nm ... 2 Nm (Mounting screw)
Screw connection	none
Housing material	Aluminum die-cast
Housing surface material	Powder-coated, gray

Housing - HC-B 24-AML - 1771930

Technical data

General

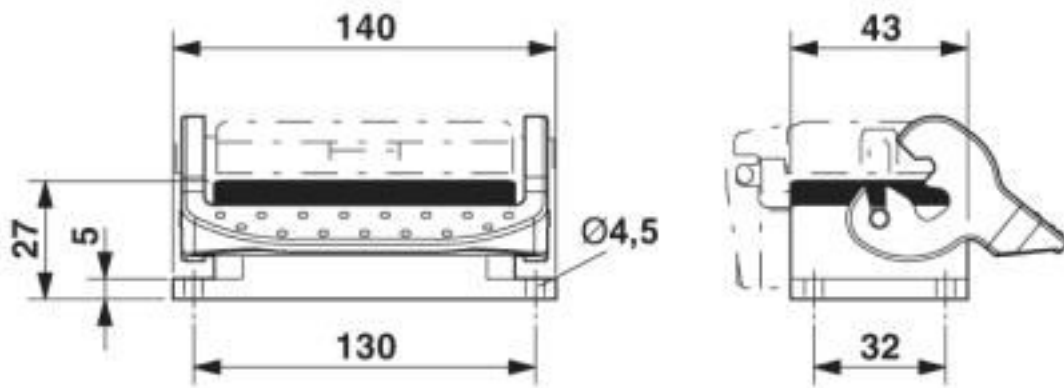
Material lock	Stainless steel, handle: PA
Material grip body interlock	PA

Environmental Product Compliance

China RoHS	Environmentally friendly use period: unlimited = EFUP-e
	No hazardous substances above threshold values

Drawings

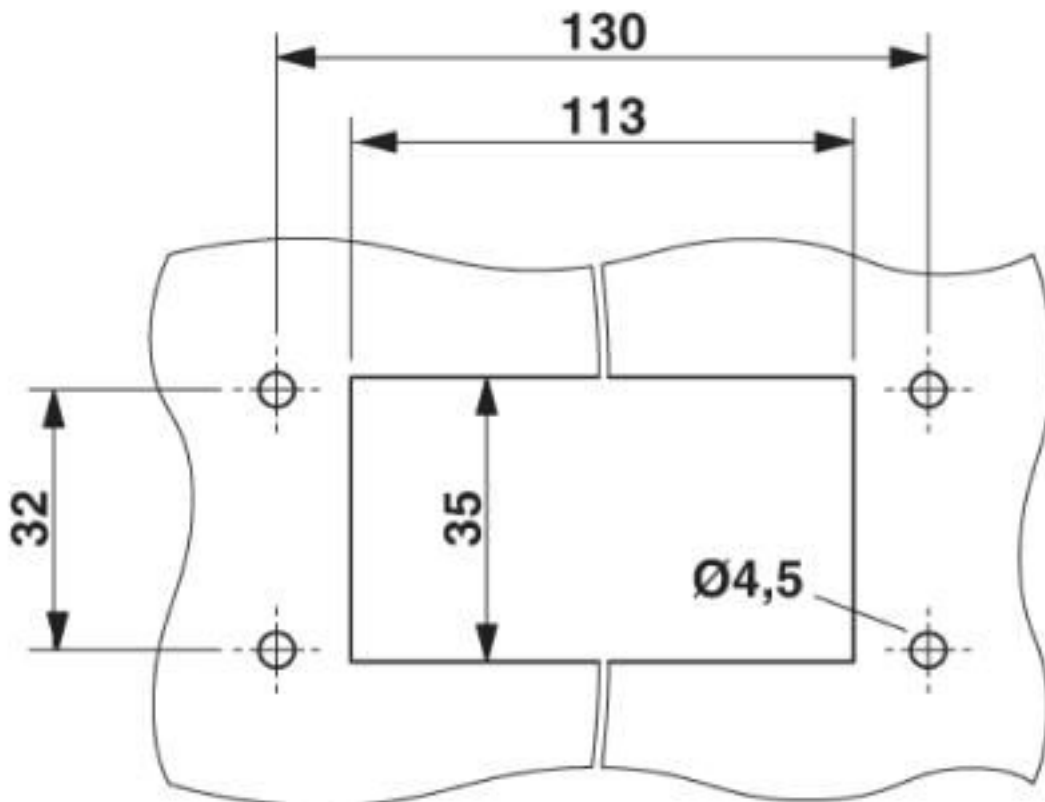
Dimensional drawing



Dimensional drawing

Housing - HC-B 24-AML - 1771930

Dimensional drawing



Mounting cutout

Classifications

eCl@ss

eCl@ss 10.0.1	27440202
eCl@ss 4.0	27140800
eCl@ss 4.1	27140800
eCl@ss 5.0	27143400
eCl@ss 5.1	27261200
eCl@ss 6.0	27261200
eCl@ss 7.0	27440202
eCl@ss 8.0	27440202
eCl@ss 9.0	27440202

ETIM

ETIM 2.0	EC000437
ETIM 3.0	EC000437
ETIM 4.0	EC000437
ETIM 5.0	EC000437

Housing - HC-B 24-AML - 1771930

Classifications

ETIM

ETIM 6.0	EC000437
ETIM 7.0	EC000437

UNSPSC

UNSPSC 6.01	31261502
UNSPSC 7.0901	31261502
UNSPSC 11	31261502
UNSPSC 12.01	31261502
UNSPSC 13.2	31261501
UNSPSC 18.0	31261501
UNSPSC 19.0	31261501
UNSPSC 20.0	31261501
UNSPSC 21.0	31261501

Approvals

Approvals

Approvals

EAC

Ex Approvals

Approval details

EAC		RU C- DE.AI30.B.01102
-----	--	--------------------------

Accessories

Accessories

Housing latches

Housing brackets - HC-B 24-LB - 1584677



Replacement plastic single locking latch for standard housings of type B24

Housing - HC-B 24-AML - 1771930

Accessories

Seal

Profile gasket - HC-B 24-PR-DI - 1663048



Profile gasket for type B24 supporting base element

Flat gasket - HC-B 24-FL-DI - 1774665



Replacement flange seal, for HEAVYCON panel mounting base of type: B24, self-adhesive, not for HC-...EMC housings, color: Black

Seal - HC-B 24-FL-DI-N - 1411465



Replacement flange seal, for HEAVYCON type B24 panel mounting base, latching, for panel mounting base with snapped-on flat gaskets, not for HC-...EMV housing, color: black

Phoenix Contact 2020 © - all rights reserved
<http://www.phoenixcontact.com>

PHOENIX CONTACT GmbH & Co. KG
Flachsmarktstr. 8
32825 Blomberg
Germany
Tel. +49 5235 300
Fax +49 5235 3 41200
<http://www.phoenixcontact.com>

Mouser Electronics

Authorized Distributor

Click to View Pricing, Inventory, Delivery & Lifecycle Information:

[Phoenix Contact:](#)

[1771930](#)