

DIN rail adapter - NBC-PP-G1PGY - 1041740

Please be informed that the data shown in this PDF Document is generated from our Online Catalog. Please find the complete data in the user's documentation. Our General Terms of Use for Downloads are valid (<http://phoenixcontact.com/download>)



DIN rail adapter, type: Headers with shielding, degree of protection: IP20, material: PC-GF10, without assembled modules

Product Description


Compact DIN rail adapter with optional overall shielding braid, with dust protection cover, one-piece design

Your advantages

- ✓ For distributing copper and fiber optic cabling
- ✓ Assembly without special tools
- ✓ Compact design: 1TE (DIN 43880)
- ✓ One-Piece Design
- ✓ Front release without special tool
- ✓ Optional overall shielding braid for copper modules
- ✓ Security elements available as accessories
- ✓ Marking service: Phoenix Contact can custom-mark all labels according to your requirements
- ✓ Adapter-less integration of module inserts



Key Commercial Data

| | |
|--------------|---|
| Packing unit | 1 pc |
| GTIN |  4 055626 598666 |
| GTIN | 4055626598666 |

Technical data

Mechanical characteristics

| | |
|--|------------------------|
| Number of slots | 1 |
| Weight | 29.4 g |
| Type | Headers with shielding |
| Flammability rating according to UL 94 | V0 |

Ambient conditions

DIN rail adapter - NBC-PP-G1PGY - 1041740

Technical data

Ambient conditions

| | |
|---------------------------------|------------------|
| Ambient temperature (operation) | -10 °C ... 60 °C |
| Degree of protection | IP20 |

Material data

| | |
|--------------------------|--|
| Contact surface material | Tin |
| Contact material | CuSn6 |
| Housing material | PC-GF10 |
| Width | 18 mm |
| Height | 80 mm |
| Depth | 64.6 mm |
| Material | PP (Dust protection flap) |
| Mounting type | DIN rail: 35 mm |
| Assembly instructions | Dust cover not compatible with FO module inserts |

Electrical characteristics

| | |
|--------------------|----------------------------------|
| Contact resistance | ≤ 5 mΩ (Shield-ground, optional) |
|--------------------|----------------------------------|

Standards and Regulations

| | |
|--|----|
| Flammability rating according to UL 94 | V0 |
|--|----|

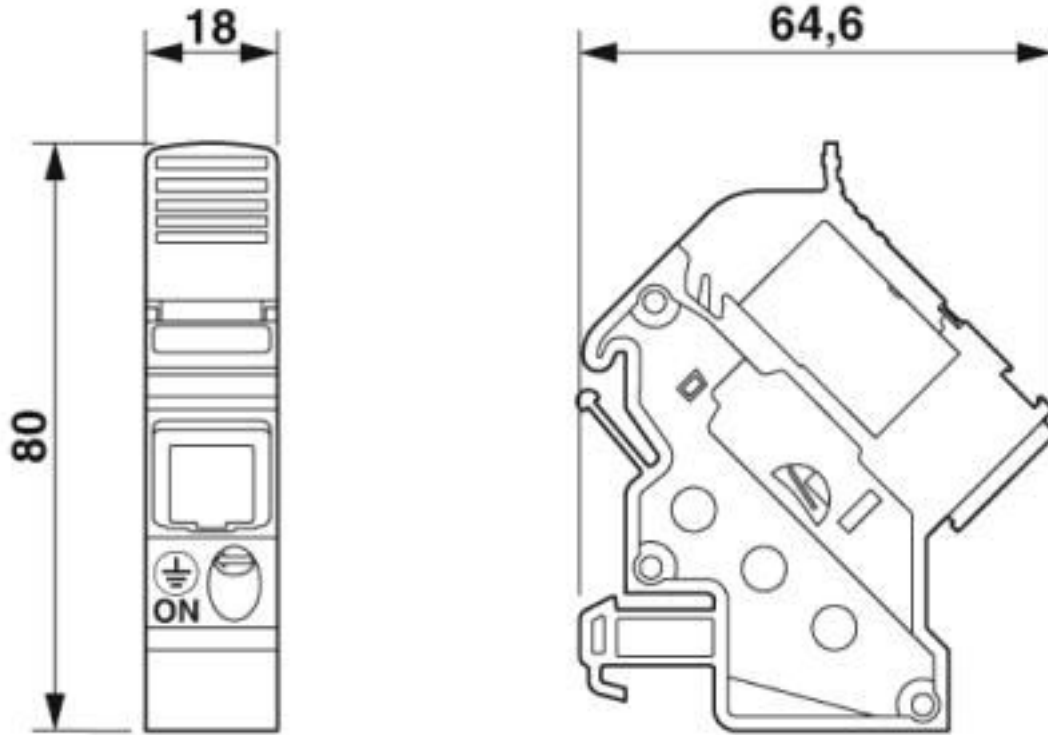
Environmental Product Compliance

| | |
|------------|---|
| China RoHS | Environmentally friendly use period: unlimited = EFUP-e |
| | No hazardous substances above threshold values |

Drawings

DIN rail adapter - NBC-PP-G1PGY - 1041740

Dimensional drawing



Classifications

eCl@ss

| | |
|---------------|----------|
| eCl@ss 10.0.1 | 27060308 |
| eCl@ss 7.0 | 27060308 |
| eCl@ss 9.0 | 27060308 |

ETIM

| | |
|----------|----------|
| ETIM 6.0 | EC001262 |
| ETIM 7.0 | EC001262 |

Approvals

Approvals

Approvals

EAC

Ex Approvals

Approval details

DIN rail adapter - NBC-PP-G1PGY - 1041740

Approvals

| | | |
|-----|---|---------|
| EAC |  | B.01687 |
|-----|---|---------|

Accessories

Accessories

DIN rail

DIN rail perforated - NS 35/ 7,5 PERF 1155MM - 1207666



DIN rail perforated, Standard profile, width: 35 mm, height: 7.5 mm, acc. to EN 60715, material: Steel, galvanized, passivated with a thick layer, length: 1155 mm, color: silver

Female insert

RJ45 socket insert - CUC-I-J1ZNI-S/R4IDC8 - 1417274



RJ45 socket insert, type: RJ45, degree of protection: IP20, number of positions: 8, 10 Gbps, CAT6_A, material: Zinc die-cast, connection method: IDC connection, connection cross section: AWG 26- 22, cable outlet: straight, Adapter-free design

RJ45 coupling - CUC-I-D1ZNI-S/R4GC8 - 1041760



RJ45 coupling, degree of protection: IP20, number of positions: 8, 10 Gbps, CAT6_A, material: Zinc die-cast, connection method: 2x RJ45, Adapter-free design

Fiber optic coupling - FOC-I-D1PGY-S/MPAGC - 1041820



Fiber optic coupling, degree of protection: IP20, connection method: Coupling, cable outlet: straight

DIN rail adapter - NBC-PP-G1PGY - 1041740

Accessories

Fiber optic coupling - FOC-I-D1PGY-S/MPBGC - 1041840



Fiber optic coupling, degree of protection: IP20, connection method: Coupling, cable outlet: straight

Dust protection cover - NBC-PP-P1PGY:10 - 1041860



Dust protection cover

Plug Guard Security Frame - NBC-PP-F1PWH:10 - 1041881



Plug Guard Security Frame

Port Guard Security Element - NBC-PP-A1PRD:10 - 1041900



Port Guard Security Element

Fiber optic coupling - FOC-I-D1PGN-S/LCGCSM - 1041780



Fiber optic coupling, type: LC, degree of protection: IP20, material: PBT, connection method: Coupling, cable outlet: straight

DIN rail adapter - NBC-PP-G1PGY - 1041740

Accessories

Fiber optic coupling - FOC-I-D1PGR-S/SCGCSM - 1041800



Fiber optic coupling, type: SC, degree of protection: IP20, material: PBT, connection method: Coupling, cable outlet: straight

Labeled terminal marker

Marker for terminal blocks - UC-TMF 16 CUS - 0824678



Marker for terminal blocks, can be ordered: by sheet, white, labeled according to customer specifications, mounting type: snap into flat marker groove, for terminal block width: 16 mm, lettering field size: 15.45 x 5.1 mm, Number of individual labels: 32

Marker for terminal blocks - UC-TMF 16 RD CUS - 0824682



Marker for terminal blocks, can be ordered: by sheet, red, labeled according to customer specifications, mounting type: snap into flat marker groove, for terminal block width: 16 mm, lettering field size: 15.45 x 5.1 mm, Number of individual labels: 32

Marker for terminal blocks - UC-TMF 16 BU CUS - 0824679



Marker for terminal blocks, can be ordered: by sheet, blue, labeled according to customer specifications, mounting type: snap into flat marker groove, for terminal block width: 16 mm, lettering field size: 15.45 x 5.1 mm, Number of individual labels: 32

Marker for terminal blocks - UC-TMF 16 OG CUS - 0824681



Marker for terminal blocks, can be ordered: by sheet, orange, labeled according to customer specifications, mounting type: snap into flat marker groove, for terminal block width: 16 mm, lettering field size: 15.45 x 5.1 mm, Number of individual labels: 32

DIN rail adapter - NBC-PP-G1PGY - 1041740

Accessories

Marker for terminal blocks - UC-TMF 16 VT CUS - 0824683



Marker for terminal blocks, can be ordered: by sheet, violet, labeled according to customer specifications, mounting type: snap into flat marker groove, for terminal block width: 16 mm, lettering field size: 15.45 x 5.1 mm, Number of individual labels: 32

Marker for terminal blocks - UC-TMF 16 YE CUS - 0824684



Marker for terminal blocks, can be ordered: by sheet, yellow, labeled according to customer specifications, mounting type: snap into flat marker groove, for terminal block width: 16 mm, lettering field size: 15.45 x 5.1 mm, Number of individual labels: 32

Marker for terminal blocks - UC-TMF 16 GN CUS - 0824680



Marker for terminal blocks, can be ordered: by sheet, green, labeled according to customer specifications, mounting type: snap into flat marker groove, for terminal block width: 16 mm, lettering field size: 15.45 x 5.1 mm, Number of individual labels: 32

Mounting rail adapter

DIN rail adapter - FL DIN RA - 2891053



The FL DIN RA is installed in a standard, 19-inch rack (EIA-310-D, IEC 60297-3-100) to allow DIN rail mounted equipment to be rack mounted.

Terminal marking

Marker for terminal blocks - UC-TMF 16 - 0819262



Marker for terminal blocks, Sheet, white, unlabeled, can be labeled with: BLUEMARK ID COLOR, BLUEMARK ID, BLUEMARK CLED, PLOTMARK, CMS-P1-PLOTTER, mounting type: snap into flat marker groove, for terminal block width: 16 mm, lettering field size: 15.45 x 5.1 mm, Number of individual labels: 32

DIN rail adapter - NBC-PP-G1PGY - 1041740

Accessories

Marker for terminal blocks - UC-TMF 16 VT - 0822699



Marker for terminal blocks, Sheet, violet, unlabeled, can be labeled with: BLUEMARK ID COLOR, BLUEMARK ID, BLUEMARK CLED, PLOTMARK, CMS-P1-PLOTTER, mounting type: snap into flat marker groove, for terminal block width: 16 mm, lettering field size: 15.45 x 5.1 mm, Number of individual labels: 32

Marker for terminal blocks - UC-TMF 16 YE - 0819259



Marker for terminal blocks, Sheet, yellow, unlabeled, can be labeled with: BLUEMARK ID COLOR, BLUEMARK ID, BLUEMARK CLED, PLOTMARK, CMS-P1-PLOTTER, mounting type: snap into flat marker groove, for terminal block width: 16 mm, lettering field size: 15.45 x 5.1 mm, Number of individual labels: 32

Marker for terminal blocks - UC-TMF 16 GN - 0817921



Marker for terminal blocks, Sheet, green, unlabeled, can be labeled with: BLUEMARK ID COLOR, BLUEMARK ID, BLUEMARK CLED, PLOTMARK, CMS-P1-PLOTTER, mounting type: snap into flat marker groove, for terminal block width: 16 mm, lettering field size: 15.45 x 5.1 mm, Number of individual labels: 32

Marker for terminal blocks - UC-TMF 16 OG - 0817811



Marker for terminal blocks, Sheet, orange, unlabeled, can be labeled with: BLUEMARK ID COLOR, BLUEMARK ID, BLUEMARK CLED, PLOTMARK, CMS-P1-PLOTTER, mounting type: snap into flat marker groove, for terminal block width: 16 mm, lettering field size: 15.45 x 5.1 mm, Number of individual labels: 32

Marker for terminal blocks - UC-TMF 16 BU - 0817905



Marker for terminal blocks, Sheet, blue, unlabeled, can be labeled with: BLUEMARK ID COLOR, BLUEMARK ID, BLUEMARK CLED, PLOTMARK, CMS-P1-PLOTTER, mounting type: snap into flat marker groove, for terminal block width: 16 mm, lettering field size: 15.45 x 5.1 mm, Number of individual labels: 32

DIN rail adapter - NBC-PP-G1PGY - 1041740

Accessories

Marker for terminal blocks - UC-TMF 16 RD - 0817824



Marker for terminal blocks, Sheet, red, unlabeled, can be labeled with: BLUEMARK ID COLOR, BLUEMARK ID, BLUEMARK CLED, PLOTMARK, CMS-P1-PLOTTER, mounting type: snap into flat marker groove, for terminal block width: 16 mm, lettering field size: 15.45 x 5.1 mm, Number of individual labels: 32

Necessary add-on products

RJ45 socket insert - CUC-I-J1ZNI-S/R4IDC8 - 1417274



RJ45 socket insert, type: RJ45, degree of protection: IP20, number of positions: 8, 10 Gbps, CAT6_A, material: Zinc die-cast, connection method: IDC connection, connection cross section: AWG 26- 22, cable outlet: straight, Adapter-free design

RJ45 coupling - CUC-I-D1ZNI-S/R4GC8 - 1041760



RJ45 coupling, degree of protection: IP20, number of positions: 8, 10 Gbps, CAT6_A, material: Zinc die-cast, connection method: 2x RJ45, Adapter-free design

Fiber optic coupling - FOC-I-D1PGN-S/LCGCSM - 1041780



Fiber optic coupling, type: LC, degree of protection: IP20, material: PBT, connection method: Coupling, cable outlet: straight

Fiber optic coupling - FOC-I-D1PGR-S/SCGCSM - 1041800



Fiber optic coupling, type: SC, degree of protection: IP20, material: PBT, connection method: Coupling, cable outlet: straight

DIN rail adapter - NBC-PP-G1PGY - 1041740

Accessories

Fiber optic coupling - FOC-I-D1PGY-S/MPAGC - 1041820



Fiber optic coupling, degree of protection: IP20, connection method: Coupling, cable outlet: straight

Fiber optic coupling - FOC-I-D1PGY-S/MPBGC - 1041840



Fiber optic coupling, degree of protection: IP20, connection method: Coupling, cable outlet: straight

Phoenix Contact 2020 © - all rights reserved
<http://www.phoenixcontact.com>

PHOENIX CONTACT GmbH & Co. KG
Flachsmarktstr. 8
32825 Blomberg
Germany
Tel. +49 5235 300
Fax +49 5235 3 41200
<http://www.phoenixcontact.com>

Mouser Electronics

Authorized Distributor

Click to View Pricing, Inventory, Delivery & Lifecycle Information:

[Phoenix Contact:](#)

[1041740](#)